

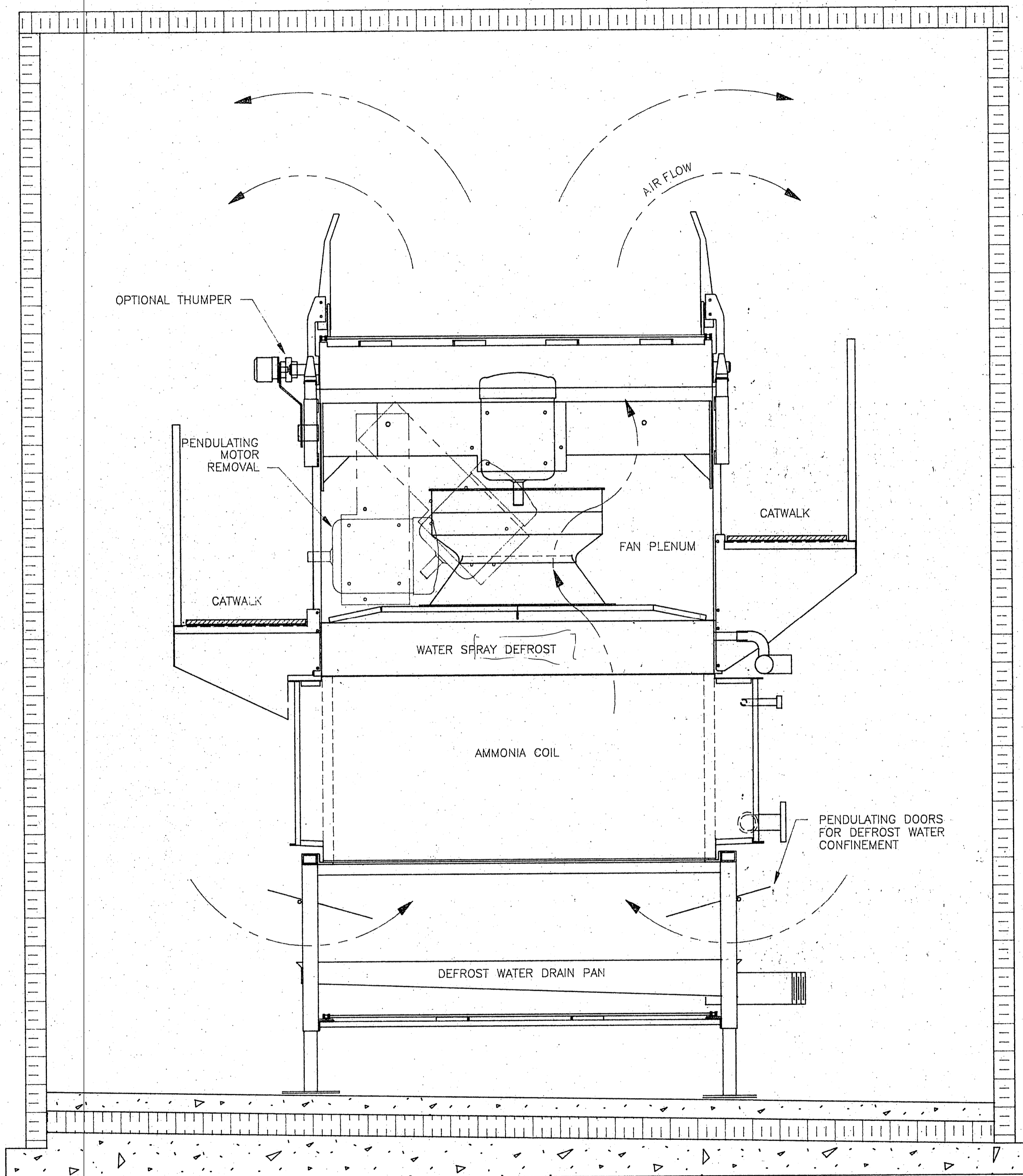
16,000 LBS/HR PEAS & CORN  
TUNNEL LAYOUT  
for

# SYMONS FROZEN FOODS

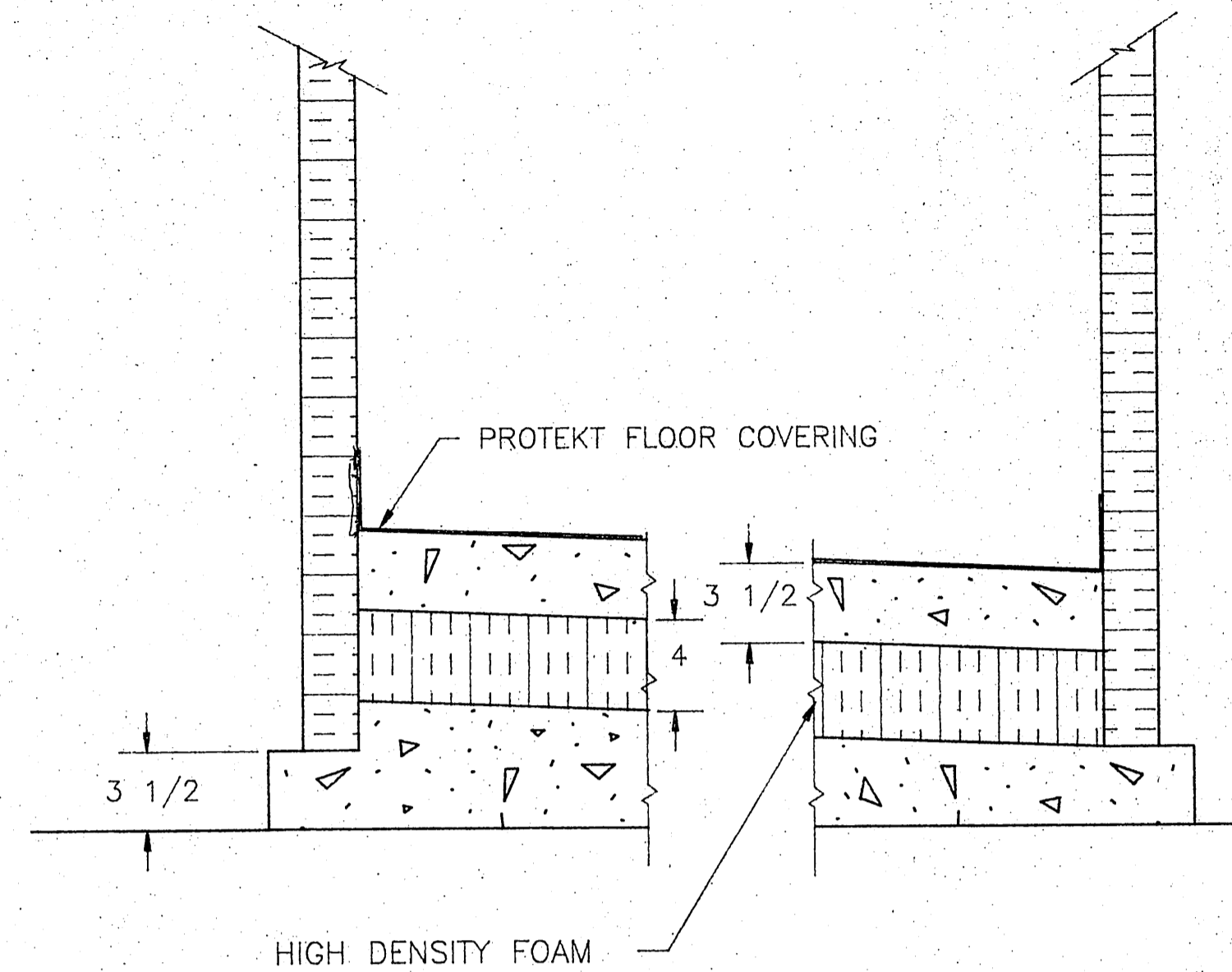
Centralia, Washington

by  
**CLOUDY + BRITTON**  
CLOUDY+BRITTON, INC.  
REFRIGERATION & MFG.  
6202 214th STREET S.W.  
MOUNTLAKE TERRACE  
WASHINGTON 98043  
(206)775-7424 FAX (206)775-1715

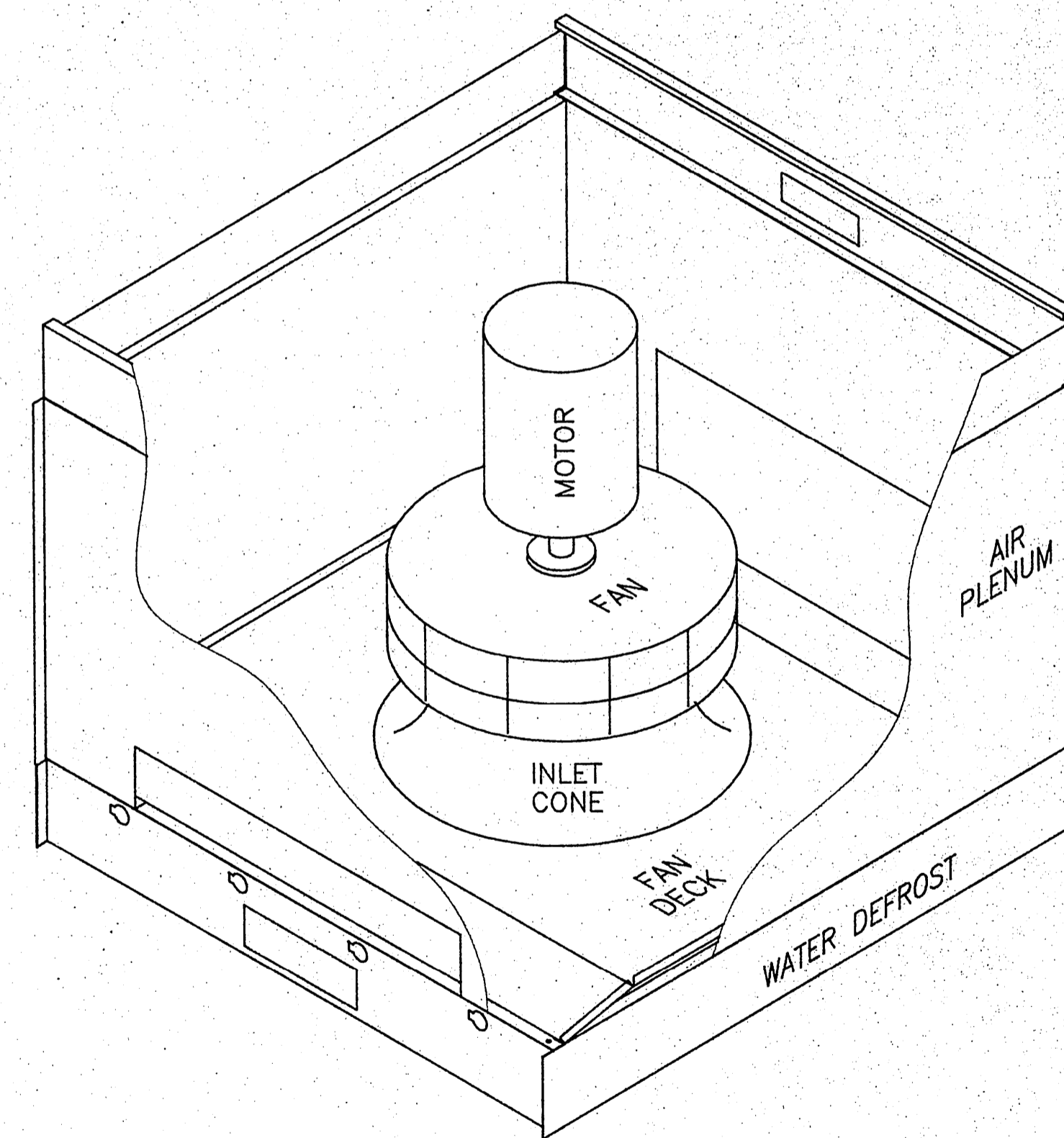
SCALE: 1/4" = 1'-0" [ ] = METERS  
DIMENSIONS FOR ILLUSTRATION ONLY



TYP. TUNNEL SECTION



SUGGESTED ENCLOSURE DETAIL



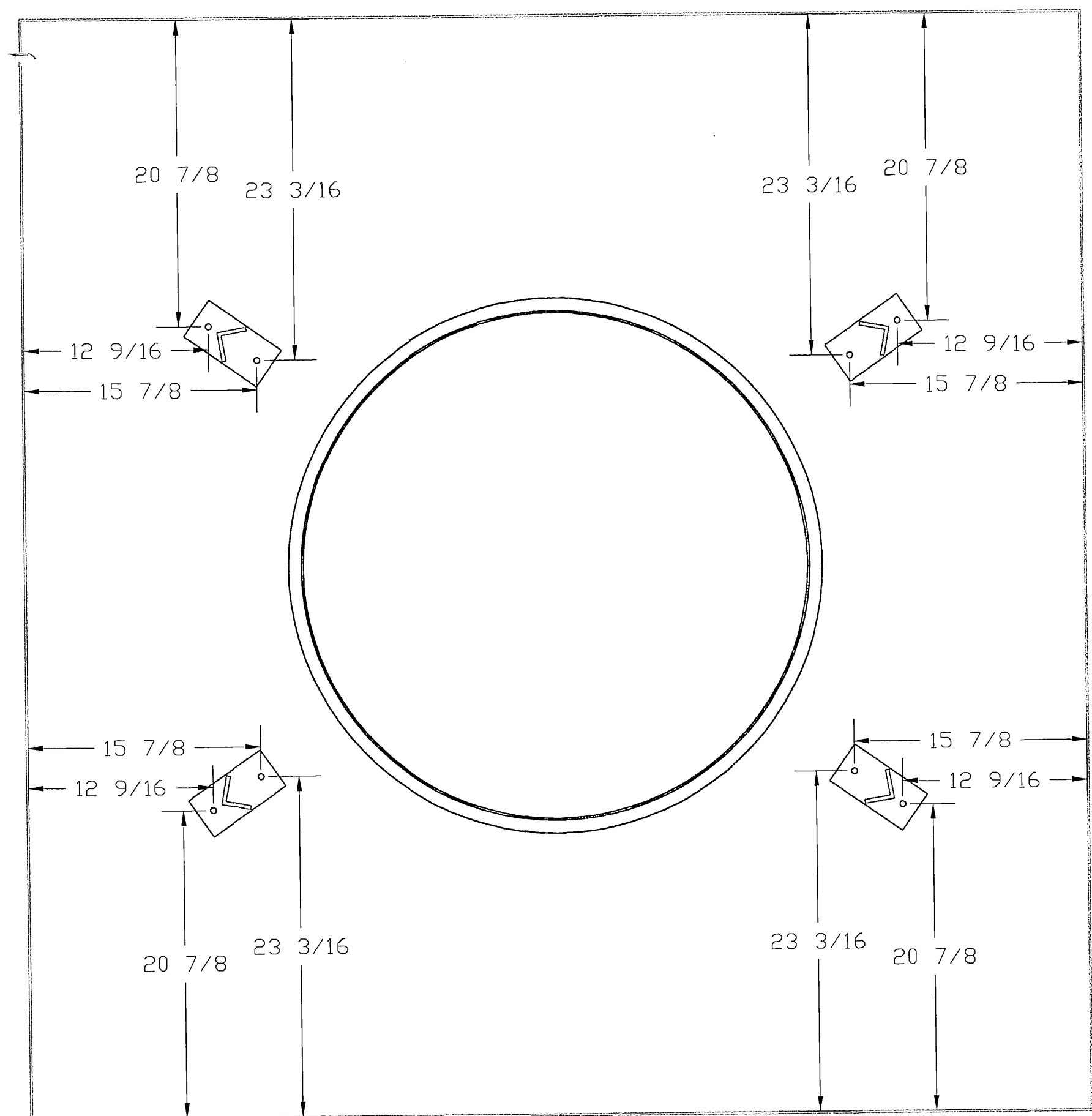
PLENUM ISOMETRIC

CLOUDY +  
BRITTON

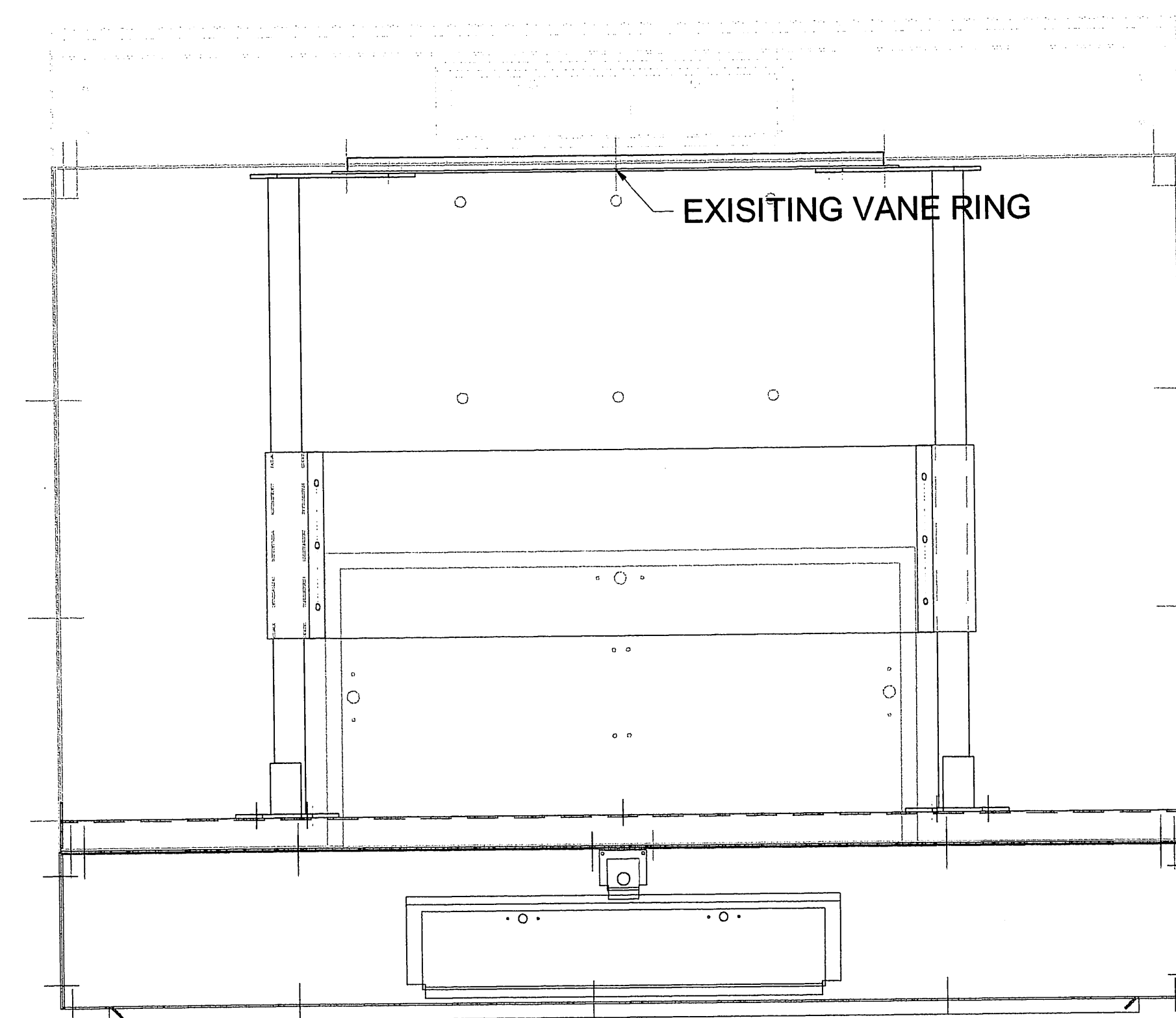
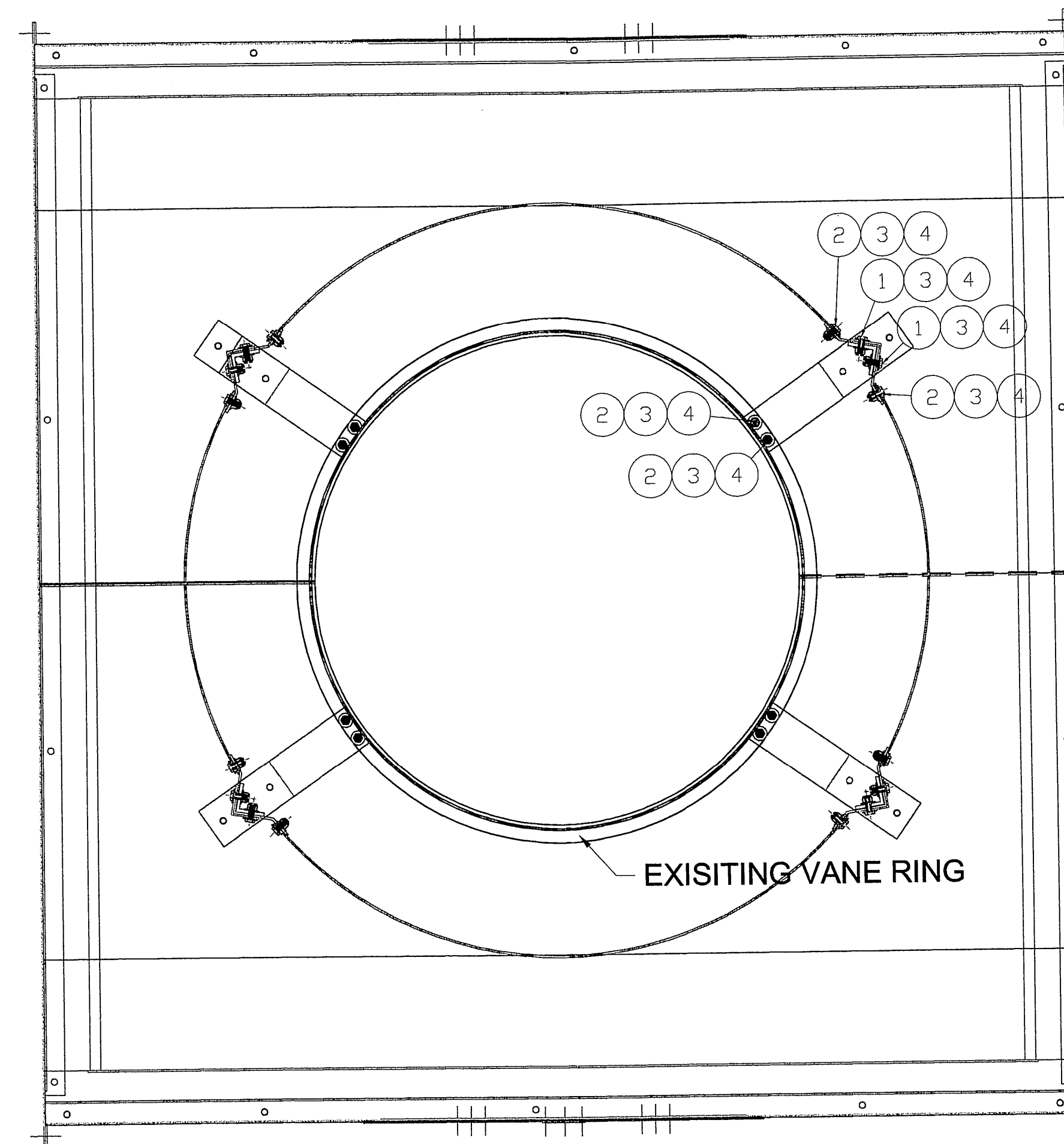
Cloudy + Britton, Inc.  
Refrigeration & Mfg.  
6202 214th Street S.W.

Mountlake Terrace  
Washington 98043  
(206)775-7424\*FX 775-1715

| HARDWARE:                             |     |                              |  |
|---------------------------------------|-----|------------------------------|--|
| JOB NAME: SYMONS FROZEN FOODS         |     | DATE: 11/24/99               |  |
| DWG TITLE: VANE & BAFFLE INSTALLATION |     | DWG #: 8487-000              |  |
| TAG                                   | QTY | DESCRIPTION                  |  |
| 1                                     | 24  | 3/8" UNC SS BOLT 1 1/4" LONG |  |
| 2                                     | 96  | 3/8" UNC SS BOLT 1" LONG     |  |
| 3                                     | 120 | 3/8" UNC SS NYLOCK           |  |
| 4                                     | 240 | 3/8" SS WASHER               |  |



PLENUM WALL



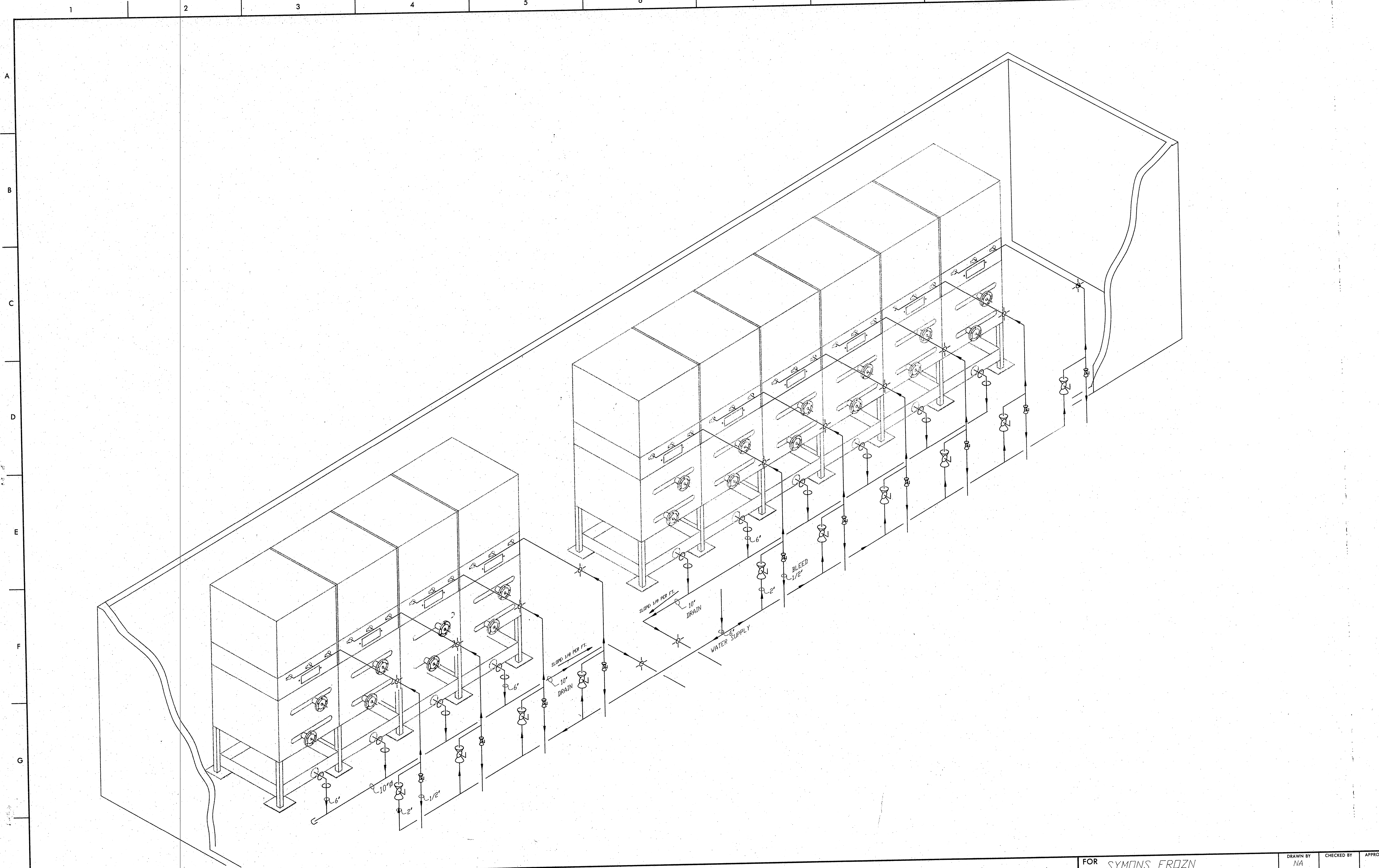
THE DESIGN DRAWING AND SPECIFICATIONS ARE THE SOLE PROPERTY OF CLOUDY & BRITTON, INC. NO PART OF THIS DESIGN THEREIN ARE NOT TO BE COPIED, SOLD, TRANSMITTED, OR REPRODUCED IN ANY MANNER WITHOUT THE WRITTEN PERMISSION OF CLOUDY & BRITTON, INC.

FOR SYMONS FROZEN FOODS  
CENTRALIA, WA  
TITLE NEW VANE & BAFFLE

6202 214th St. S.W., Mountlake Terrace, WA - 98053  
Phone (425) 775-7424 • Fax (425) 775-1775  
14780 SW Ogrey Drive • Beaverton, OR • 97007  
Phone (503) 521-8824 • Fax (503) 521-8135

**Cloudy & Britton, Inc.**

DRAWN BY: JGR  
CHECKED BY:  
DATE: 11/24/99  
SCALE: 1 1/2" = 1'  
JOB #: 8



THE DESIGN DRAWING AND SPECIFICATION IS THE EXCLUSIVE PROPERTY OF CLOUDY + BRITTON, INC. IT AND/OR THE DESIGN THEREIN ARE NOT TO BE COPIED, SOLD, TRANSFERRED, OR REPRODUCED IN ANY WAY AND IS SUBJECT TO RETURN ON DEMAND. THE ITEMS DESCRIBED MAY NOT BE BUILT OR ASSEMBLED OR ITS DESIGN CRITERIA DISCLOSED TO OTHER PARTIES WITHOUT THE EXPRESSED WRITTEN PERMISSION OF CLOUDY + BRITTON, INC.

CLOUDY + BRITTON, INC.  
REFRIGERATION & MFG.  
6202 214th AVENUE S.W.

MOUNTLAKE TERRACE  
WASHINGTON 98043  
(206)775-7424

CLOUDY +  
BRITTON

FOR SYMONS FROZEN  
CENTRALIA, WA.

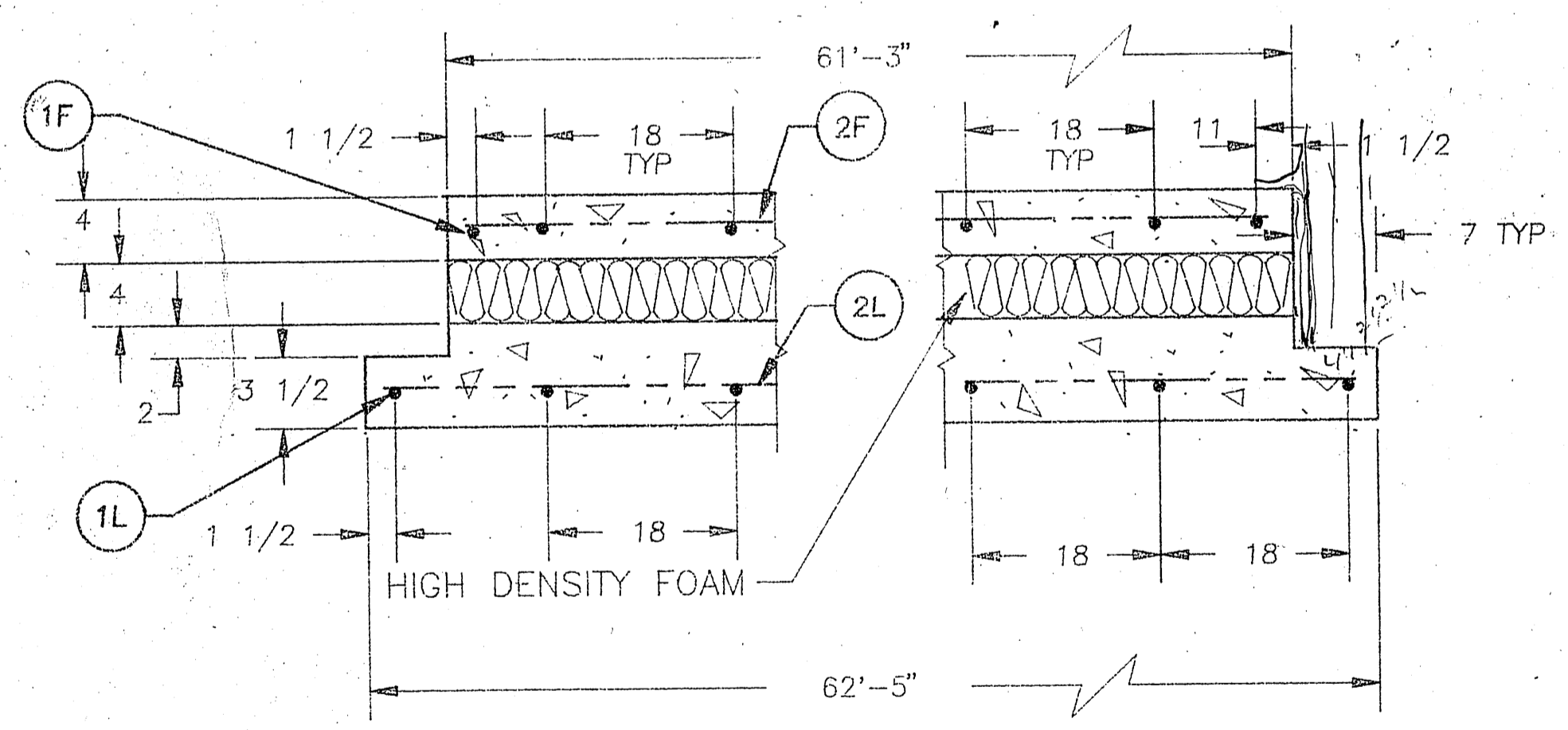
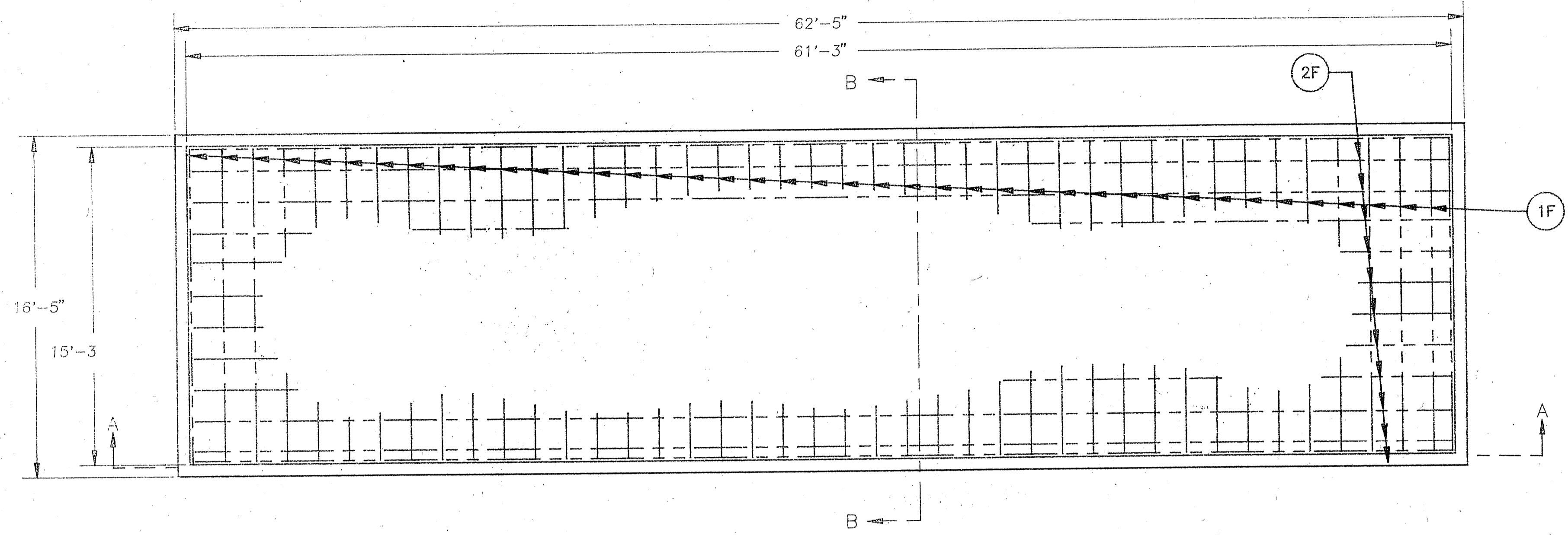
TITLE WATER DEFROST PIPING ISOMETRIC

|                     |                            |             |
|---------------------|----------------------------|-------------|
| DRAWN BY<br>NA      | CHECKED BY                 | APPROVED BY |
| DATE<br>4/6/94      | SCALE<br>NONE              |             |
| JOB NUMBER<br>7365K | DRAWING NUMBER<br>7365-202 | REV.        |

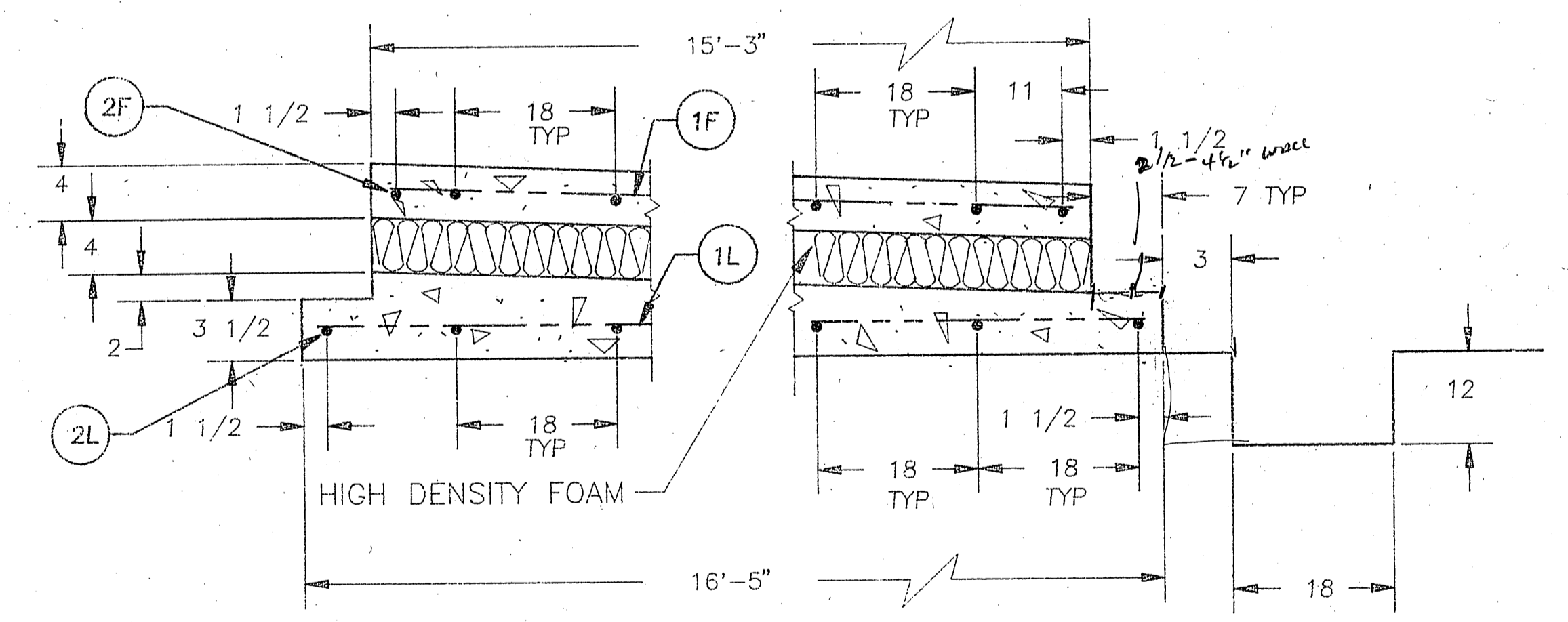
| REV. | BY | DATE | DESCRIPTION |
|------|----|------|-------------|
|      |    |      |             |
|      |    |      |             |
|      |    |      |             |
|      |    |      |             |

Cdb-Rev 10/93 Form T103

| REBAR SCH |     |      |        |          |
|-----------|-----|------|--------|----------|
| NUM       | QTY | SIZE | LENGTH | SHAPE    |
| 1F        | 42  | 5/8  | 60'-0" | STRAIGHT |
| 2F        | 12  | 5/8  | 15'-0" | STRAIGHT |
| 1L        | 42  | 5/8  | 62'-2" | STRAIGHT |
| 2L        | 12  | 5/8  | 16'-2" | STRAIGHT |



SECTION A-A  
FLOOR DETAIL  
NTS



SECTION B-B  
FLOOR DETAIL  
NTS

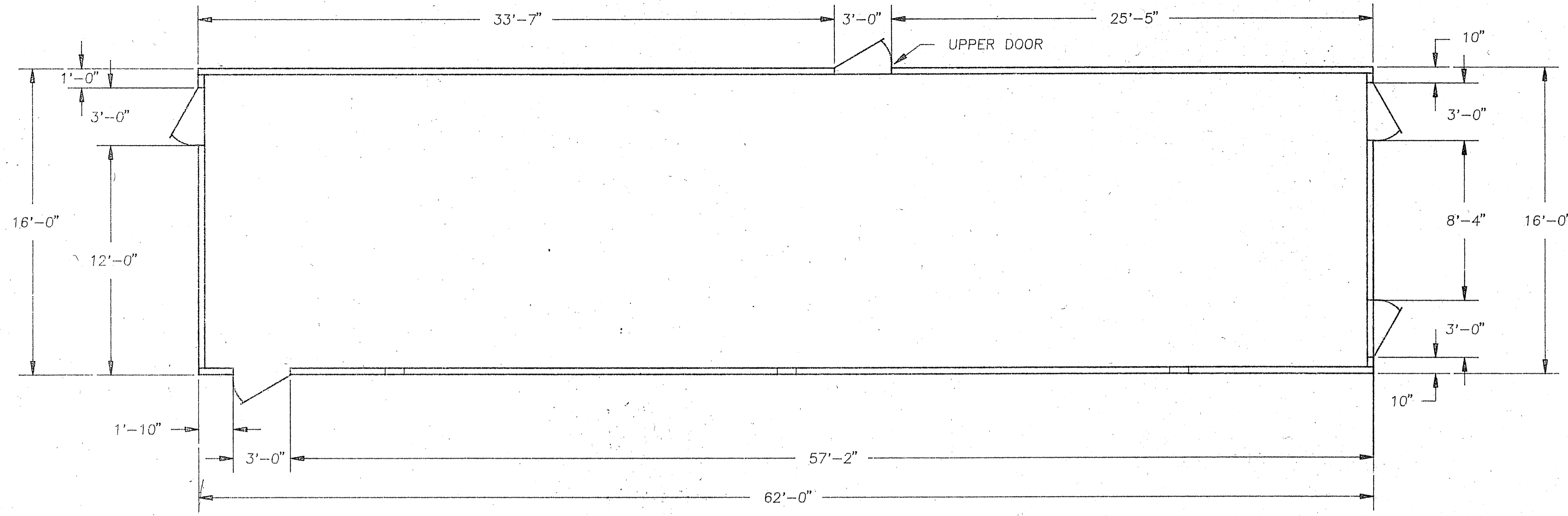
SUGGESTED CONCRETE PAD DETAILS

| REV. | BY | DATE | DESCRIPTION |
|------|----|------|-------------|
|      |    |      |             |
|      |    |      |             |
|      |    |      |             |

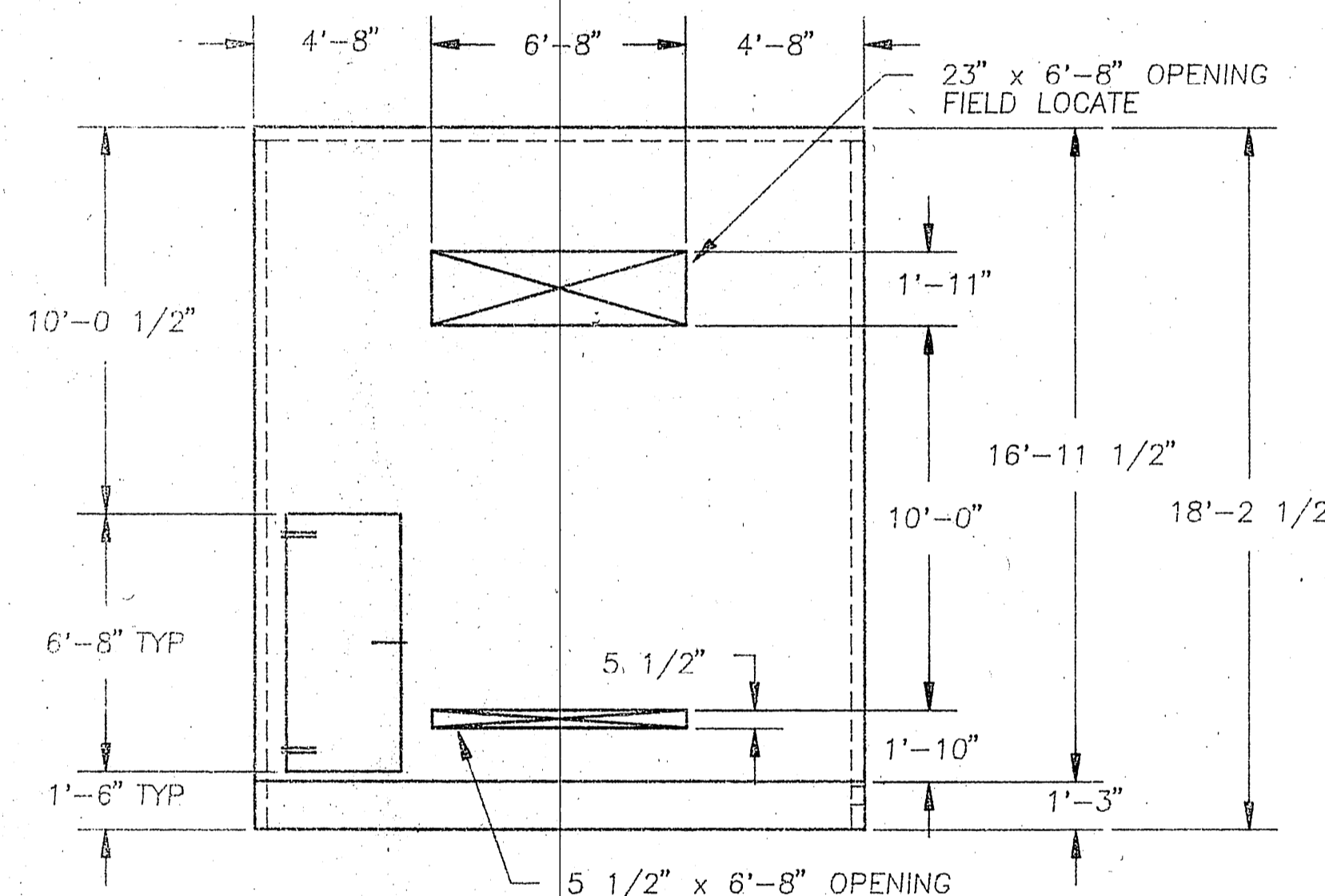
**CLOUDY & BRITTON, INC.**  
REFRIGERATION CONTRACTORS  
6202 214TH S.W. MOUNTLAKE TERRACE, WA 98043

THIS DESIGN DRAWING AND SPECIFICATION IS THE EXCLUSIVE PROPERTY OF CLOUDY & BRITTON, INC. IT AND/OR THE DESIGN THEREIN ARE NOT TO BE COPIED, SOLD, REPRODUCED OR REPRODUCED IN ANY MANNER AND IS SUBJECT TO RETURN OR REWARD. THE ITEMS DESCRIBED MAY NOT BE BUILT OR ASSEMBLED OR ITS DESIGN CRITERIA DISCLOSED TO OTHER PARTIES WITHOUT THE EXPRESSED WRITTEN PERMISSION OF CLOUDY & BRITTON, INC.

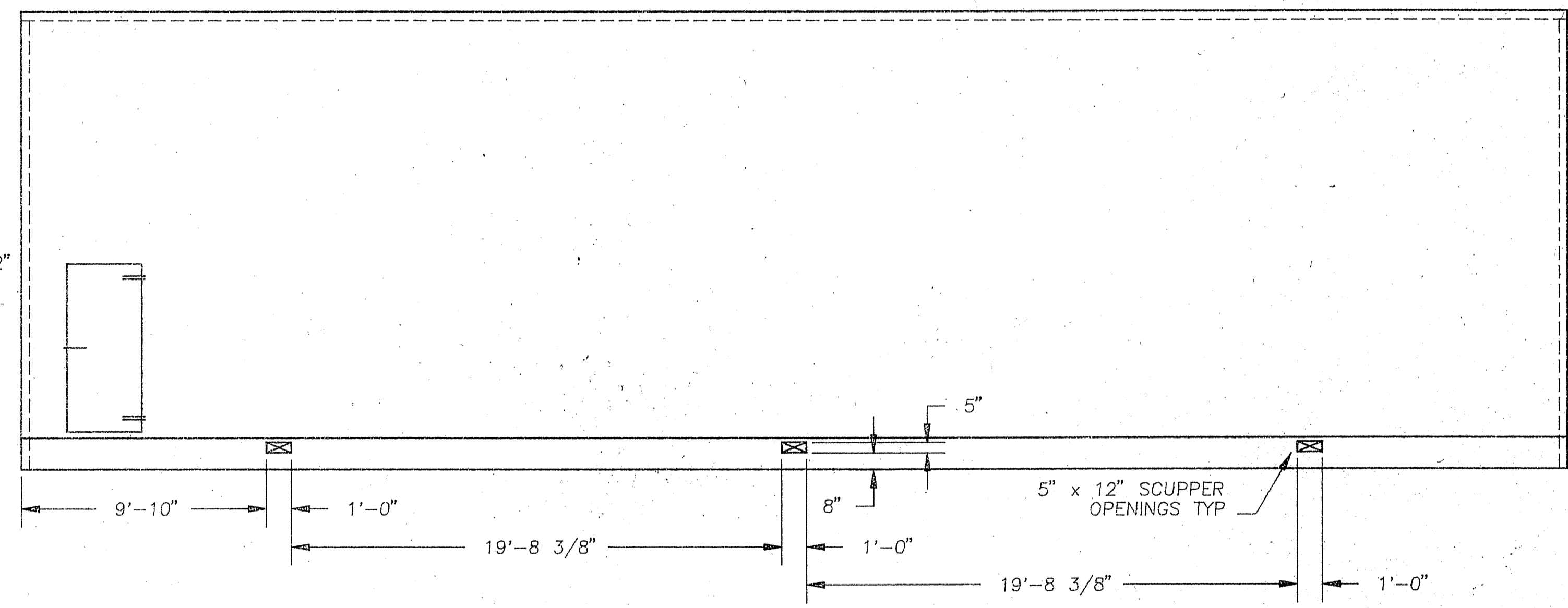
|       |  |          |        |            |              |             |          |
|-------|--|----------|--------|------------|--------------|-------------|----------|
| FOR   | SYMONS FROZEN FOODS<br>CENTRALIA, WASHINGTON | DRAWN BY | JEM    | CHECKED BY |              | APPROVED BY |          |
| TITLE | CONCRETE DETAIL                              | DATE     | 2-4-94 | SCALE      | 1/4" = 1'-0" | JOB NO.     | DWG. NO. |
|       |  |          | 7365K  |            |              | 7365-103    |          |



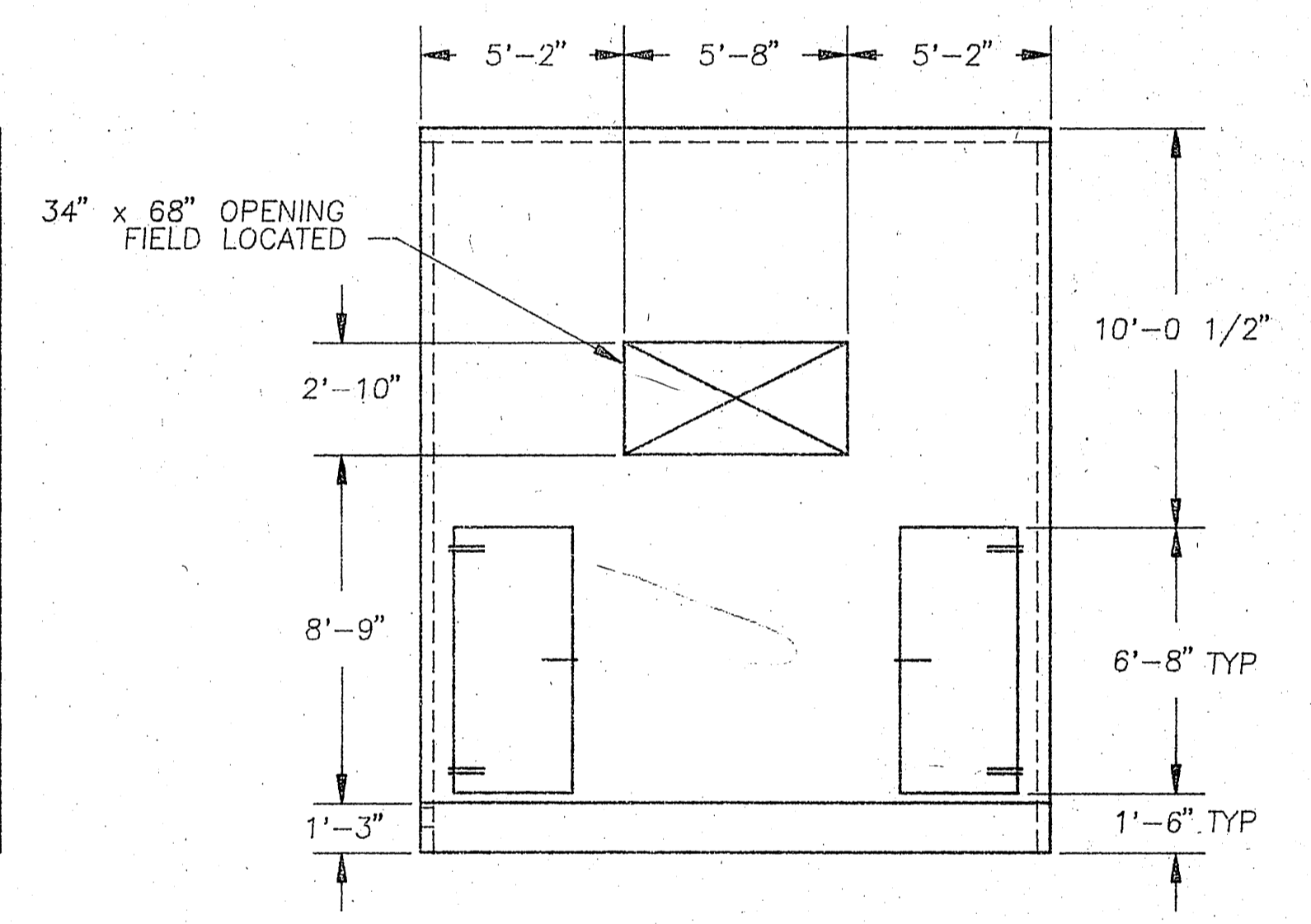
PLAN VIEW



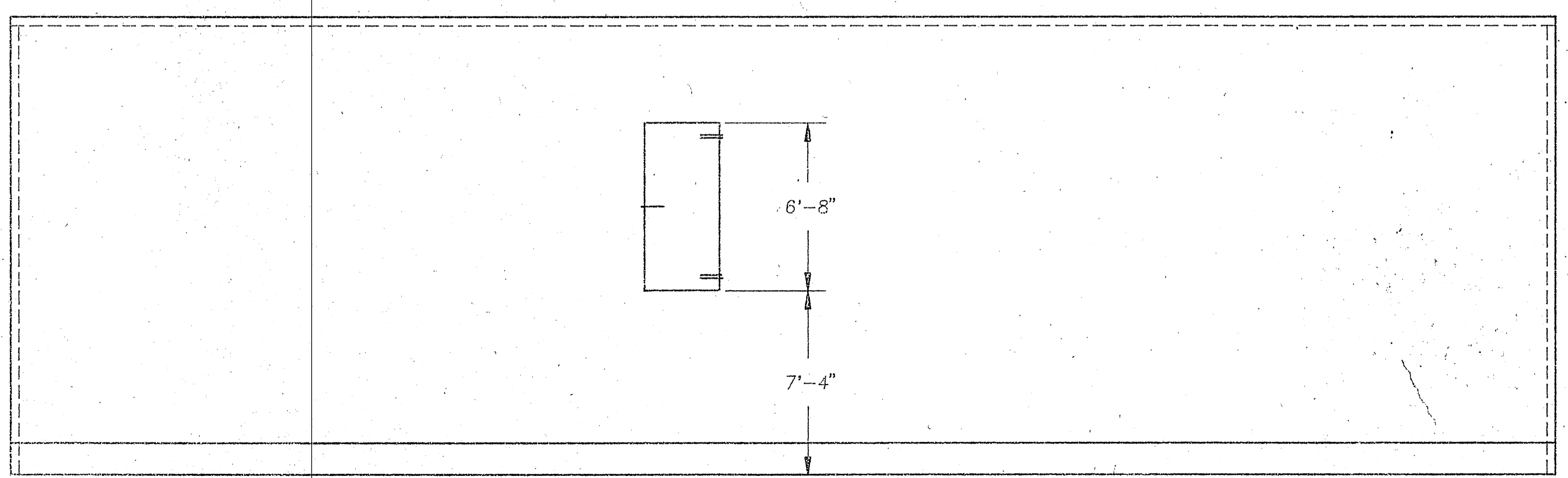
FEED END ELEVATION



FRONT ELEVATION



DISCHARGE END ELEVATION



REAR ELEVATION

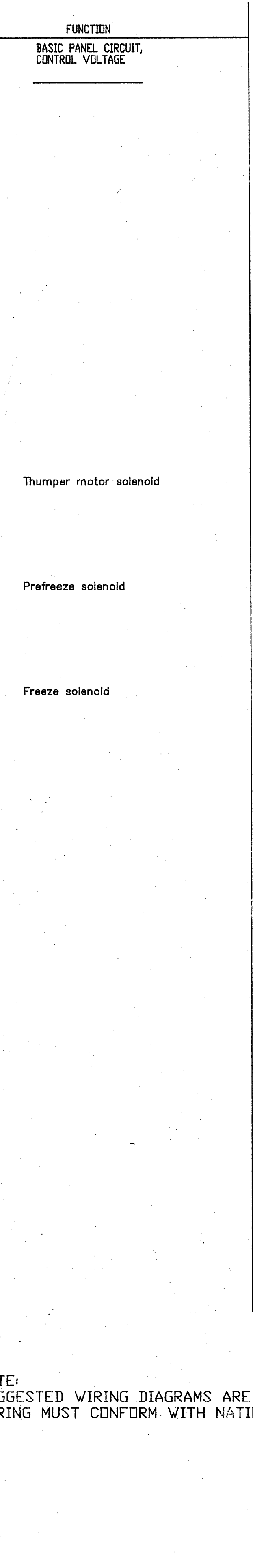
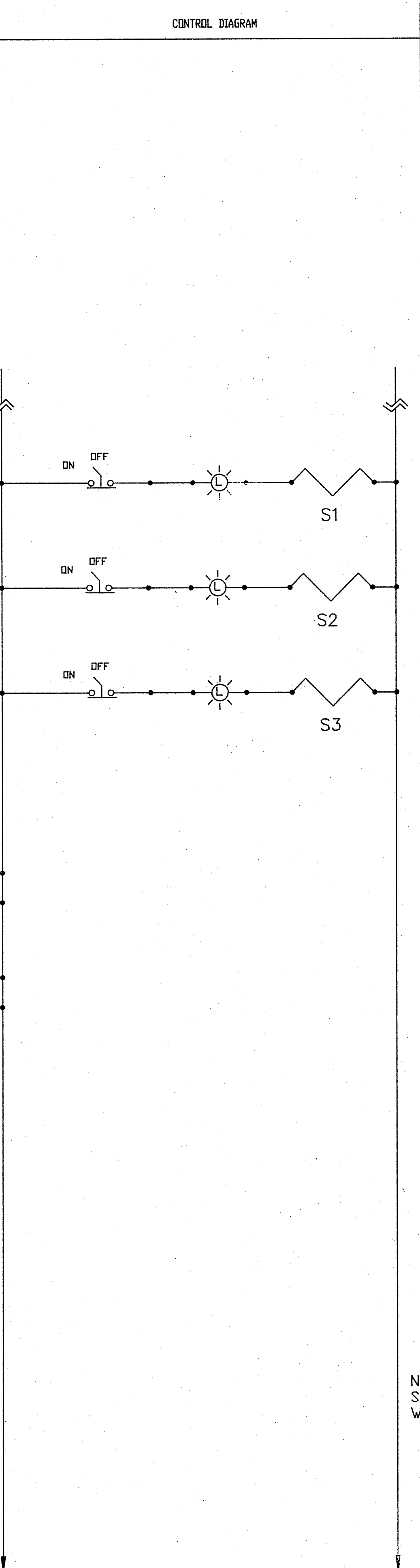
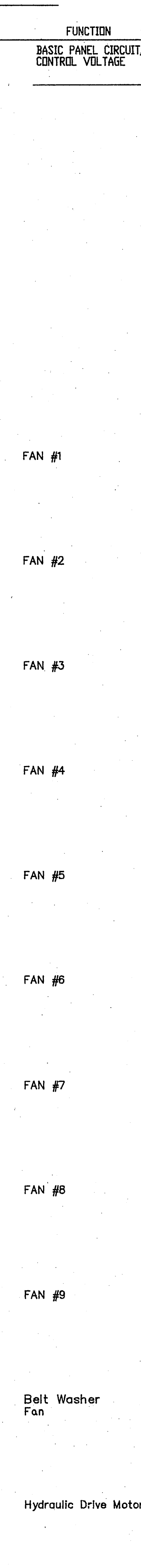
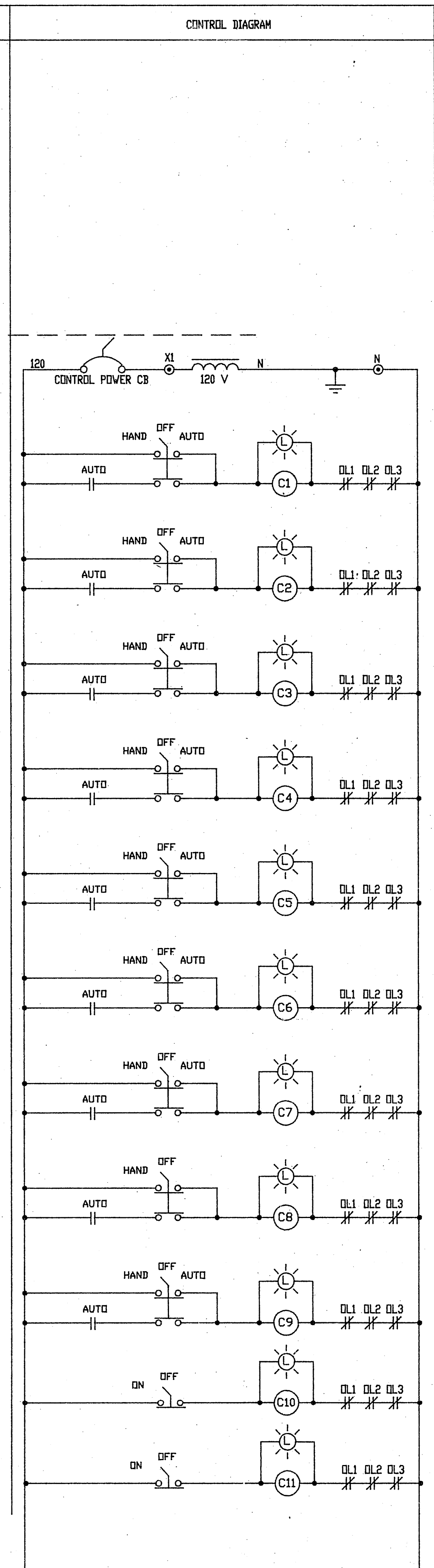
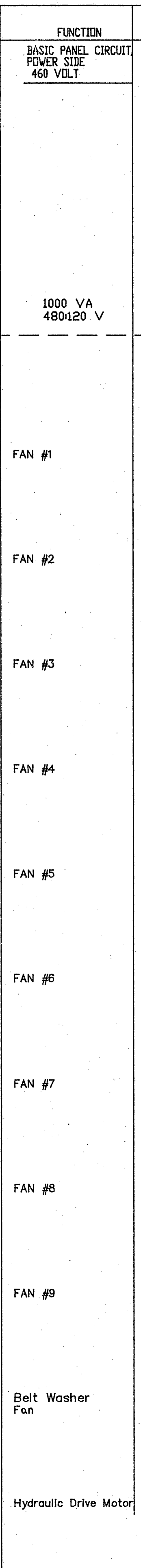
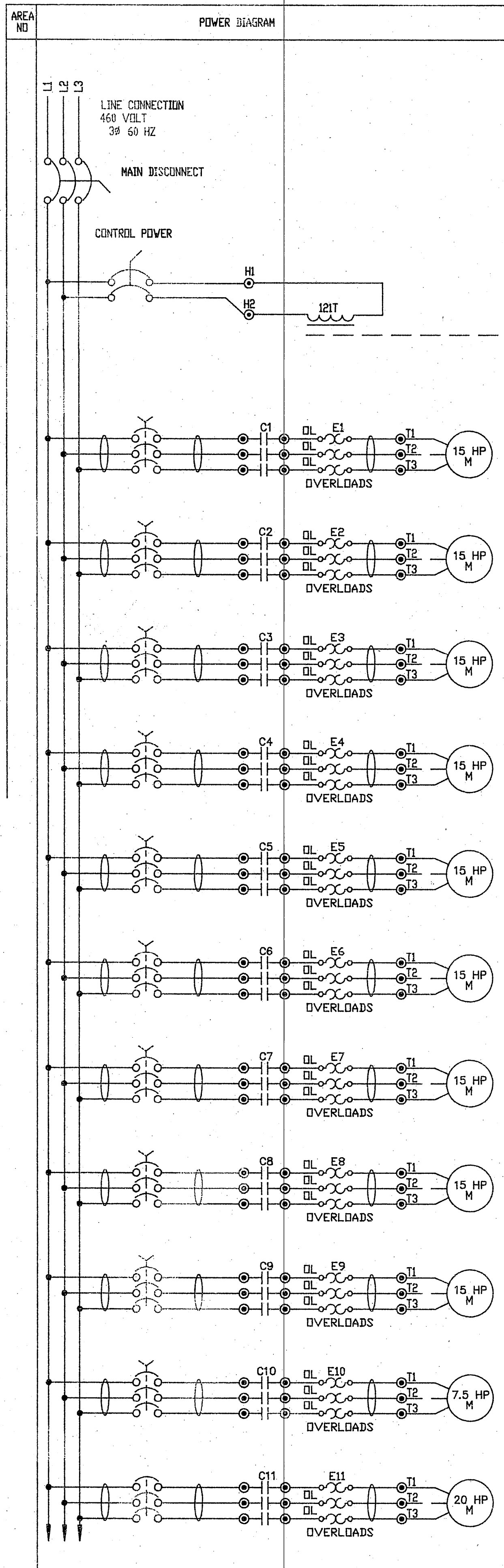
| REV. | BY | DATE | DESCRIPTION |
|------|----|------|-------------|
|      |    |      |             |

**CLOUDY & BRITTON, INC.**  
 REFRIGERATION CONTRACTORS  
 6202 214TH S.W. MOUNTLAKE TERRACE, WA. 98043

THIS DESIGN DRAWING AND SPECIFICATION IS THE EXCLUSIVE PROPERTY OF CLOUDY & BRITTON, INC. IT AND/OR THE DESIGN THEREIN ARE NOT TO BE COPIED, SOLD, TRANSFERRED OR REPRODUCED IN ANY MANNER AND IS SUBJECT TO RETURN ON DEMAND. THE TERMS DESCRIBED MAY NOT BE BUILT OR ASSEMBLED OR ITS DESIGN CRITERIA DISCLOSED TO OTHER PARTIES WITHOUT THE EXPRESSED WRITTEN PERMISSION OF CLOUDY & BRITTON, INC.

|       |  |                  |                      |             |
|-------|--|------------------|----------------------|-------------|
| FOR   | SYMONS FROZEN FOODS<br>CENTRALIA, WASHINGTON | DRAWN BY<br>JEM  | CHECKED BY           | APPROVED BY |
| DATE  | 2-1-94                                       | SCALE            | 1/4" = 1'-0"         |             |
| TITLE | ENCLOSURE                                    | JOB NO.<br>7365K | DWG. NO.<br>7365-101 | REV.        |

Cloudy & Britton, Inc. 79117 Form 8/82



NOTE: SUGGESTED WIRING DIAGRAMS ARE SHOWN, ALL WIRING IS BY OTHERS EXCEPT AS NOTED. WIRING MUST CONFORM WITH NATIONAL AND LOCAL ELECTRICAL CODES.

| REV. | BY | DATE | DESCRIPTION |
|------|----|------|-------------|
|      |    |      |             |

THE DESIGN DRAWING AND SPECIFICATION IS THE EXCLUSIVE PROPERTY OF CLOUDY & BRITTON, INC. IT AND/OR THE DESIGN THEREIN ARE NOT TO BE COPIED, SOLD, TRANSFERRED, OR REPRODUCED IN ANY WAY AND IS SUBJECT TO RETURN ON DEMAND. THE ITEMS DESCRIBED MAY NOT BE BUILT OR ASSEMBLED OR ITS DESIGN CRITERIA DISCLOSED TO OTHER PARTIES WITHOUT THE EXPRESSED WRITTEN PERMISSION OF CLOUDY & BRITTON, INC.

CLOUDY + BRITTON, INC.  
REFRIGERATION & MFG.  
6202 214th AVENUE S.W.

MOUNTLAKE TERRACE  
WASHINGTON 98043  
(206)775-7424

CLOUDY + BRITTON

|       |                              |                |          |            |       |             |        |
|-------|------------------------------|----------------|----------|------------|-------|-------------|--------|
| FOR   | SYMONS FROZEN CENTRALIA, WA. | DRAWN BY       | NA       | CHECKED BY |       | APPROVED BY |        |
| TITLE | ELECTRICAL DIAGRAM           | DATE           | 4/20/94  | SCALE      | 1"=1" | JOB NUMBER  | K07365 |
|       |                              | DRAWING NUMBER | 7365-501 | REV.       |       |             |        |