



Pall Corporation

Contact Us: [www.pall.com/contact](http://www.pall.com/contact)

## 142 & 293 mm Disc Filter Holders, Stainless Steel

### Description

#### Convenient Sizes and Durable Materials for Filtration of All Your Laboratory Samples

- ▶ Design optimizes use of filter area with 15% more EFA than most competitive units, giving higher flow rates and extending the filter's service life.
- ▶ Sanitary connections are easy to use and suitable for pharmaceutical applications.
- ▶ Corrosion-resistant type 316 stainless steel construction provides broad chemical resistance.



### Application

- ▶ Can be used with a variety of aggressive chemicals, solvents, reagents, and solutions (gases and liquids).
- ▶ Recommended for filtration of products such as laboratory solvents, cell culture media, ophthalmics, pharmaceuticals, vitamins, process water, antibiotics, and photoresists.

### Specifications

#### Materials of Construction

- ▶ Body: Electropolished type 316 stainless steel
- ▶ O-Rings: Viton<sup>®</sup>
- ▶ Legs: Type 316 stainless steel with copper threads
- ▶ Knob Assembly: Aluminum with copper threads

#### Effective Filtration Area

- ▶ 142 mm: 126 cm<sup>2</sup>
- ▶ 293 mm: 587 cm<sup>2</sup>

#### Dimensions

- ▶ Clearance between flange and benchtop: 29 cm (11.4 in.)

#### Prefilter Size

- ▶ 142 mm: 127 mm if used with a final filter, 142 mm if used alone
- ▶ 293 mm: 265 mm if used with a final filter, 293 mm if used alone

#### Inlet/Outlet Connections

- ▶ Sanitary 3.8 cm (1.5 in.) fittings

#### Maximum Operating Pressure

- ▶ 6.9 bar (690 kPa, 100 psi)

#### Weight

- ▶ 142 mm: 7 kg (15 lb.)
- ▶ 293 mm: 17 kg (38 lb.)

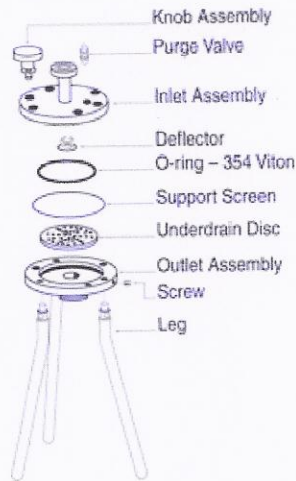
#### Sterilization

- ▶ Provided non-sterile. Autoclavable if desired:
    - 142 mm: 121 - 123 °C (250 - 253 °F) at 1.0 bar (100 kPa, 15 psi) for 45 min
    - 293 mm: 121 - 123 °C (250 - 253 °F) at 1.0 bar (100 kPa, 15 psi) for 60 min
- (Do not autoclave with aluminum foil; use autoclave paper or other permeable wrap such as Tyveks.)

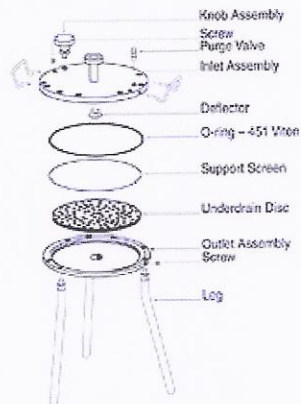
◆Do not autoclave with aluminum foil; use autoclave paper or other permeable wrap such as Tyvek.

## Performance

### 142 mm Filter Holder



### 293 mm Filter Holder



## Related Products

- ▶ PVDF Membrane Disc Filters
- ▶ GH Polypro (GHP) Membrane Disc Filters
- ▶ GLA-5000 Membrane Disc Filters
- ▶ GN-4 MetriceI® Membrane Disc Filters
- ▶ Glass Fiber Filters
- ▶ HT Tuffryn® Membrane Disc Filters
- ▶ MetriceI® Black Membrane Disc Filters
- ▶ MetriceI® Polypropylene Membrane Disc Filters
- ▶ Nylaflo™ Membrane Disc Filters
- ▶ Nylasorb™ Membrane Disc Filters
- ▶ PTFE Membrane Disc Filters
- ▶ Pallflex® Filters
- ▶ Polypropylene/Polyethylene Separator Depth Filters
- ▶ Stainless Steel Pressure Vessels
- ▶ Supor® Membrane Disc Filters
- ▶ Versapor® Membrane Disc Filters

## Ordering Information

Part Number	Description	Pkg	Price	Qty
-------------	-------------	-----	-------	-----

**142 & 293 mm Disc Filter Holders, Stainless Steel**

11872	142 mm, stainless steel	1/pkg	N/A	<input type="text" value="0"/>
11873	293 mm, stainless steel	1/pkg	N/A	<input type="text" value="0"/>

**Accessories and Replacement Parts for 142 mm Disc Filter Holder**

72978	Support screen, type 316 stainless steel	1/pkg	N/A	<input type="text" value="0"/>
72989	Viton® O-ring, ARP No. -354	1/pkg	N/A	<input type="text" value="0"/>
72994	Underdrain disc, type 316 stainless steel	1/pkg	N/A	<input type="text" value="0"/>
73045	O-ring, Buna-N®, PTFE coated, ARP No. -354	1/pkg	N/A	<input type="text" value="0"/>
76425	O-ring, ethylene polypropylene, ARP No. -354	1/pkg	N/A	<input type="text" value="0"/>

**Accessories and Replacement Parts for 293 mm Disc Filter Holder**

70975	Viton O-ring, ARP No. -451	1/pkg	N/A	<input type="text" value="0"/>
72161	Support screen, type 316 stainless steel	1/pkg	N/A	<input type="text" value="0"/>
72191	Underdrain disc, type 316 stainless steel	1/pkg	N/A	<input type="text" value="0"/>
72220	O-ring, Buna-N, PTFE coated, ARP No. -451	1/pkg	N/A	<input type="text" value="0"/>

**Accessories and Replacement Parts for 142 and 293 mm Disc Filter Holder**

15206	Hose assembly kit includes clamp and PTFE gasket, type 316 stainless steel inlet/outlet adapter, 3.8 cm (1.5 in.) sanitary to 9.5 mm (3/8 in.) hose barb	1/pkg	N/A	<input type="text" value="0"/>
70638	Purge valve, 1/8 in. threaded MNPT type 316 stainless steel	1/pkg	N/A	<input type="text" value="0"/>
72197	Inlet/Outlet adapter, type 316 stainless steel, 3.8 mm (1.5 in.) sanitary to 3/4 in. -14 FNPT	1/pkg	N/A	<input type="text" value="0"/>
72202	Inlet/Outlet clamp, 38 mm, type 304 stainless steel	1/pkg	N/A	<input type="text" value="0"/>
72215	Anodized aluminum hand knob	1/pkg	N/A	<input type="text" value="0"/>
76441	Bottom screw	1/pkg	N/A	<input type="text" value="0"/>
83191	Type 316 stainless steel deflector	1/pkg	N/A	<input type="text" value="0"/>
72204	Inlet/Outlet gasket, PTFE	1/pkg	N/A	<input type="text" value="0"/>
72205	Inlet/Outlet gasket, Viton	1/pkg	N/A	<input type="text" value="0"/>

---

**Contact Information**

---

© 2012, Pall Corporation, Pall, and other names are trademarks of Pall Corporation.  
® indicates a registered trademark in the USA.