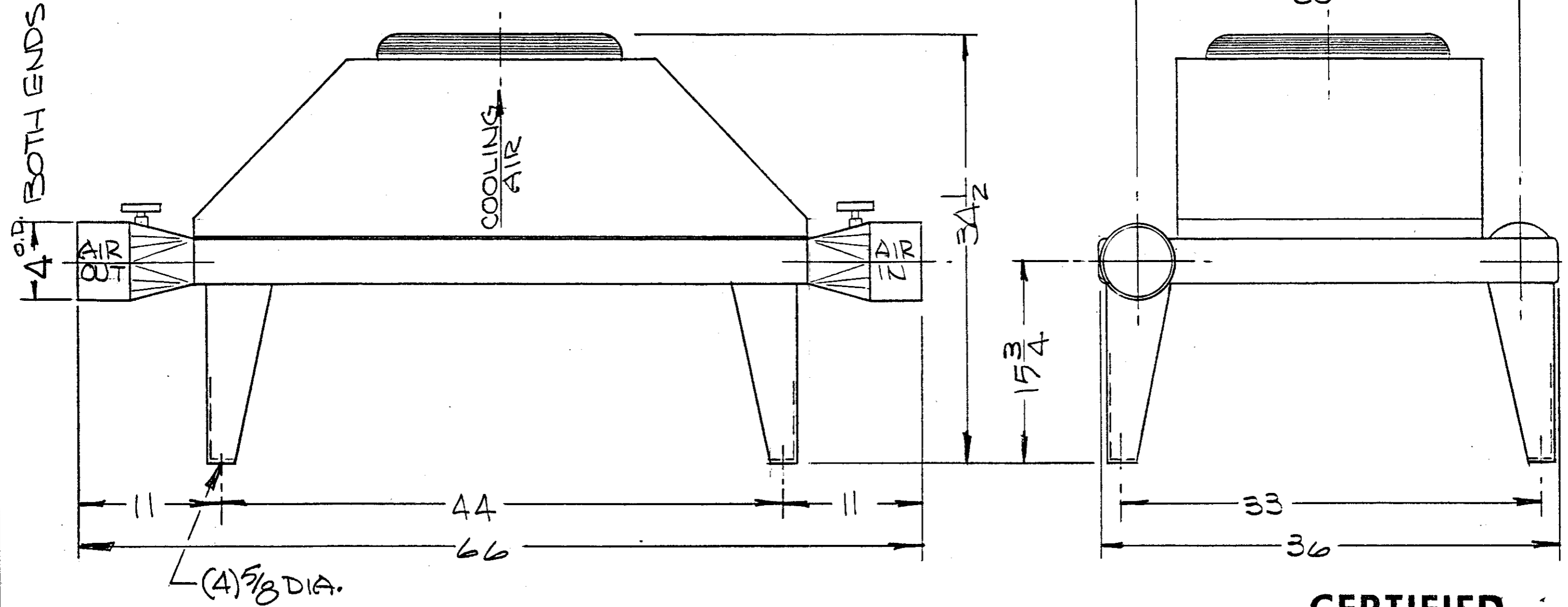


1. COOLING FAN = 1/2 HP, 230-460/3/60 TEFC
2. THERMOMETERS FURNISHED FOR AIR INLET & OUTLET
3. COOLER CORE, LEGS & AIR CONN. ALUMINUM, HOOD GALVANIZED
4. PERFORMANCE & SPEC. PER DATA SH. 2673



CERTIFIED
 BY *[Signature]* DATE 3/19/93
Xchanger Inc.

FILE

SHICK TUBE-VEYOR
 P.O. 102456
 ONE REQD
 ITEM # B. 4

S/N B3176-2

TOLERANCES (EXCEPT AS NOTED)	REVISIONS			Xchanger Inc.		
	NO.	DATE	BY			
DECIMAL	1			HEAT EXCHANGER ASSEM AA1000		
±	2					
FRACTIONAL	3			DRAWN BY WJH	SCALE	JOB # B3176
±	4			CHK'D	DATE 1-11-93	DRAWING NO.
ANGULAR	5			TRACED	APP'D	14607
±						