

Model KLRC-100, KLRC-125

Features

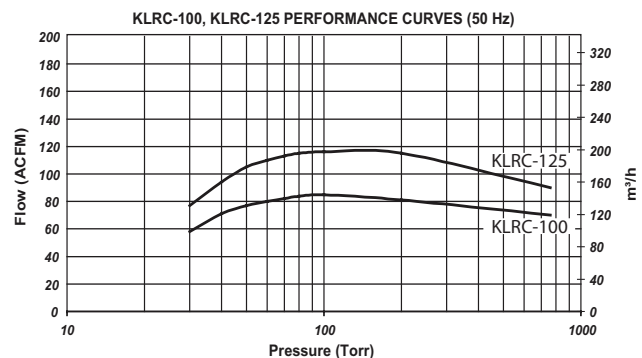
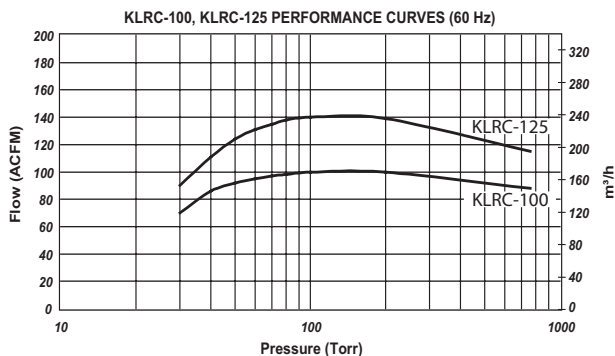
- Impellers positively locked to shaft
- Reliable mechanical seals for high-integrity sealing and low shaft friction
- Center-anchored tie rods allow access to either end of the pump without total disassembly
- Precision casting and CNC machining eliminates the need for body gasketing (process dependent)
- Replaceable end plates
- Clearance adjustments via shims
- Made in the USA



KLRC - 100/125 Material & Seal Code		
KLRC-100/125 XY	X	Material code
	Y	Mechanical seal code
Material Code (X)	F	Cast iron casings, SS316L impellers & SS316 shaft
	C	All wetted parts SS316L & SS316 shaft
Mechanical Seal Code (Y)	A	John Crane Type 21 Carbon/Ceramic/Viton
	D	Flowserve Type RO Carbon/Durchrome/Viton.
	L	PTFE encapsulated Viton O-Rings
Consult factory for alternate seal configurations		

Specifications	KLRC-100		KLRC-125	
	60 Hz	50 Hz	60 Hz	50 Hz
Motor Power	7.5 HP	5.5 KW	10 HP	7.5 KW
Pump Speed	1750 RPM	1450 RPM	1750 RPM	1450 RPM
Seal Water Flow	6 GPM		7 GPM	
Noise Level	74 dBA @ 60 Torr (3 ft)			
Maximum Allowable Suction Temperature	220° F (Hot Pump)			

Typical Pumping Speed Curves



1.) Above performance data based on 68° F inlet air with 50% relative humidity and using water as a sealant at 60° F.
2.) All SS pump capacity less 10%

Dimensions

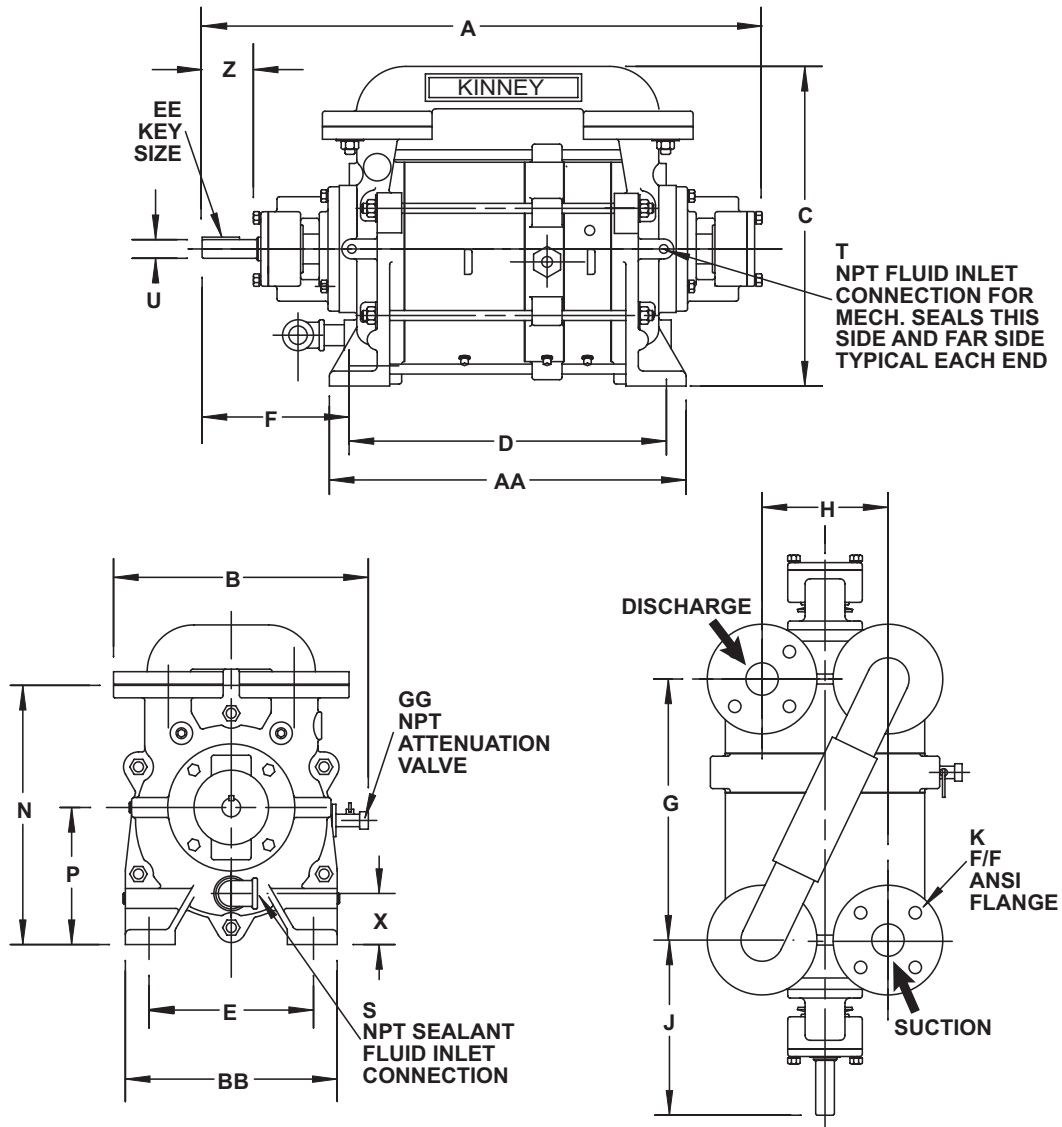
Values shown are approximate and should not be used for construction.

Certified drawings are available through your local Tuthill Vacuum & Blower Systems Sales Professional.

Bare Shaft Pump

Models: **KLRC-100 & KLRC-125**

PUMP ROTATION CLOCKWISE
FACING PUMP SHAFT

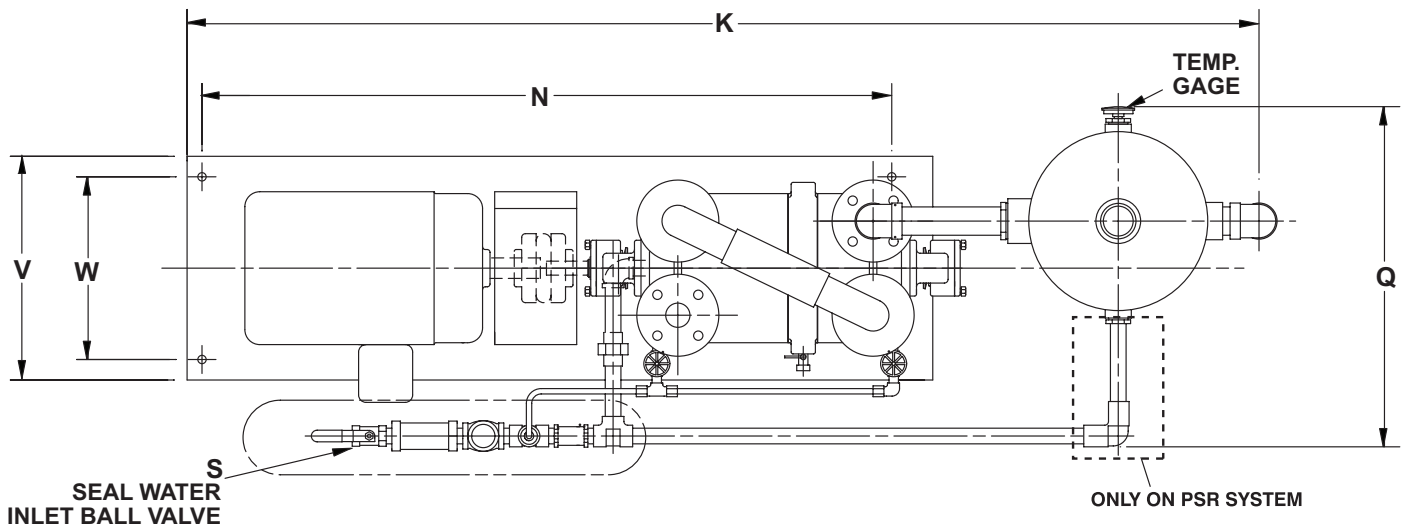
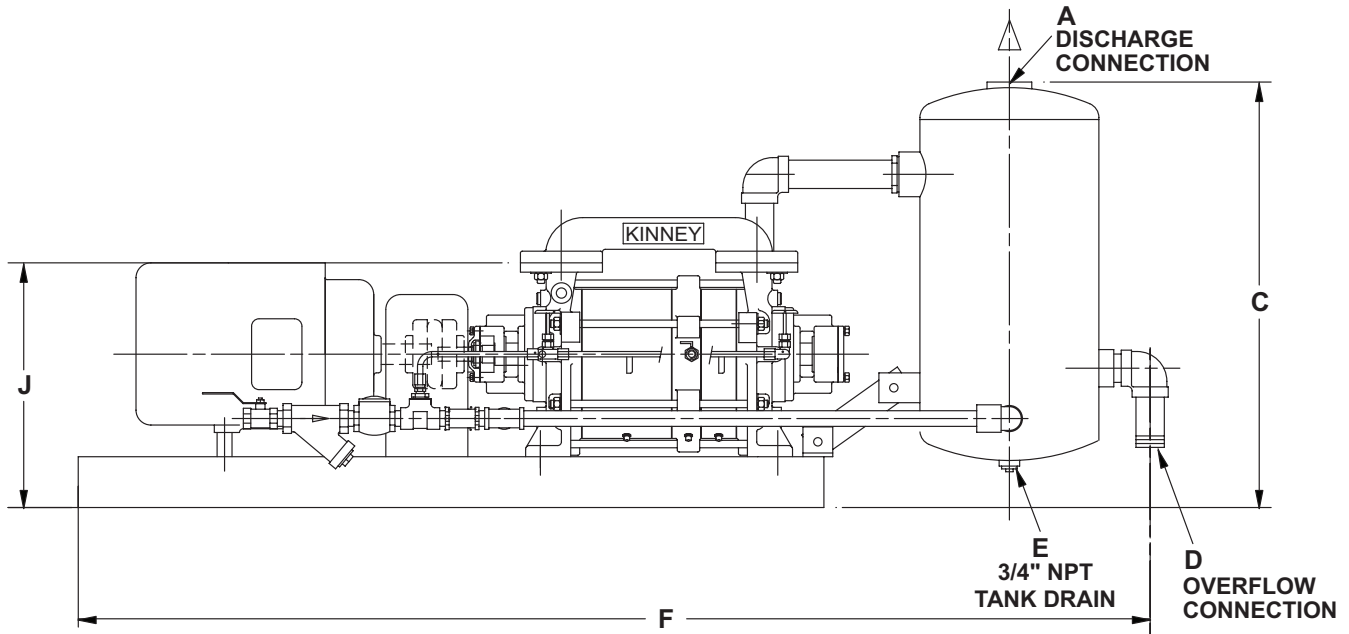


in mm	A	B	C	D	E	F	G	H	J	K	N
KLRC-100	25 3/4 648	12 3/4 324	16 406	13 9/16 344	8 1/4 210	7 178	10 3/4 273	6 5/16 160	8 13/32 214	1 1/2" ANSI	13 330
KLRC-125	28 1/16 718	12 3/4 324	16 406	15 15/16 404	8 1/4 210	7 178	13 1/8 333	6 5/16 160	8 13/32 214	1 1/2" ANSI	13 330

in mm	P	S	T	U	X	Z	AA	BB	EE	GG	APPROX. WEIGHT LBS / kg
KLRC-100	6 7/8 175	3/4"	1/4 NPTF	15/16"	2 9/16 65	2 1/8 54	15 1/2 394	10 5/8 270	1/4 x 1/4	1/4 NPTF	230 / 104
KLRC-125	6 7/8 175	3/4"	1/4 NPTF	15/16"	2 9/16 65	2 1/8 54	17 7/8 454	10 5/8 270		1/4 NPTF	255 / 116

NSR (No Sealant Recovery) & PSR (Partial Sealant Recovery) System

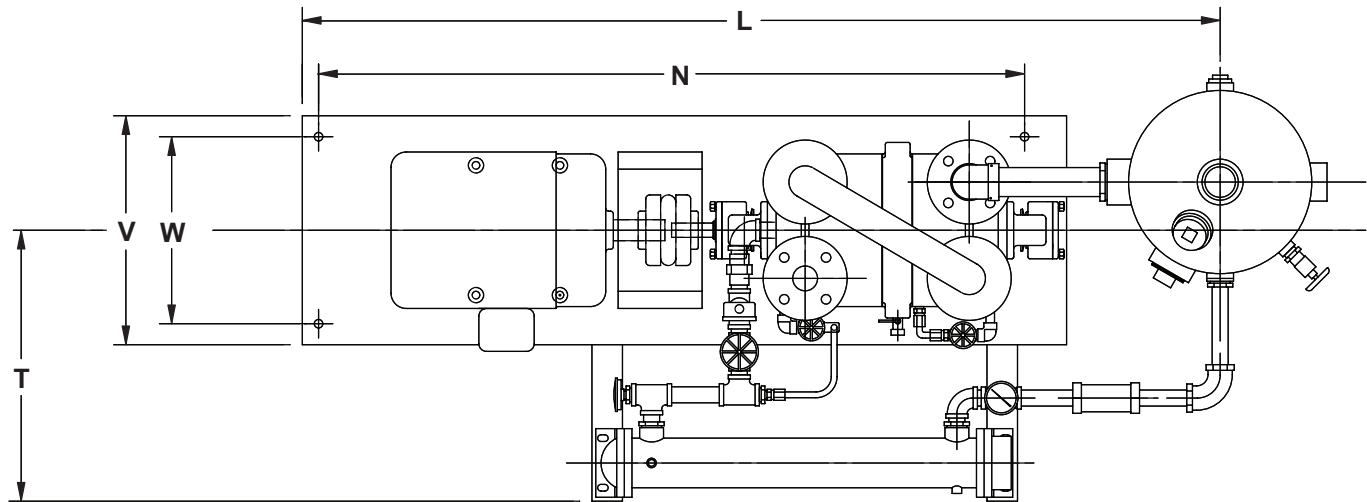
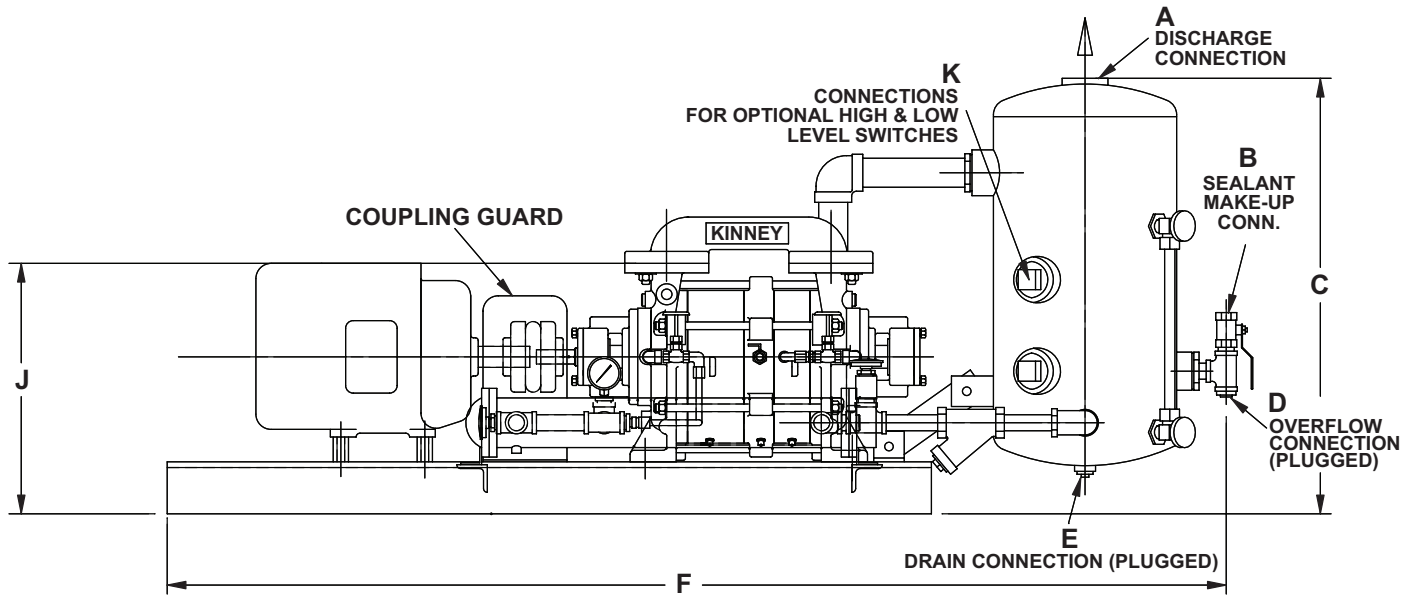
Models: KLRC-100 & KLRC-125



in mm	A	C	D	E	F	J	K	N	Q	S	V	W	APPROX. WEIGHT LBS / kg
KLRC-100	2" NPT	28 1/2 724	1 1/2" NPT	3/4" NPT	69 1/2 1765	16 3/8 416	69 1/2 1765	46 1/4 1175	22 3/4 578	3/4" NPT	15 381	12 1/4 451	732 332
KLRC-125	2" NPT	28 1/2 724	1 1/2" NPT	3/4" NPT	71 7/8 1826	16 3/8 416	71 7/8 1826	46 1/4 1175	22 3/4 578	3/4" NPT	15 381	12 1/4 451	750 340

FSR (Full Sealant Recovery) System

Models: KLRC-100 & KLRC-125



in mm	A	B	C	D	E	F	J	K	L	N	T	V	W	APPROX. WEIGHT LBS / kg
KLRC-100	2" NPT	3/4" NPT	28 1/2 724	3/4" NPT	3/4" NPT	69 3/8 1762	16 3/8 416	(2) 2" NPT	60 1/8 1527	46 1/4 1175	17 3/4 451	15 381	12 1/4 311	780 354
KLRC-125	2" NPT	3/4" NPT	28 1/2 724	3/4" NPT	3/4" NPT	71 3/4 1823	16 3/8 416	(2) 2" NPT	62 1/2 1588	46 1/4 1175	17 3/4 451	15 381	12 1/4 311	798 362

Your Local Tuthill Vacuum Blower Systems Sales Professional:



Tuthill Vacuum & Blower Systems
 4840 West Kearney Street
 Springfield, Missouri USA 65803-8702
 o 417.865.8715 800.825.6937 f 417.865.2950
 tuthillvacuumblower.com

