

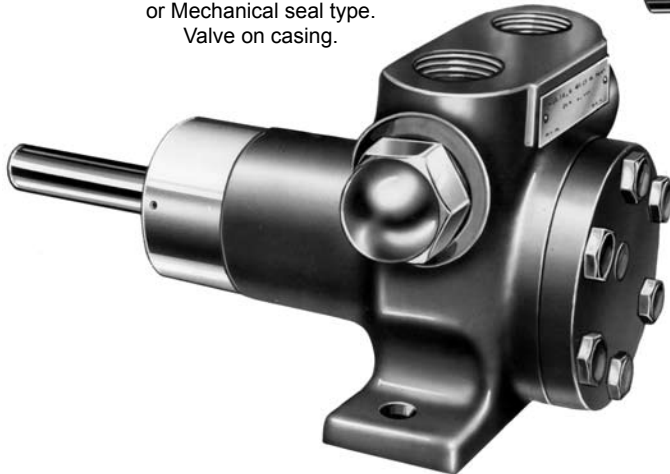
VIKING® GENERAL PURPOSE PUMPS

SERIES 32 AND 432

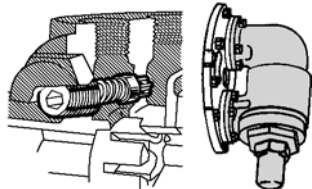
| | |
|---------|-------|
| Section | 310 |
| Page | 310.1 |
| Issue | G |

FEATURES

SERIES 32 and 432 Pump
3 GPM (.7 m³/hr) Size Shown. Packed
or Mechanical seal type.
Valve on casing.



SERIES 432 Pump
5 GPM (1 m³/hr) Mechanical seal type.
Shown with valve on head.



“C”, “F” & “FH” Sizes “J” through “N” Sizes

SAFETY RELIEF VALVE ON CASING OR HEAD (Standard Equipment, All Sizes)

The integral safety relief valve on casing or head permits by-passing of liquid from discharge back to suction side of pump. Reverse valve when reversing pump rotation on large pumps. Small pumps with relief valve built with right hand suction as standard. Left hand special.



STEAM JACKETED HEAD (On Request)

Jacketed head or plate permits temperature control of the liquid being pumped. Jacketed plate available on “G” through “LL” size pumps. Jacketed head available on “Q” through “N” sizes. Relief valve not available with jacketed head or plate. For complete jacketed pumps, see Section 430.



UPRIGHT, OPPOSITE AND RIGHT ANGLE PORTS (Standard Equipment)

“C”, “F” and “FH” size pumps furnished with upright port casings: “G” size pump with opposite port casing and “H” through “N” size pumps with right angle port casings. Right hand port determined by location of side port when facing pump from shaft end. Left hand casing furnished only on special order.



MECHANICAL SEAL

“G”, “H” and “HL” sizes illustrated. All General Purpose pumps are available with packed stuffing boxes. Mechanical seals are available on “C” through “HL” size pumps as standard. The seal is a rotary type packaged unit that is simple and self-adjusting. It works WITH rather than against pressure.

① Pressure Range

250 PSI (17 BAR) for 100 SSU (21 cSt) and above (“C” through “FH” Size)
③ 100 PSI (7 BAR) for less than 100 SSU (21 cSt)

100 PSI (7 BAR) for 100 SSU (21 cSt) and above (“G” through “LL” Size)
50 PSI (3 BAR) for less than 100 SSU (21 cSt)

① Temperature Range

75 PSI (5 BAR) for 100 SSU (21 cSt) and above (“Q” through “N” Size)
50 PSI (3 BAR) for less than 100 SSU (21 cSt)

-60°F. to +450°F. (-51°C. to +232°C.)

① Viscosity Range

31 SSU to 250,000 SSU
(1.0 cP to 55,000 cSt)

② **GPM ½ - 1½ - 3 - 5 - 10 - 20 - 35 - 50 - 90 - 140 - 200 - 280 - 450**
(m³/hr .11 - .34 - .7 - 1 - 2 - 4.5 - 8
11 - 20 - 32 - 45 - 64 - 102)
(Nominal Rating)

Viking General Purpose Series 32 pumps are extremely well suited for light, medium and intermittent service handling a variety of liquids. The smaller sizes “C”, “F” and “FH” are constructed for heavier duty service. Mechanical seal equipped General Purpose pump models in sizes from “C” thru “HL” shown in this section are available with Underwriters label for handling fuel oil. Model numbers for these pumps must be designated by a suffix -X. “UL” listed models can be equipped with integral relief valve. The additional sizes of unmounted General Purpose pumps are illustrated on the following page. Also for continuous service and for handling viscous liquids, see Viking’s line of heavy-duty pumps, Section 630.

① See following pages or consult factory for specific recommendations on individual models or sizes.

② Nominal capacities based on handling thin liquids.

③ 150 PSI (10 BAR) handling fuel oil less than 100 SSU (21 cSt).

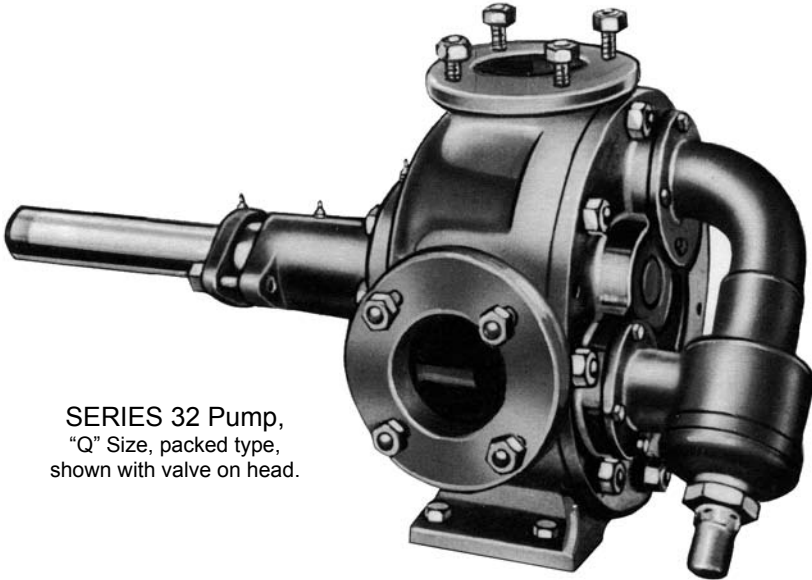
Metric conversions are based on US measurements and rounded to the nearest whole number.

| | |
|---------|-------|
| Section | 310 |
| Page | 310.2 |
| Issue | G |

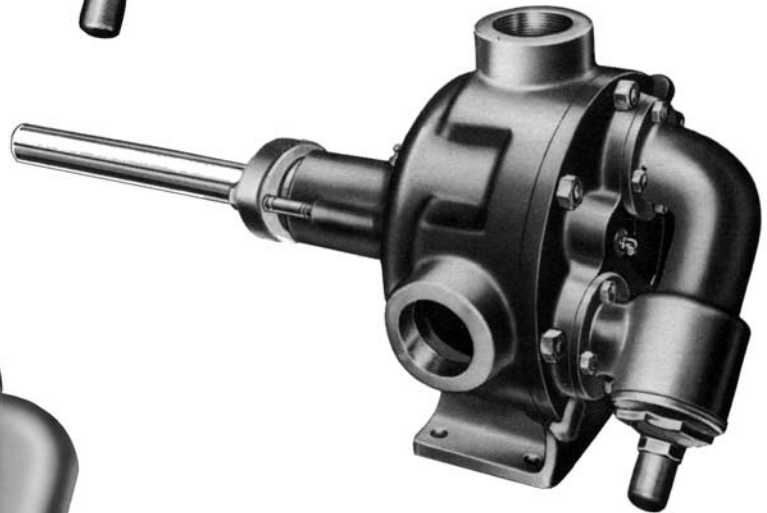
VIKING® GENERAL PURPOSE PUMPS

SERIES 32 AND 432

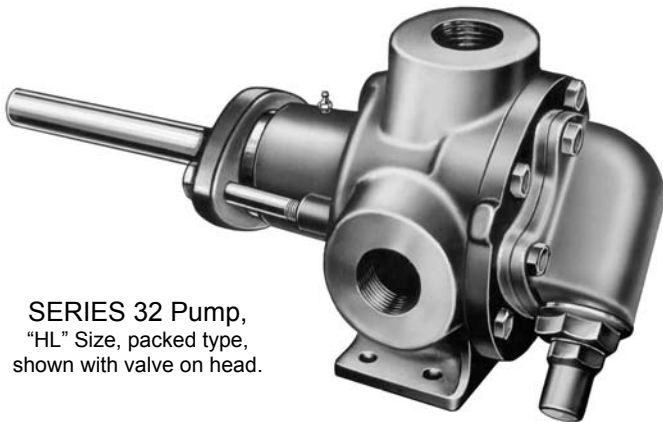
UNMOUNTED PUMPS



SERIES 32 Pump,
"Q" Size, packed type,
shown with valve on head.



SERIES 32 Pump,
"KK" size, packed type,
shown with valve on head.



SERIES 32 Pump,
"HL" Size, packed type,
shown with valve on head.

Viking's unique and unusually simple pump construction makes it adaptable to many diversified installations. The pumps possess excellent vacuum characteristics and will operate and prime at suction lifts up to 25 feet, depending upon the vaporization point of volatile liquids. Because of the cushioned action in providing a continuous and steady stream of liquid without splashing, pounding, foaming or churning, the Viking pump is adaptable to an unlimited number of industrial applications.

All sizes of Viking General Purpose pumps have tapped ports except "LQ", "LL", "Q", "M" and "N" sizes. These have

flanged ports ready to accept companion flanges.

"J" through "N" sizes are furnished with conventional packing as standard. A cartridge style triple lip sealing option is available for the "J" through "N" sizes, contact the factory for details.

A supporting anti-friction bearing pillow block is recommended for the end of the pump shaft on all V-belt driven units.

Dimensions for Unmounted Pumps—See Pages 310.9 thru 310.11.

Performance data for Unmounted Pumps—See Pages 310.19 thru 310.46.

VIKING® GENERAL PURPOSE PUMPS

SERIES 32 AND 432

| | |
|---------|-------|
| Section | 310 |
| Page | 310.3 |
| Issue | G |

UNMOUNTED PUMPS

CONSTRUCTION — 32 AND ① 432 SERIES (“C”, “F” AND “FH” SIZES)

| Pump Construction | Casing | Head | Rotor and Shaft | Idler | Idler Pin | Casing Bushing | | ② Internal Relief Valve |
|-----------------------|--------|--------|-----------------|--------|-----------------|-----------------|-----------------|-------------------------|
| | | | | | | Packed | ③ Mech. Seal | |
| Standard Construction | Iron | Iron | Steel | Steel | Nitralloy | Carbon Graphite | Carbon Graphite | Iron |
| Bronze Fitted | Iron | Iron | Bronze | Bronze | Steel | Carbon Graphite | Carbon Graphite | Iron |
| All Bronze | Bronze | Bronze | Bronze | Bronze | Stainless Steel | Carbon Graphite | Carbon Graphite | Bronze |

CONSTRUCTION — 32 AND ① 432 SERIES (“G”, “H” AND “HL” SIZES)

| Pump Construction | Casing | Head | Rotor | Idler | Rotor Shaft | Idler Pin | Bushings | | Internal Relief Valve |
|-----------------------|--------|--------|----------|--------|-----------------|-----------------|----------|-----------------|-----------------------|
| | | | | | | | Packed | Seal | |
| Standard Construction | Iron | Iron | Iron | ③ Iron | Steel | Steel | Bronze | Carbon Graphite | Iron |
| Steel Fitted | Iron | Iron | Steel | ③ Iron | Steel | Steel | Bronze | Carbon Graphite | Iron |
| Bronze Fitted | Iron | Iron | ③ Bronze | Bronze | Stainless Steel | Steel | Bronze | Carbon Graphite | Iron |
| All Bronze | Bronze | Bronze | ③ Bronze | Bronze | Stainless Steel | Stainless Steel | Bronze | Carbon Graphite | Bronze |

CONSTRUCTION — 32 SERIES (“J” THROUGH “N” SIZES)

| Pump Construction | Casing | Head | Rotor | Idler | Rotor Shaft | Idler Pin | Bushings | Internal Relief Valve |
|-----------------------|--------|------|----------|--------|-----------------|-----------|----------|-----------------------|
| Standard Construction | Iron | Iron | Iron | Iron | Steel | Steel | Bronze | Iron |
| Steel Fitted | Iron | Iron | Steel | ④ Iron | Steel | Steel | Bronze | Iron |
| Bronze Fitted | Iron | Iron | ③ Bronze | Bronze | Stainless Steel | Steel | Bronze | Iron |

SPECIFICATIONS — UNMOUNTED PUMPS

| Model Number | ⑤ Mech. Seal | Port Size Inches | Nominal Pump Rating GPM (m³/hr) RPM | Motor HP Required at Rated Speed Pumping 100 SSU Liquid | | | Maximum Recommended Discharge Pressure PSIG | | | Maximum Recommended Temperature for Catalogued Pump °F. (°C.) | | Steel Fitted Construction Recommended Above This Viscosity SSU (cSt) | Maximum Hydrostatic Pressure PSIG (BAR) | Approximate Shipping Weight With Valve Pounds (KG) |
|--------------|--------------|---------------------|--|---|----------------|-----------------|---|----------------------------|----------------|---|-------------|--|---|--|
| | | | | 25 PSI (2 BAR) | 50 PSI (3 BAR) | 100 PSI (7 BAR) | Less Than 100 SSU | Fuel Oil Less Than 100 SSU | 100 SSU and up | Packed | Mech. Seal | | | |
| C32 | C432 | ¼ | ½ (.11) 1800 | ¼ | ¼ | ¼ | ⑦ 100 | ⑦ 150 | ⑧⑨ 250 | ⑩ 300 (149) | ⑪ 225 (107) | ----- | 750 (50) | 5 (2.3) |
| F32 | F432 | ½ | 1½ (.34) 1800 | ¼ | ¼ | ¼ | ⑦ 100 | ⑦ 150 | ⑧⑨ 250 | ⑩ 300 (149) | ⑪ 225 (107) | ----- | 750 (50) | 6 2.7 |
| FH32 | FH432 | ½ | 3 (.68) 1800 | ¼ | ¼ | ⅓ | ⑦ 100 | ⑦ 150 | ⑧⑨ 250 | ⑩ 300 (149) | ⑪ 225 (107) | ----- | 750 (50) | 6 2.7 |
| G32 | G432 | 1 | 5 (1.1) 1200 | ⅓ | ½ | ¾ | 50 | ----- | 100 | 300 (149) | 225 (107) | ⑫ 25,000 (5,500) | 400 (28) | 15 6.8 |
| H32 | H432 | 1 | 10 (2.3) 1200 | ½ | ¾ | 1½ | 50 | ----- | 100 | 300 (149) | 225 (107) | ⑫ 25,000 (5,500) | 400 (28) | 20 9.1 |
| HL32 | HL432 | 1½ | 20 (4.5) 1200 | ¾ | 1½ | 2 | 50 | ----- | 100 | 300 (149) | 225 (107) | ⑫ 7,500 (1,650) | 400 (28) | 26 11.8 |
| J32 | ----- | 1¼ | 20 (4.5) 420 | ¾ | 1½ | 3 | 50 | ----- | 100 | 300 (149) | ----- | ⑬ 7,500 (1,650) | 400 (28) | 55 25 |
| K32 | ----- | 1½ | 35 (8) 420 | 1 | 2 | 5 | 50 | ----- | 100 | 300 (149) | ----- | 25,000 (5,500) | 400 (28) | 65 29.5 |
| KK32 | ----- | 2 | 50 (11) 420 | 1½ | 3 | 5 | 50 | ----- | 100 | 300 (149) | ----- | 7,500 (1,650) | 400 (28) | 70 31.8 |
| L32 | ----- | 2 | 90 (20) 420 | 3 | 5 | 10 | 50 | ----- | 100 | 300 (149) | ----- | 25,000 (5,500) | 400 (28) | 120 54.5 |
| LQ32 | ----- | ⑥ 2½ | 90 (20) 420 | 3 | 5 | 10 | 50 | ----- | 100 | 300 (149) | ----- | 25,000 (5,500) | 400 (28) | 125 56.8 |
| LL32 | ----- | ⑥ 3 | 140 (32) 520 | 5 | 7½ | 15 | 50 | ----- | 100 | 300 (149) | ----- | 7,500 (1,650) | 400 (28) | 135 61.3 |
| Q32 | ----- | ⑥ 3 | 200 (45) 350 | 7½ | 10 | ----- | 50 | ----- | 75 | 300 (149) | ----- | 7,500 (1,650) | 400 (28) | 335 152.1 |
| M32 | ----- | ⑥ 4 | 280 (63) 280 | 10 | 15 | ----- | 50 | ----- | 75 | 300 (149) | ----- | 25,000 (5,500) | 400 (28) | 500 227 |
| N32 | ----- | ⑥ 5 | 450 (102) 280 | 15 | 25 | ----- | 50 | ----- | 75 | 300 (149) | ----- | 2,500 (550) | 400 (28) | 670 304.2 |

① Buna N elastomer used in Mechanical Seal of 432 Series pumps.

② Valve integral with pump casing. Right-hand port standard.

③ “G” Size pump has steel idler.

④ “Q” Size pump has steel idler.

⑤ Mechanical Seal pumps not recommended on applications with viscosities above 15,000 SSU (3,300 cSt).

⑥ Ports are suitable for use with 125# ANSI cast iron or 150# ANSI steel companion flanges or flanged fittings. All others tapped for standard pipe.

⑦ 50 PSI (3 BAR) maximum for bronze fitted pumps.

⑧ 100 PSI (7 BAR) maximum for bronze fitted pumps.

⑨ With extra clearance, pumps can be used to 500 PSI (34 BAR) on intermittent duty.

⑩ With special construction, temperature to 500°F. can be handled with seal pumps and to 650°F. with packed pumps.

⑪ Not available in steel fitted construction.

⑫ Mechanical seal seat has bronze bushing.

⑬ Check factory before using bronze rotors at viscosities normally requiring steel fitted construction.

Metric conversions are based on US measurements and rounded to the nearest whole number.

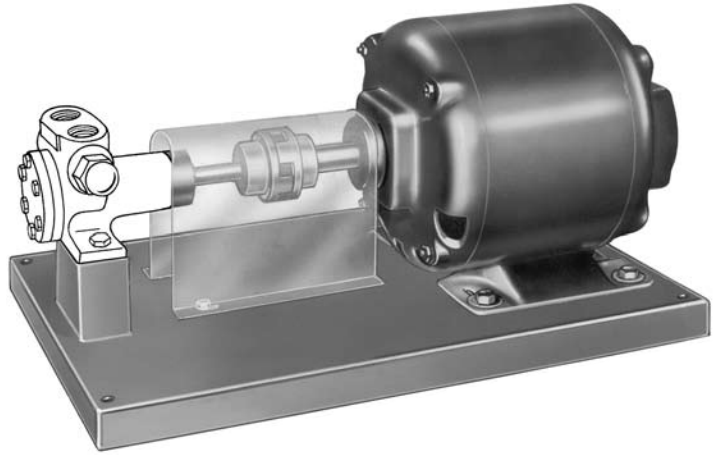
| | |
|---------|-------|
| Section | 310 |
| Page | 310.4 |
| Issue | G |

VIKING® GENERAL PURPOSE PUMPS

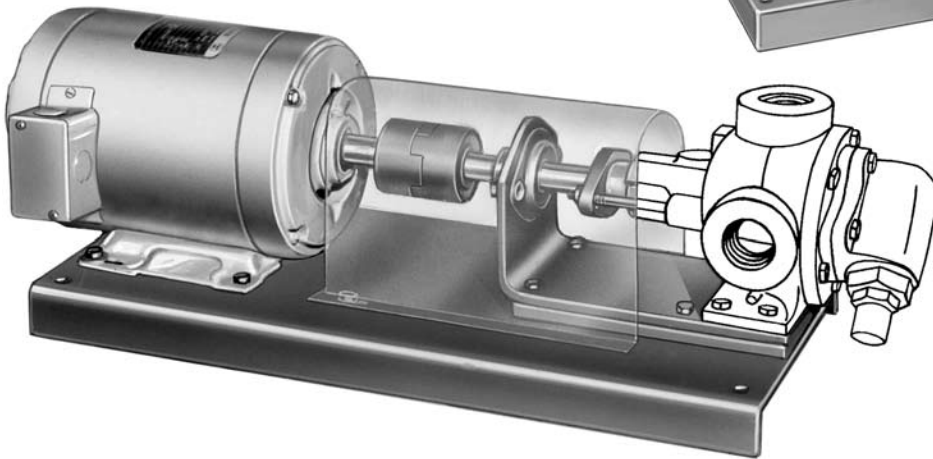
SERIES 32 AND 432

DIRECT CONNECTED UNITS (“D” DRIVE)

SERIES 32 and 432 Pumps
with “D” Drive,
“C”, “F” and “FH” size pumps.



SERIES 32 and 432 Pumps
with “D” Drive,
“G”, “H” and “HL” size pumps.



The direct drive unit incorporating a “C”, “F” or “FH” size pump is direct driven from an 1800 RPM motor. All pumps and motors are connected through flexible couplings with guards and mount on formed steel bases.

The direct drive unit in “G”, “H” or “HL” size include a pump mounted on a short bracket base with a sealed, radial type ball bearing supported shaft. The bracket mounted pump

in turn mounts on a formed steel base and is connected to a 1200 RPM motor through a flexible coupling with guard. This drive arrangement makes a compact, quiet operating unit for all six sizes.

Dimensions for “D” Drive Units—See Pages 310.11 and 310.12.

Performance Data for “D” Drive Units—See Pages 310.19 thru 310.30.

SPECIFICATIONS — “D” DRIVE UNITS

| Model Number | | Port Size | Nominal Pump Rating | Motor Horsepower Required at Rated Speed Pumping 100 SSU Liquid | | | Maximum Recommended Discharge Pressure PSIG | | | Maximum Recommended Temperature for Catalogued Pump °F. (°C.) | | Steel Fitted Construction Recommended Above this Viscosity SSU (cSt) | Maximum Hydrostatic Pressure PSIG (BAR) | Approximate Shipping Weight With Valve (Less Power) Pounds (KG) | |
|--------------|--------------|-----------|---------------------|---|----------------|-----------------|---|----------------------------|----------------|---|-------------|--|---|---|-----------|
| | | | | 25 PSI (2 BAR) | 50 PSI (3 BAR) | 100 PSI (7 BAR) | Less Than 100 SSU | Fuel Oil Less Than 100 SSU | 110 SSU and Up | Packed | Mech. Seal | | | | |
| Packed | ① Mech. Seal | Inches | GPM (m³/hr) | RPM | | | | | | | | | | | |
| C32D | C432D | ¼ | ½ (.11) | 1800 | ¼ | ¼ | ¼ | ② 100 | ② 150 | ③④ 250 | ⑤ 300 (149) | ⑤ 225 (107) | ----- | 750 (52) | 26 (11.8) |
| F32D | F432D | ½ | 1½ (.34) | 1800 | ¼ | ¼ | ¼ | ② 100 | ② 150 | ③④ 250 | ⑤ 300 (149) | ⑤ 225 (107) | ----- | 750 (52) | 27 (12.3) |
| FH32D | FH432D | ½ | 3 (.68) | 1800 | ¼ | ¼ | ⅓ | ② 100 | ② 150 | ③④ 250 | ⑤ 300 (149) | ⑤ 225 (107) | ----- | 750 (52) | 29 (13.2) |
| G32D | G432D | 1 | 5 (1.1) | 1200 | ⅓ | ½ | ¾ | 50 | ----- | 100 | 300 (149) | 225 (107) | ① 25,000 (5,500) | 400 (28) | 45 (20.4) |
| H32D | H432D | 1 | 10 (2.3) | 1200 | ½ | ¾ | 1½ | 50 | ----- | 100 | 300 (149) | 225 (107) | ① 25,000 (5,500) | 400 (28) | 70 (31.8) |
| HL32D | HL432D | 1½ | 20 (4.5) | 1200 | ¾ | 1½ | 2 | 50 | ----- | 100 | 300 (149) | 225 (107) | ① 7,500 (1,650) | 400 (28) | 75 (34.1) |

① Mechanical Seal pumps not recommended on applications with viscosities above 15,000 SSU (3,300 cSt).

② 50 PSI (3 BAR) maximum for bronze fitted pumps.

③ 100 PSI (7 BAR) maximum for bronze fitted pumps.

④ With extra clearance, pumps can be used to 500 PSI (34 BAR) on intermittent duty.

⑤ With special construction, temperatures to 500°F. can be handled with seal pumps and to 650°F. with packed pumps.

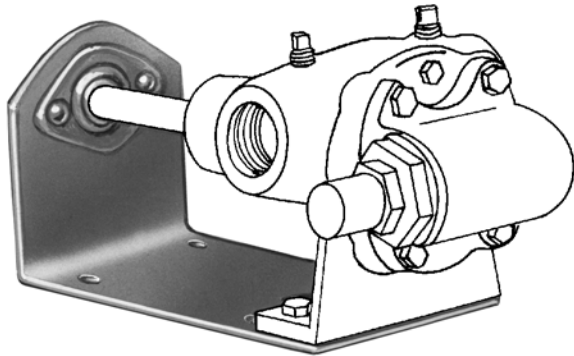
Metric conversions are based on US measurements and rounded to the nearest whole number.

VIKING® GENERAL PURPOSE PUMPS

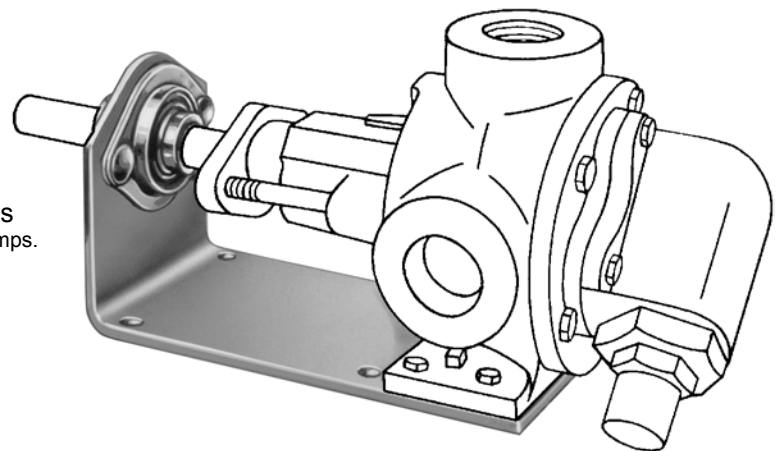
SERIES 32 AND 432

| | |
|---------|-------|
| Section | 310 |
| Page | 310.5 |
| Issue | G |

BRACKET MOUNTED UNIT (“B” DRIVE)



SERIES 32 and 432 Pump
with “B” Drive. “G” size pump.



SERIES 32 and 432 Pumps
with “B” Drive. “H” and “HL” size pumps.

This series of rigid, bracket mounted (“B” drive) units feature a sealed, radial type ball bearing supported shaft, with the pump mounted on a compact formed steel base. The units are built to accept all three size pumps.

V-pulley, coupling or other drive can be mounted on end of pump shaft. “G” size pump furnished with opposite ports only.

These units are especially popular when power is mounted separately from pump. Pumps are exceptionally quiet at reduced speeds and can be furnished with packing or mechanical seal.

Dimensions for “B” Drive Units—See Pages 310.12 and 310.13.

Performance Data for “B” Drive Units—See Pages 310.25 thru 310.30.

SPECIFICATIONS—”B” DRIVE UNITS

| Model Number | | Port Size Inches | Nominal Pump Rating | | Motor Horsepower Required at Rated Speed Pumping 100 SSU Liquid | | Maximum Recommended Discharge Pressure PSIG | | Maximum Recommended Temperature for Catalogued Pump °F. (°C.) | | Steel Fitted Construction Recommended Above this Viscosity SSU (cSt) | Maximum Hydrostatic Pressure PSIG (BAR) | Approximate Shipping Weight With Valve Pounds (KG) |
|--------------|--------------|---------------------|---------------------|------|---|----------------|---|----------------|---|------------|--|---|--|
| Packed | ① Mech. Seal | | GPM (m³/hr) | RPM | 25 PSI (2 BAR) | 50 PSI (3 BAR) | Less Than 100 SSU | 100 SSU and Up | Packed | Mech. Seal | | | |
| G32B | G432B | 1 | 5 (1) | 1200 | 1/3 | 1/2 | 50 | 100 | 300 (149) | 225 (107) | ① 25,000 (5,500) | 400 (28) | 18 (8.2) |
| H32B | H432B | 1 | 10 (2) | 1200 | 1/2 | 3/4 | 50 | 100 | 300 (149) | 225 (107) | ① 25,000 (5,500) | 400 (28) | 23 (10.4) |
| HL32B | HL432B | 1½ | 20 (5) | 1200 | 3/4 | 1½ | 50 | 100 | 300 (149) | 225 (107) | ① 7,500 (1,650) | 400 (28) | 28 (12.7) |

① Mechanical Seal pumps not recommended on applications with viscosities above 15,000 SSU (3,300 cSt).

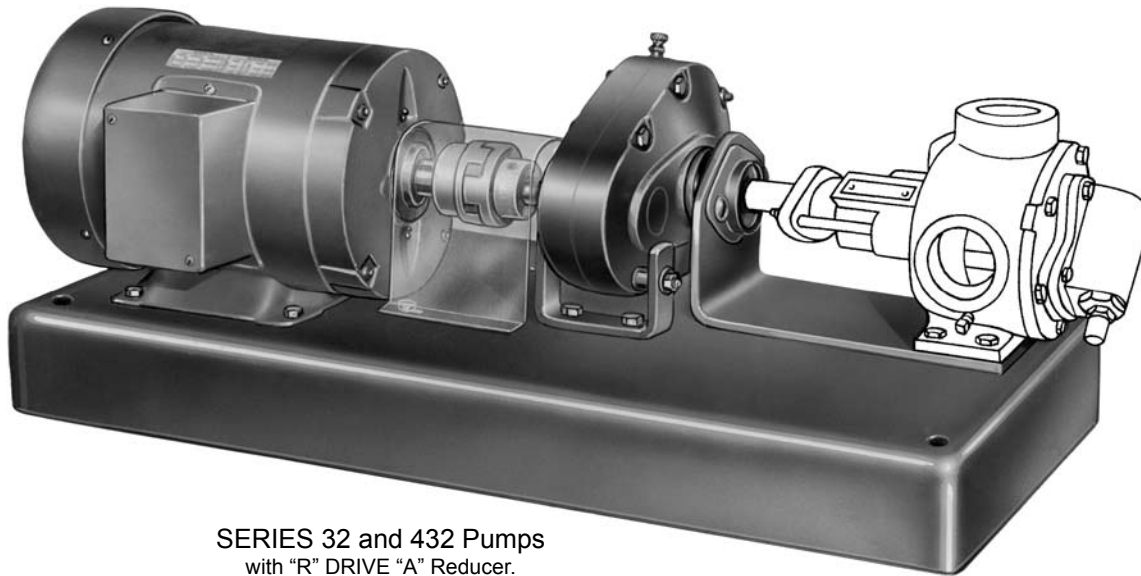
Metric conversions are based on US measurements and rounded to the nearest whole number.

| | |
|---------|-------|
| Section | 310 |
| Page | 310.6 |
| Issue | G |

VIKING® GENERAL PURPOSE PUMPS

SERIES 32 AND 432

VIKING HELICAL GEAR REDUCER UNITS (“R” DRIVE)



SERIES 32 and 432 Pumps
with “R” DRIVE “A” Reducer.
(pump to reducer coupling not illustrated)

The series 32 and 432 in “G”, “H” and “HL” sizes are now available with rugged, compact, exceptionally quiet Viking helical gear reducer.

This small “A” size reducer, available in 3 gear ratios (2.76, 3.43 and 4.17 to 1) is ideally suited for these small pumps with bracket mounting.

With the “A” size reducer and 1200 or 1800 RPM motors, the “G”, “H” and “HL” pumps can be used to cover a capacity range from 1½ to 11 GPM.

Dimensions for “R” type drive units—See Page 310.13.

Performance for “R” type drive units—See Pages 310.25 thru 310.30.

SPECIFICATIONS — “R” DRIVE UNITS

| Model Number | | Port Size | Nominal Pump Rating | | Motor HP Required at Rated Speed Pumping 100 SSU Liquid | | Maximum Recommended Discharge Pressure PSIG | | Maximum Recommended Temperature For Cataloged Pump °F. (°C.) | | Steel Fitted Construction Recommended Above This Viscosity | Maximum Hydrostatic Pressure | Approx. Shipping Weight With Valve |
|--------------|--------------|-----------|---------------------|-----|---|----------------|---|----------------|--|------------|--|------------------------------|------------------------------------|
| Packed | ① Mech. Seal | | GPM (m³/hr) | RPM | 25 PSI (2 BAR) | 50 PSI (3 BAR) | Less Than 100 SSU | 100 SSU and Up | Packed | Mech. Seal | SSU (cSt) | PSIG (BAR) | Pounds (KG) |
| G32R | G432R | 1 | 3 (.7) | 640 | ¼ | ⅓ | 50 | 100 | 300 (149) | 225 (107) | ① 25,000 (5,500) | 400 (28) | 65 (30) |
| H32R | H432R | 1 | 6 (1) | 640 | ¼ | ½ | 50 | 100 | 300 (149) | 225 (107) | ① 25,000 (5,500) | 400 (28) | 70 (32) |
| HL32R | HL432R | 1 | 11 (2) | 640 | ½ | ¾ | 50 | 100 | 300 (149) | 225 (107) | ① 7,500 (1,650) | 400 (28) | 75 (34) |

HELICAL REDUCER SPECIFICATIONS AND PUMP CAPACITY TABLE “A” SIZE

| Motor RPM | Reducer Ratio | Maximum Reducer HP | Pump RPM | Pump Models and Capacities GPM ② With Size “A” Reducer | | | | | |
|-----------|---------------|--------------------|----------|--|----------------|----------------|----------------|-----------------|----------------|
| | | | | G32R or G432R | | H32R or H432R | | HL32R or HL432R | |
| | | | | 25 PSI (2 BAR) | 50 PSI (3 BAR) | 25 PSI (2 BAR) | 50 PSI (3 BAR) | 25 PSI (2 BAR) | 50 PSI (3 BAR) |
| 1800 | 2.76 to 1 | 5 | 640 | 3.3 | 3.2 | 5.6 | 5.4 | 11.3 | 11.1 |
| | 3.43 to 1 | 5 | 520 | 2.7 | 2.6 | 4.6 | 4.4 | 9.2 | 9.0 |
| | 4.17 to 1 | 3 | 420 | 2.2 | 2.1 | 3.8 | 3.6 | 7.5 | 7.2 |
| 1200 | 2.76 to 1 | 3 | 420 | 2.2 | 2.1 | 3.8 | 3.6 | 7.5 | 7.2 |
| | 3.43 to 1 | 3 | 350 | 1.8 | 1.7 | 3.0 | 2.8 | 6.0 | 5.8 |
| | 4.17 to 1 | 2 | 280 | 1.5 | 1.4 | 2.4 | 2.2 | 4.9 | 4.7 |

① Mechanical seal pumps not recommended on applications with viscosities above 15,000 SSU (3,300 cSt). Buna N elastomer used in mechanical seal of 432 series.

② Capacities are based on 100 SSU (21 cSt) liquid and 15" mercury vacuum.

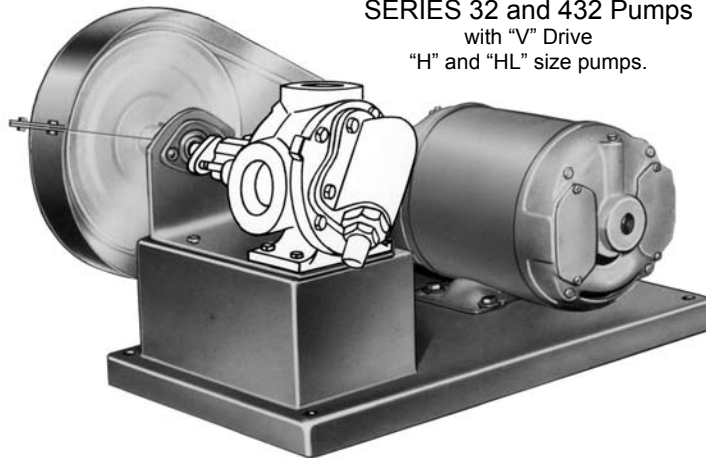
Metric conversions are based on US measurements and rounded to the nearest whole number.

VIKING® GENERAL PURPOSE PUMPS

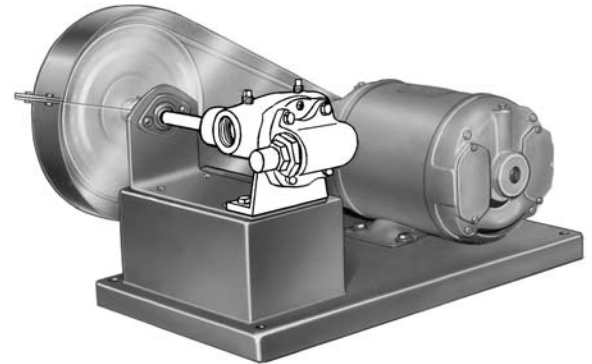
SERIES 32 AND 432

| | |
|---------|-------|
| Section | 310 |
| Page | 310.7 |
| Issue | G |

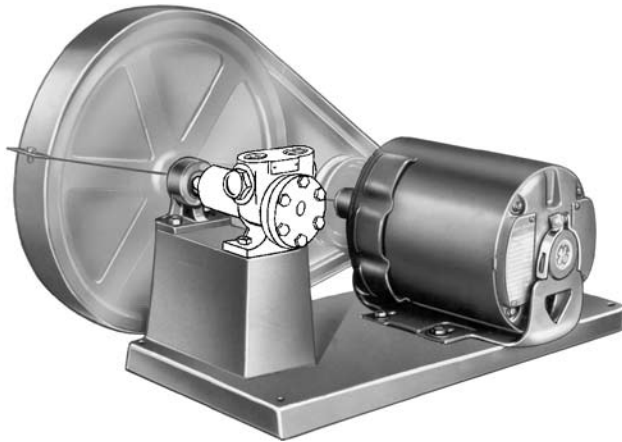
V-BELT DRIVE UNITS (“V” DRIVE) “C” THROUGH “HL” SIZES



SERIES 32 and 432 Pumps
with “V” Drive
“H” and “HL” size pumps.



SERIES 32 and 432 Pumps
with “V” Drive
“G” size pump.



SERIES 32 and 432 Pumps
with “V” Drive
“C”, “F” and “FH” size pumps.

“C”, “F” and “FH” size V-belt drive units are complete with pump, anti-friction bearing pillow block and guarded V-belt drive. Will mount 1200 or 1800 RPM motor with slotted feet.

“G”, “H” and “HL” sizes include pump mounted on short bracket base with a sealed, radial type ball bearing supported shaft. Bracket mounts on formed steel base along with guarded V-belt drive and 1200 or 1800 RPM motor with slotted feet (slide rails used if needed). Maximum standard reduction on all six sizes 4½ to 1, with corresponding decrease in capacity.

Dimensions for “V” Drive Units – See Pages 310.14 and 310.15.

Performance Data for “V” Drive Units – See Pages 310.19 thru 310.30.

SPECIFICATIONS — “V” DRIVE UNITS (“C” THROUGH “HL” SIZES)

| Model Number | | Port Size | Nominal Pump Rating | Motor Horsepower Required at Rated Speed Pumping 100 SSU Liquid | | | Maximum Recommended Discharge Pressure PSIG | | | Maximum Recommended Temperature for Cataloged Pump °F. (°C.) | | Steel Fitted Construction Recommended Above this Viscosity SSU (cSt) | Maximum Hydrostatic Pressure PSIG (BAR) | Approximate Shipping Weight With Valve (Less Power) Pounds (KG) | |
|--------------|------------|-----------|---------------------|---|----------------|-----------------|---|----------------------------|----------------|--|-------------|--|---|---|---------|
| | | | | 25 PSI (2 BAR) | 50 PSI (3 BAR) | 100 PSI (7 BAR) | Less than 100 SSU | Fuel Oil Less than 100 SSU | 100 SSU and Up | Packed | Mech. Seal | | | | |
| Packed | Mech. Seal | Inches | GPM (m³/hr) | Ⓢ RPM | Ⓢ | Ⓢ | Ⓢ | Ⓢ | Ⓢ | Ⓢ | Ⓢ | Ⓢ | Ⓢ | Ⓢ | |
| C32V | ① C432V | ¼ | ½ (.11) | 1800 | ¼ | ¼ | ¼ | ② 100 | ② 150 | ③④ 250 | ⑤ 300 (149) | ⑥ 225 (107) | ----- | 750 (51) | 35 (16) |
| F32V | F432V | ½ | 1½ (.34) | 1800 | ¼ | ¼ | ¼ | ② 100 | ② 150 | ③④ 250 | ⑤ 300 (149) | ⑥ 225 (107) | ----- | 750 (51) | 40 (18) |
| FH32V | FH432V | ½ | 3 (.68) | 1800 | ¼ | ¼ | ⅓ | ② 100 | ② 150 | ③④ 250 | ⑤ 300 (149) | ⑥ 225 (107) | ----- | 750 (51) | 45 (20) |
| G32V | G432V | 1 | 5 (1.1) | 1200 | ⅓ | ½ | ¾ | 50 | ----- | 100 | 300 (149) | 225 (107) | ① 25,000 (5,500) | 400 (28) | 65 (30) |
| H32V | H432V | 1 | 10 (2.3) | 1200 | ½ | ¾ | 1½ | 50 | ----- | 100 | 300 (149) | 225 (107) | ① 25,000 (5,500) | 400 (28) | 70 (32) |
| HL32V | HL432V | 1½ | 20 (4.5) | 1200 | ¾ | 1½ | 2 | 50 | ----- | 100 | 300 (149) | 225 (107) | ① 7,500 (1,650) | 400 (28) | 75 (34) |

① Mechanical Seal pumps not recommended on applications with viscosities above 15,000 SSU (3,300 cSt).

② 50 PSI (3 BAR) maximum for bronze fitted pumps.

③ 100 PSI (7 BAR) maximum for bronze fitted pumps.

④ With extra clearance, pumps can be used to 500 PSI (34 BAR) on intermittent duty.

⑤ With special construction, temperatures to 500°F. can be handled with seal pumps and to 650°F. with packed pumps.

⑥ For standard V-belt reductions, see “Viking Drive Speeds” shown on performance curves.

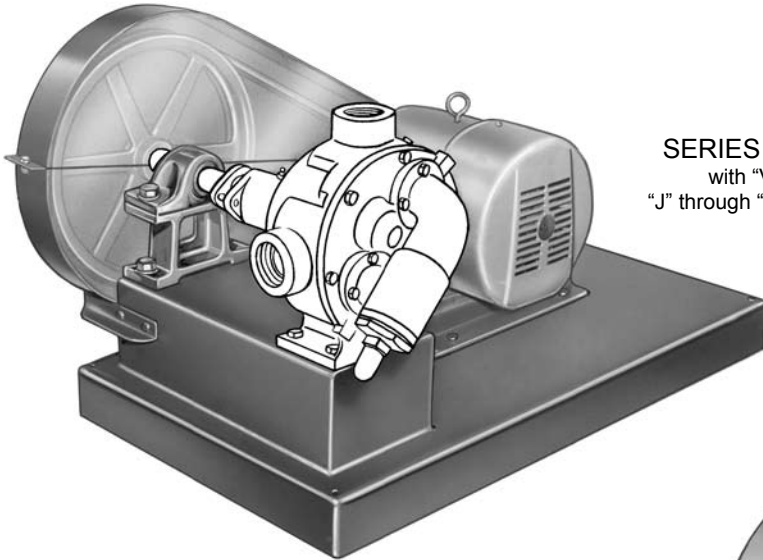
Metric conversions are based on US measurements and rounded to the nearest whole number.

| | |
|---------|-------|
| Section | 310 |
| Page | 310.8 |
| Issue | G |

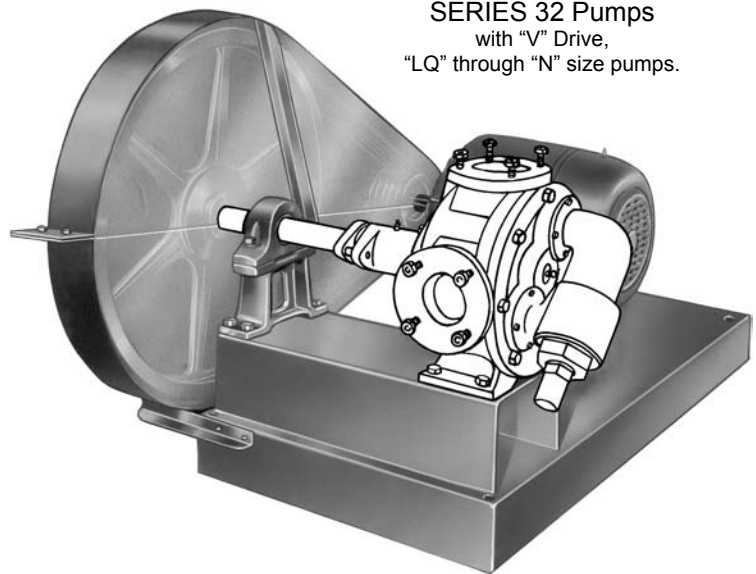
VIKING® GENERAL PURPOSE PUMPS

SERIES 32 AND 432

V-BELT DRIVE UNITS (“V” DRIVE) “J” THROUGH “N” SIZE



SERIES 32 Pumps
with “V” Drive,
“J” through “L” size pumps.



SERIES 32 Pumps
with “V” Drive,
“LQ” through “N” size pumps.

For smooth, quiet, as well as positive transmission of power, the V-belt drive unit is popular in these larger sizes also. Here the General Purpose “J” through “N” size series 32 pump is mounted on formed steel base with pump shaft supported by an anti-friction bearing pillow block. Grooved sheaves with guarded V-belts connect pump to motor. The motor is mounted on slide rail base to keep correct tension on belts. Maximum standard reduction 6 to 1.

Dimensions for “V” Drive Units—See Pages 310.14 and 310.15.

Performance Data for “V” Drive—Units See Pages 310.31 thru 310.46.

SPECIFICATIONS — “V” DRIVE UNITS (“J” THROUGH “N” SIZES)

| Model Number | Port Size | Nominal Pump Rating | | Motor Horsepower Required at Rated Speed Pumping 100 SSU Liquid | | Maximum Recommended Discharge Pressure PSIG | | Maximum Recommended Temperature for Catalogued Pump °F. (°C.) | Steel Fitted Construction Recommended Above this Viscosity SSU (cSt) | Maximum Hydrostatic Pressure PSIG (BAR) | Approximate Shipping Weight With Valve (Less Power) Pounds (KG) |
|--------------|-----------|---------------------|-------|---|----------------|---|----------------|---|--|---|---|
| | | | | 25 PSI (2 BAR) | 50 PSI (3 BAR) | Less Than 100 SSU | 100 SSU and Up | | | | |
| Packed | Inches | GPM (m³/hr) | ③ RPM | | | | | Packed | | | |
| J32V | 1 | 20 (5) | 420 | | 1 | 50 | 100 | 300 (149) | ② 7,500 (1,650) | 400 (28) | 200 (91) |
| K32V | 1 | 35 (8) | 420 | 1 | 2 | 50 | 100 | 300 (149) | 25,000 (5,500) | 400 (28) | 210 (95) |
| KK32V | 2 | 50 (11) | 420 | 1 | 3 | 50 | 100 | 300 (149) | 7,500 (1,650) | 400 (28) | 215 (98) |
| L32V | 2 | 90 (20) | 420 | 3 | 5 | 50 | 100 | 300 (149) | 25,000 (5,500) | 400 (28) | 280 (127) |
| LQ32V | ① 2 | 90 (20) | 420 | 3 | 5 | 50 | 100 | 300 (149) | 25,000 (5,500) | 400 (28) | 290 (132) |
| LL32V | ① 3 | 140 (32) | 520 | 5 | 7 | 50 | 100 | 300 (149) | 7,500 (1,650) | 400 (28) | 315 (143) |
| Q32V | ① 3 | 200 (45) | 350 | 7 | 10 | 50 | 75 | 300 (149) | 7,500 (1,650) | 400 (28) | 750 (341) |
| M32V | ① 4 | 280 (64) | 280 | 10 | 15 | 50 | 75 | 300 (149) | 25,000 (5,500) | 400 (28) | 1100 (500) |
| N32V | ① 5 | 450 (102) | 280 | 15 | 25 | 50 | 75 | 300 (149) | 2,500 (550) | 400 (28) | 1300 (590) |

① Ports are suitable for use with 125# ANSI cast iron or 150# ANSI steel companion flanges or flanged fittings. All others tapped for standard pipe.

② Not available in steel fitted construction.

③ For standard V-belt reductions, see “Viking Drive Speeds” shown on performance curves.

Metric conversions are based on US measurements and rounded to the nearest whole number.

VIKING® GENERAL PURPOSE PUMPS

SERIES 32 AND 432

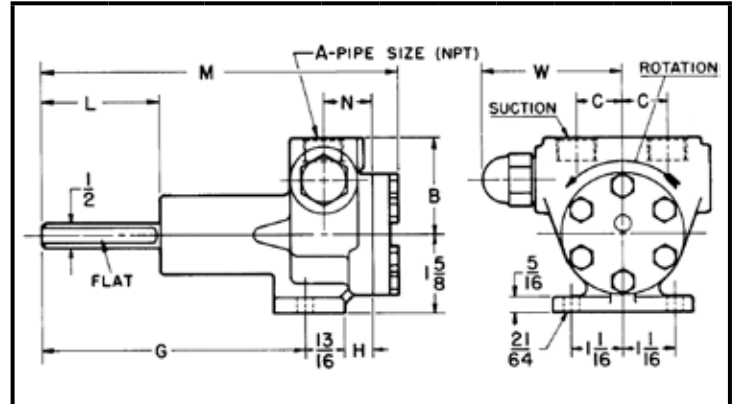
| | |
|---------|-------|
| Section | 310 |
| Page | 310.9 |
| Issue | G |

DIMENSIONS

These dimensions are average and not for construction purposes. Certified prints on request.

For specifications, see page 310.3.

DIMENSIONS— 32 AND 432 SERIES UNMOUNTED PUMPS “C”-“F”-“FH” SIZE

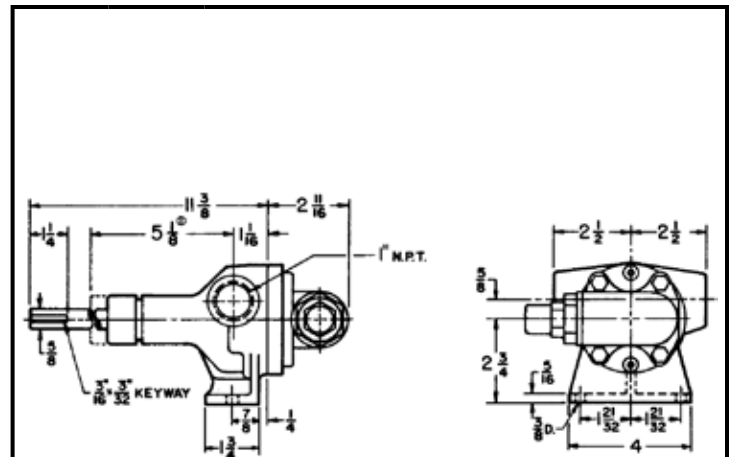


| MODEL NO. | | A | B | C | G | H | L | M | N | W |
|-----------|-------|-----|---------|--------|---------|--------|-------|---------|-----|--------|
| PACKED | SEAL | | | | | | | | | |
| C32 | C432 | 1/4 | 1 11/16 | 3/4 | 4 25/32 | 1 7/32 | 2 1/4 | 6 11/16 | 7/8 | 2 9/16 |
| F32 | F432 | 1/2 | 2 | 1 5/16 | 5 | 1 9/32 | 2 | 7 | 1 | 2 7/8 |
| FH32 | FH432 | 1/2 | 2 | 1 5/16 | 5 3/8 | 1 9/32 | 2 3/8 | 7 3/8 | 1 | 2 7/8 |

Note: Standard right hand pump pictured. Left hand casing furnished only on special order.

For specifications, see page 310.3.

DIMENSIONS— 32 AND 432 SERIES UNMOUNTED PUMPS “G” SIZE



| MODEL NO. | |
|-----------|------|
| PACKED | SEAL |
| G32 | G432 |

① Minimum dimension for repacking. Assembled dimension on seal pumps 3 1/16".

| | |
|---------|--------|
| Section | 310 |
| Page | 310.10 |
| Issue | H |

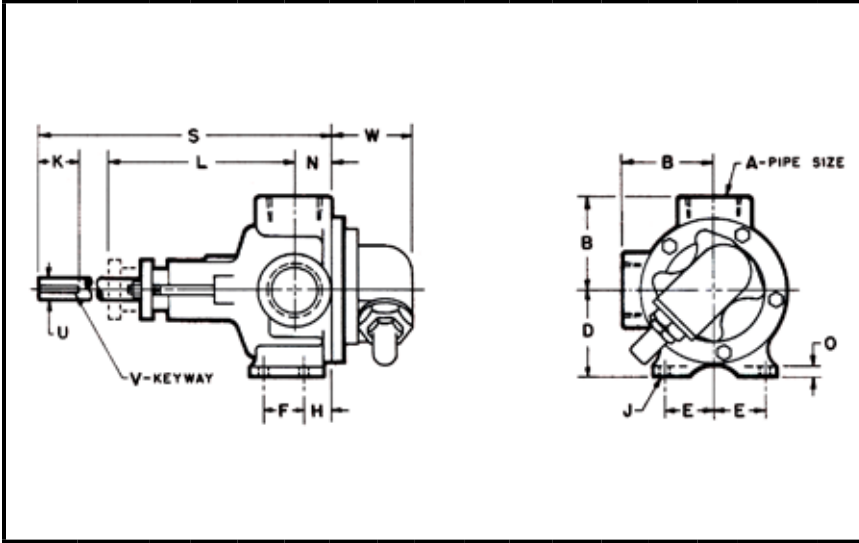
VIKING® GENERAL PURPOSE PUMPS

SERIES 32 AND 432

DIMENSIONS

These dimensions are average and not for construction purposes. Certified prints on request.

For specifications, see page 310.3.

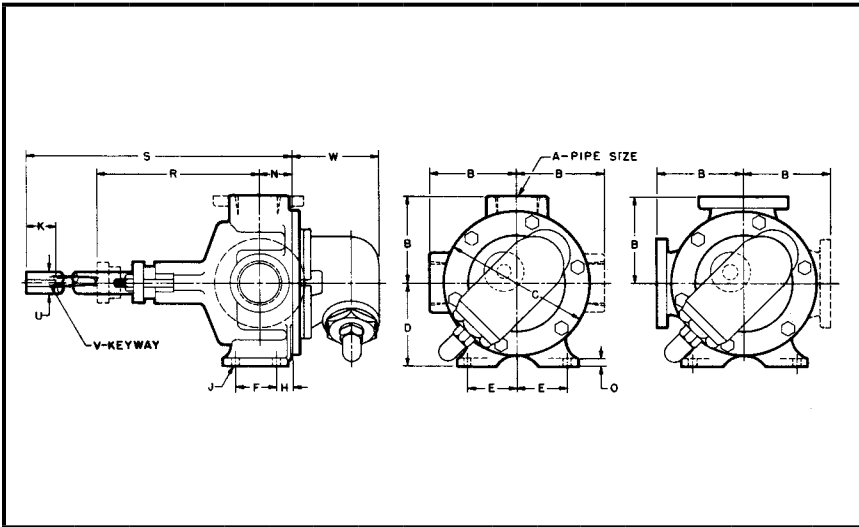


DIMENSIONS— 32 AND 432 SERIES UNMOUNTED PUMPS “H”-“HL” SIZE

| MODEL NO. | | A | B | D | E | F | H | J | K | Ⓛ | N | O | S | U | V | W |
|-----------|-------|-------------------------------|-------------------------------|-------------------------------|-------------------------------|--------------------------------|-------------------------------|--------------------------------|-------------------------------|-------------------------------|--------------------------------|--------------------------------|--------------------------------|-------------------------------|---|-------------------------------|
| PACKED | SEAL | | | | | | | | | | | | | | | |
| H32 | H432 | 1 | 2 ⁷ / ₈ | 2 ³ / ₄ | 1 ⁵ / ₈ | 1 ⁵ / ₁₆ | 7 ⁸ / ₈ | 1 ¹ / ₃₂ | 1 ³ / ₄ | 5 ³ / ₄ | 7 ⁸ / ₈ | 5 ⁵ / ₁₆ | 11 ³ / ₈ | 3 ⁴ / ₄ | 3 ¹ / ₁₆ X 3 ³ / ₃₂ | 2 ⁷ / ₈ |
| HL32 | HL432 | 1 ¹ / ₂ | 3 | 2 ³ / ₄ | 1 ⁵ / ₈ | 1 ⁵ / ₁₆ | 7 ⁸ / ₈ | 1 ¹ / ₃₂ | 1 ³ / ₄ | 6 | 1 ³ / ₁₆ | 5 ⁵ / ₁₆ | 11 ³ / ₈ | 3 ⁴ / ₄ | 3 ¹ / ₁₆ X 3 ³ / ₃₂ | 2 ⁷ / ₈ |

Ⓛ Minimum dimension for repacking. Assembled dimension on seal pumps: 3⁷/₈" for Model H432, 4¹/₂" for Model HL432.

For specifications, see page 310.3.



DIMENSIONS— 32 SERIES UNMOUNTED PUMPS “J”-“LQ” SIZE

| MODEL NO. | A | B | C | D | E | F | H | J | K | N | O | Ⓜ | S | U | V | W |
|-----------|---------------------------------|--------------------------------|--------------------------------|-------------------------------|-------------------------------|-------------------------------|--------------------------------|--------------------------------|-------------------------------|-------------------------------|--------------------------------|-------------------------------|----------------------------------|--------------------------------|--|-------------------------------|
| J32 | 1 ¹ / ₄ | 4 ⁷ / ₈ | 8 | 4 ⁵ / ₈ | 2 ⁷ / ₈ | | 1 ⁹ / ₁₆ | 1 ⁵ / ₃₂ | 2 ³ / ₄ | 1 ¹ / ₄ | 7 ¹ / ₁₆ | 6 ⁷ / ₈ | 16 ¹⁵ / ₁₆ | 1 ¹ / ₈ | 1 ¹ / ₄ X 1 ¹ / ₈ | 5 ¹ / ₈ |
| K32 | 1 ¹ / ₂ | 4 ⁷ / ₈ | 8 | 4 ⁵ / ₈ | 2 ⁷ / ₈ | 2 ¹ / ₄ | 7 ⁸ / ₈ | 1 ³ / ₃₂ | 3 | 1 ³ / ₄ | 7 ¹ / ₁₆ | 7 ¹ / ₈ | 18 ¹ / ₄ | 1 ¹ / ₈ | 1 ¹ / ₄ X 1 ¹ / ₈ | 5 ¹ / ₈ |
| KK32 | 2 | 4 ⁷ / ₈ | 8 | 4 ⁵ / ₈ | 2 ⁷ / ₈ | 2 ¹ / ₄ | 7 ⁸ / ₈ | 1 ³ / ₃₂ | 3 | 1 ³ / ₄ | 7 ¹ / ₁₆ | 7 ⁵ / ₈ | 18 ³ / ₄ | 1 ¹ / ₈ | 1 ¹ / ₄ X 1 ¹ / ₈ | 5 ¹ / ₈ |
| L32 | 2 | 6 ¹ / ₂ | 10 ¹ / ₄ | 6 | 2 ⁷ / ₈ | 3 | 1 | 1 ⁵ / ₃₂ | 3 | 1 ³ / ₄ | 1 ¹ / ₂ | 9 ¹ / ₈ | 21 ¹ / ₄ | 1 ⁷ / ₁₆ | 3 ³ / ₈ X 3 ¹ / ₁₆ | 5 ³ / ₈ |
| LQ32 | Ⓛ 2 ¹ / ₂ | 7 ³ / ₁₆ | 10 ¹ / ₄ | 6 | 2 ⁷ / ₈ | 3 | 1 | 1 ⁵ / ₃₂ | 3 | 1 ³ / ₄ | 1 ¹ / ₂ | 9 ⁷ / ₈ | 21 ¹ / ₄ | 1 ⁷ / ₁₆ | 3 ³ / ₈ X 3 ¹ / ₁₆ | 5 ³ / ₈ |

Ⓛ Ports are suitable for use with 125# ANSI cast iron or 150# ANSI steel companion flanges or flanged fittings. All others tapped for standard pipe.
Ⓜ Minimum dimension for repacking.

VIKING® GENERAL PURPOSE PUMPS

SERIES 32 AND 432

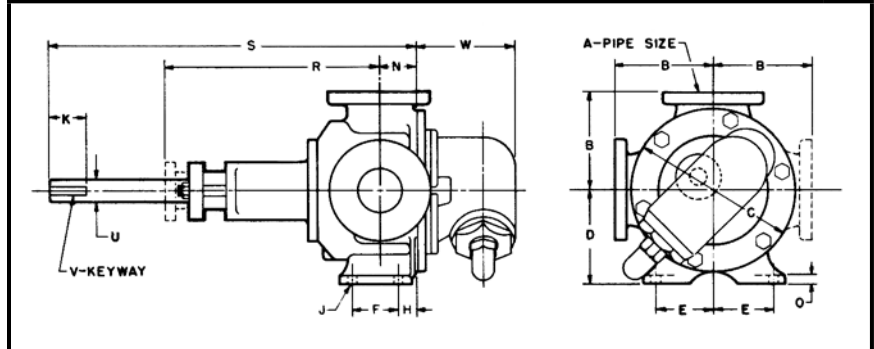
| | |
|---------|--------|
| Section | 310 |
| Page | 310.11 |
| Issue | H |

DIMENSIONS

These dimensions are average and not for construction purposes. Certified prints on request.

For specifications, see page 310.3.

DIMENSIONS— 32 SERIES UNMOUNTED PUMPS “LL”-“N” SIZE

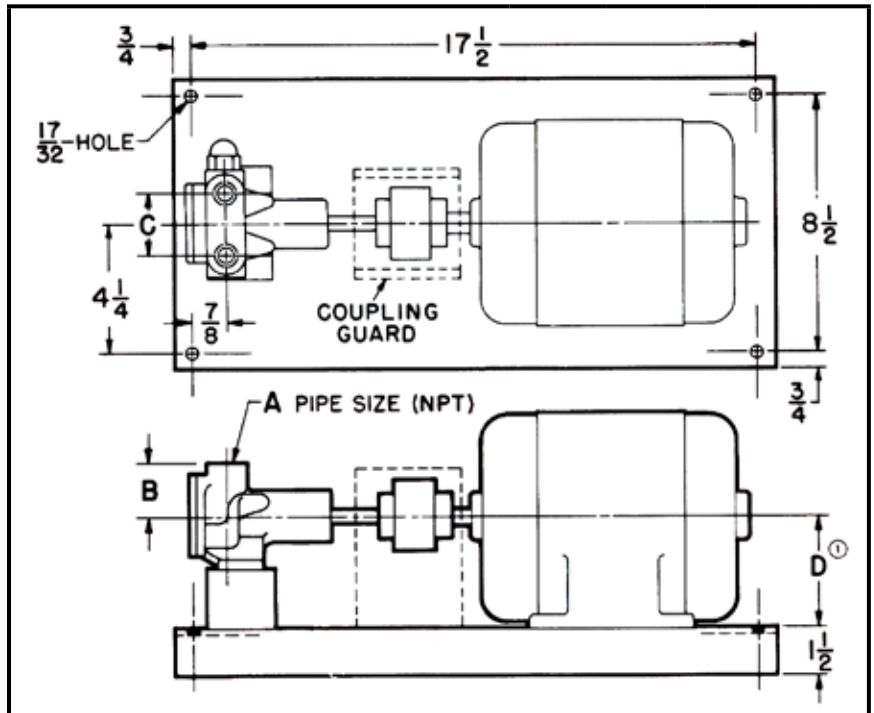


| MODEL NO. | ① A | B | C | D | E | F | H | J | K | N | O | ② R | S | U | V | W |
|-----------|-----|--------------------------------|--------------------------------|-------------------------------|-------------------------------|-------------------------------|--------------------------------|--------------------------------|---|-------------------------------|-----|--------------------------------|--------------------------------|---------------------------------|--------------------------------------|--------------------------------|
| LL32 | 3 | 7 ³ / ₁₆ | 10 ¹ / ₄ | 6 | 2 ⁷ / ₈ | 3 | 1 ¹ / ₂ | 1 ⁵ / ₃₂ | 3 | 2 ¹ / ₄ | 1/2 | 12 ¹ / ₈ | 21 ³ / ₄ | 1 ⁷ / ₁₆ | 3/8 x 3 ¹ / ₁₆ | 5 ³ / ₈ |
| 032 | 3 | 7 ³ / ₄ | 14 | 7 ³ / ₄ | 4 ¹ / ₈ | 4 ¹ / ₄ | 1 ⁵ / ₈ | 1 ¹ / ₁₆ | 5 | 3 | 5/8 | 13 ³ / ₈ | 33 ¹ / ₂ | 1 ¹⁵ / ₁₆ | 1/2 x 1/4 | 8 ³ / ₁₆ |
| M32 | 4 | 9 ¹ / ₂ | 17 ¹ / ₄ | 9 ¹ / ₂ | 5 | 6 ¹ / ₄ | 1 ⁷ / ₁₆ | 1 ¹ / ₁₆ | 5 | 4 | 3/4 | 13 ³ / ₈ | 34 | 1 ¹⁵ / ₁₆ | 1/2 x 1/4 | 8 ¹ / ₂ |
| N32 | 5 | 9 ¹ / ₂ | 17 ¹ / ₄ | 9 ¹ / ₂ | 5 | 6 ¹ / ₄ | 1 ⁵ / ₈ | 1 ¹ / ₁₆ | 5 | 4 ¹ / ₂ | 1 | 20 ⁷ / ₈ | 34 | 2 ⁷ / ₁₆ | 5/8 x 5 ¹ / ₁₆ | 8 ¹ / ₂ |

① Ports are suitable for use with 125# ANSI cast iron or 150# ANSI steel companion flanges or flanged fittings.
 ② Minimum dimension for repacking.

For specifications, see page 310.4.

DIMENSIONS— 32 AND 432 SERIES ("D" DRIVE) “C”-“F”-“FH” SIZE



| MODEL NO. | | A | B | C |
|-----------|--------|-----|--------------------------------|-------------------------------|
| PACKED | SEAL | | | |
| C32D | C432D | 1/4 | 1 ¹ / ₁₆ | 1 ¹ / ₂ |
| F32D | F432D | 1/2 | 2 | 1 ⁷ / ₈ |
| FH32D | FH432D | 1/2 | 2 | 1 ⁷ / ₈ |

① Centerheight is 3" with 48 frame motor.
 Centerheight is 3¹/₂" with 56 frame motor.

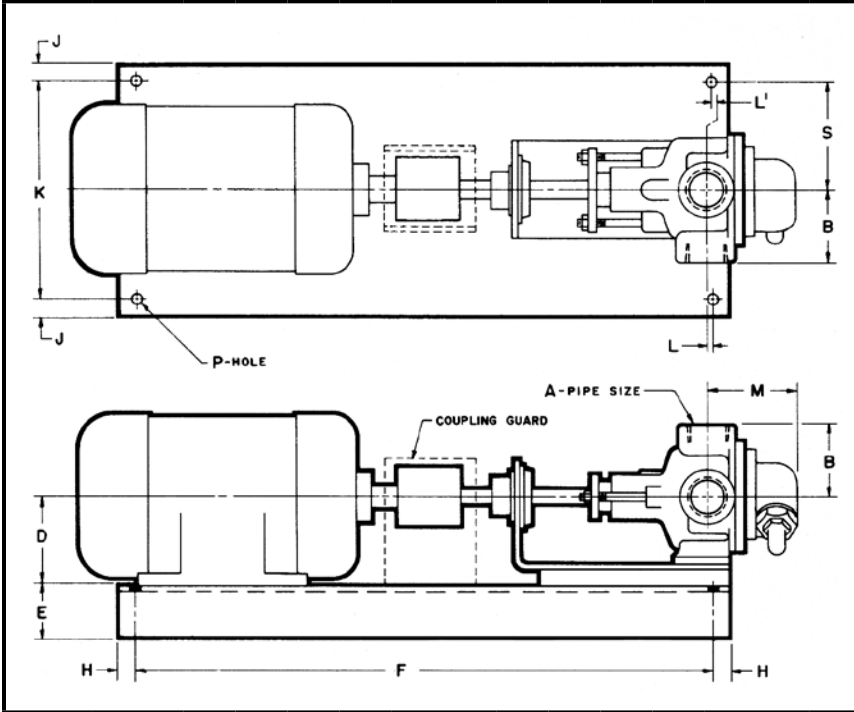
| | |
|---------|--------|
| Section | 310 |
| Page | 310.12 |
| Issue | G |

VIKING® GENERAL PURPOSE PUMPS

SERIES 32 AND 432

DIMENSIONS

These dimensions are average and not for construction purposes. Certified prints on request.

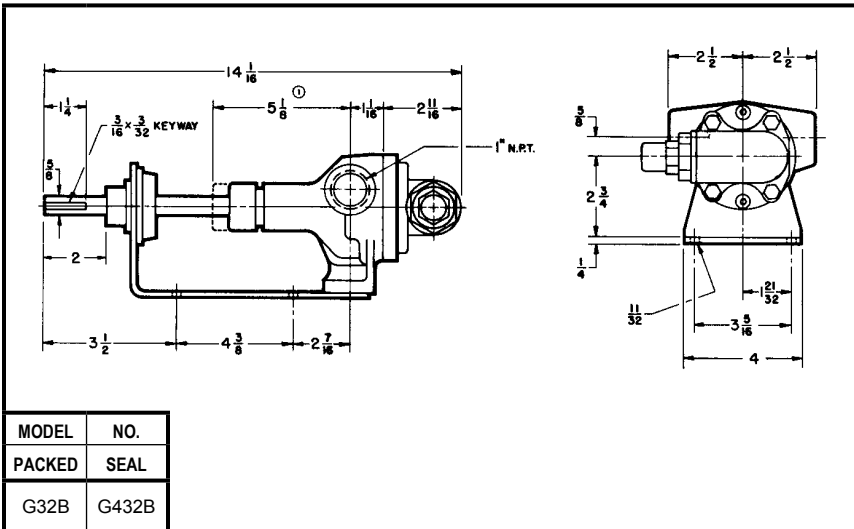


For specifications, see page 310.4.

DIMENSIONS— 32 AND 432 SERIES ("D" DRIVE) "G"- "H"- "HL" SIZE

| MODEL NO. | | A | B | D | E | F | H | J | K | L | L ₁ | M | P | S |
|-----------|--------|----|----|-----|---------------------------------|-----|---|----|----|------|----------------|----|------|----|
| PACKED | SEAL | | | | | | | | | | | | | |
| ①G32D | ①G432D | 1 | 2½ | ③3½ | 1½ | 20½ | ¾ | ¾ | 8½ | | 5/32 | 3¾ | ½ | 4¼ |
| H32D | H432D | 1 | 2⅞ | ③3½ | 1½ | 20½ | ¾ | ¾ | 8½ | | 1/8 | 3¾ | ½ | 4¼ |
| HL32D | HL432D | 1½ | 3 | ③3½ | 1½ | 20½ | ¾ | ¾ | 8½ | 3/16 | | 4¼ | ½ | 4¼ |
| ①G32D | ①G432D | 1 | 2½ | ④4½ | 2 ¹⁵ / ₁₆ | 25 | 1 | 1½ | 9 | 1 | | 3¾ | 9/16 | 4½ |
| H32D | H432D | 1 | 2⅞ | ④4½ | 2 ¹⁵ / ₁₆ | 25 | 1 | 1½ | 9 | 1¼ | | 3¾ | 9/16 | 4½ |
| HL32D | HL432D | 1 | 3 | ④4½ | 2 ¹⁵ / ₁₆ | 25 | 1 | 1½ | 9 | 1⅜ | | 4¼ | 9/16 | 4½ |

- ① All "G" pumps are equipped with opposite ports with openings 5/8" above shaft center line. See drawing page 310.9.
- ② For motor frames 56, 143T and 145T.
- ③ For motor frames 182, 182T, 184 and 184T. Frame 48 (3" center line), smaller base required. Frame 213 on up, larger base required.



For specifications, see page 310.5.

DIMENSIONS— 32 AND 432 SERIES ("B" DRIVE) "G" SIZE

| MODEL | NO. |
|--------|-------|
| PACKED | SEAL |
| G32B | G432B |

- ① Minimum dimension for repacking. Assembled dimension for seal pump 3/16.

VIKING® GENERAL PURPOSE PUMPS

SERIES 32 AND 432

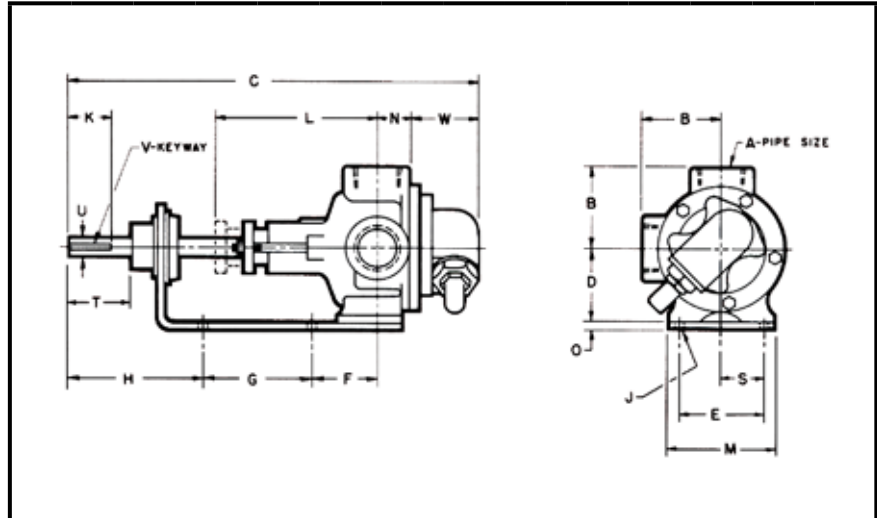
| | |
|---------|--------|
| Section | 310 |
| Page | 310.13 |
| Issue | G |

DIMENSIONS

These dimensions are average and not for construction purposes. Certified prints on request.

For specifications, see page 310.5.

DIMENSIONS— 32 AND 432 SERIES ("B" DRIVE) "H"- "HL" SIZE

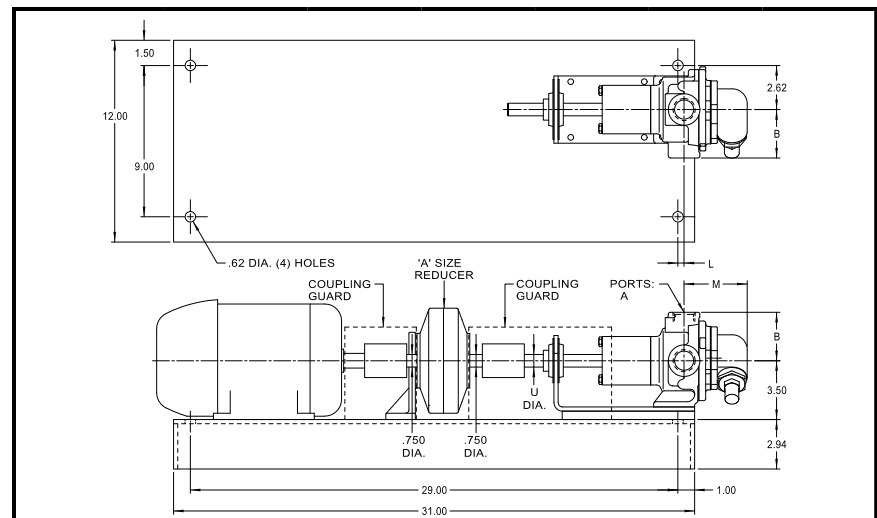


① Minimum dimension for repacking. Assembled dimension on seal pumps: 3/8" – for Model H432B, 4 1/2" – for Model HL432B.

| MODEL NO. | | A | B | C | D | E | F | G | H | J | K | ① L | M | N | O | S | T | U | V | W |
|-----------|--------|-------|-------|--------|-------|---------|-------|-------|-------|--------|-------|-------|---|--------|-----|---------|--------|-----|-------------|-------|
| PACKED | SEAL | | | | | | | | | | | | | | | | | | | |
| H32B | H432B | 1 | 2 7/8 | 14 1/4 | 2 3/4 | 3 15/16 | 2 3/4 | 4 3/8 | 3 3/4 | 1 1/32 | 1 1/4 | 5 3/4 | 4 | 7/8 | 1/4 | 1 21/32 | 2 3/16 | 3/4 | 3/16 X 3/32 | 2 7/8 |
| HL32B | HL432B | 1 1/2 | 3 | 14 | 2 3/4 | 3 15/16 | 2 3/4 | 4 3/8 | 3 1/2 | 1 1/32 | 1 1/4 | 6 | 4 | 1 3/16 | 1/4 | 1 21/32 | 2 | 3/4 | 3/16 X 3/32 | 2 7/8 |

For specifications, see Page 310.6.

DIMENSIONS— 32 AND 432 SERIES ("R" DRIVE) "G"- "H"- "HL" SIZE "A" REDUCER



| MODEL NO. | | A | B | L | M | U |
|-----------|---------|-------|-------|------|--------|-----|
| PACKED | SEAL | | | | | |
| ① G32R | ① G432R | 1 | 2 1/2 | 5/8 | 3 3/4 | 5/8 |
| H32R | H432R | 1 | 2 7/8 | 9/16 | 3 3/4 | 3/4 |
| HL32R | HL432R | 1 1/2 | 3 | 1/4 | 4 1/16 | 3/4 |

① All "G" pumps are equipped with opposite ports with openings 5/8" above shaft center line. See drawing page 310.9.

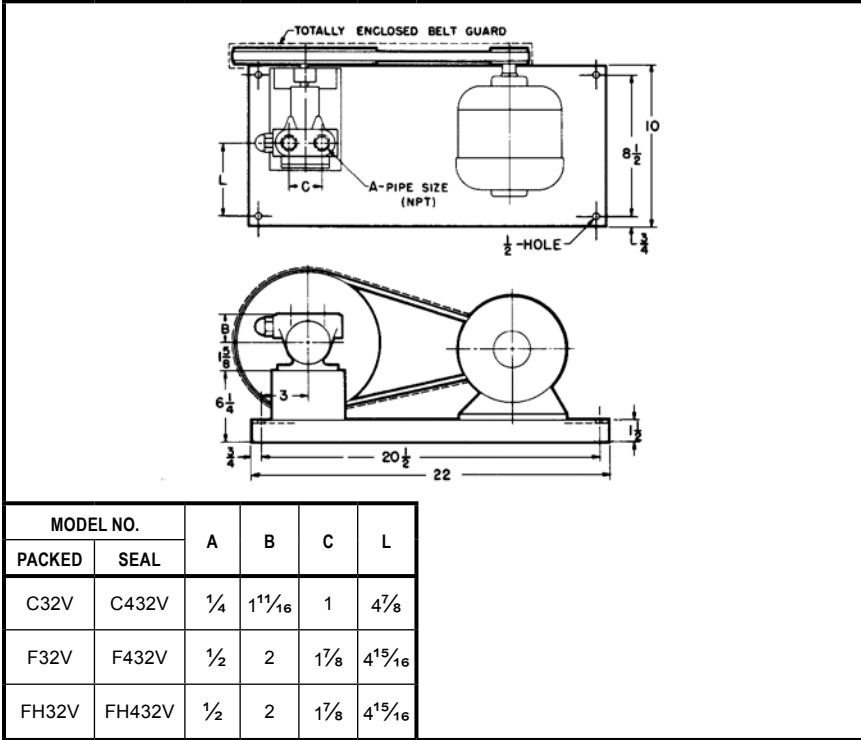
| | |
|---------|--------|
| Section | 310 |
| Page | 310.14 |
| Issue | G |

VIKING® GENERAL PURPOSE PUMPS

SERIES 32 AND 432

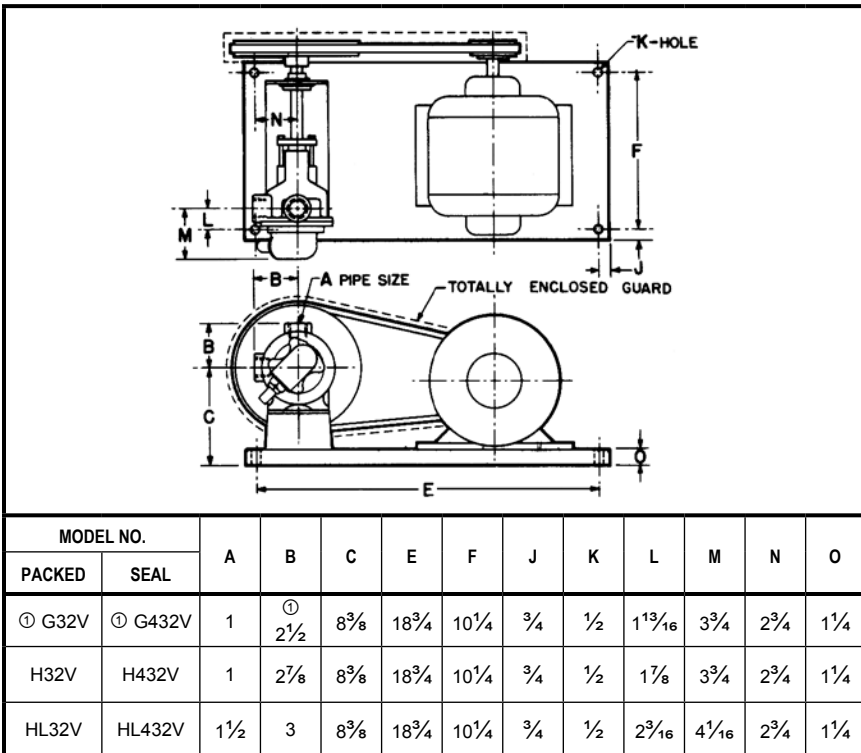
DIMENSIONS

These dimensions are average and not for construction purposes. Certified prints on request.



For specifications, see page 310.7.

DIMENSIONS— 32 AND 432 SERIES ("V" DRIVE) "C"—"F"—"FH" SIZE



For specifications, see page 310.7.

DIMENSIONS— 32 AND 432 SERIES ("V" DRIVE) "G"—"H"—"HL"

① All "G" pumps are equipped with opposite ports with openings 5/8" above shaft center line. See drawing page 310.9.

Base shown for motor frame 56 and smaller. Larger Base always required with motor frames 143T, 145T, 182, 182T, 184, 184T.

VIKING® GENERAL PURPOSE PUMPS

SERIES 32 AND 432

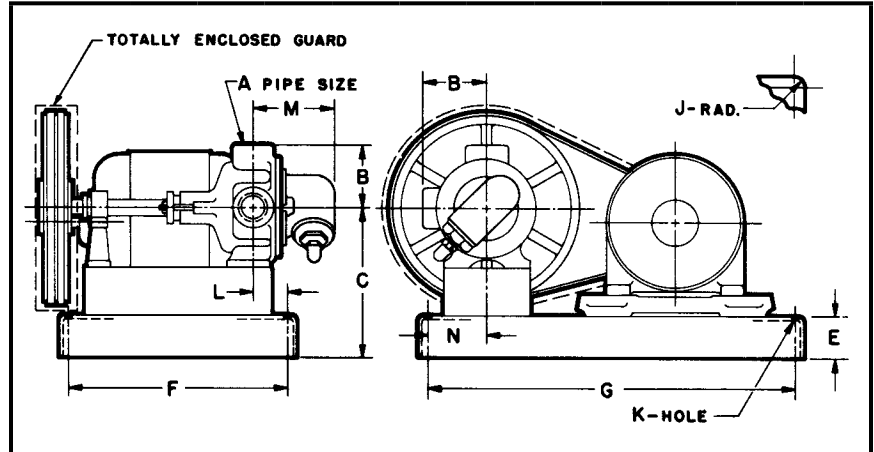
| | |
|---------|--------|
| Section | 310 |
| Page | 310.15 |
| Issue | G |

DIMENSIONS

These dimensions are average and not for construction purposes. Certified prints on request.

For specifications, see page 310.8.

DIMENSIONS— 32 SERIES ("V" DRIVE) "J"—"LQ" SIZE

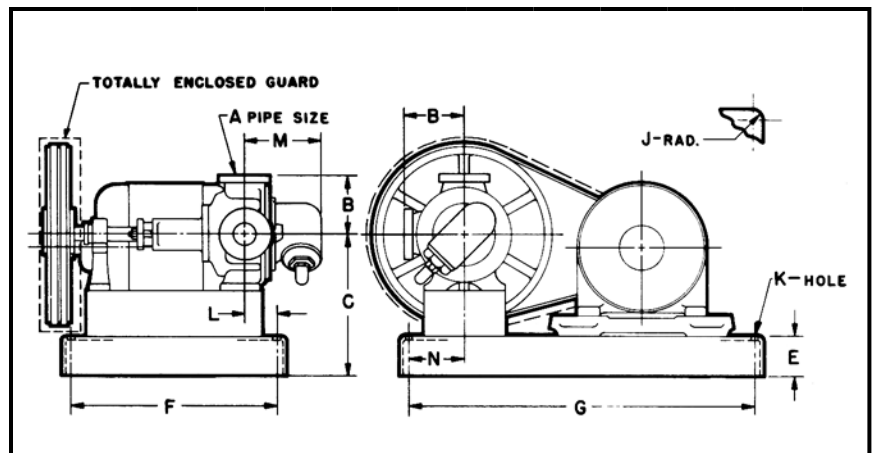


| MODEL NO. | A | B | C | E | F | G | J | K | L | M | N |
|-----------|------|----|-----|----|-----|-----|---|---|----|----|----|
| J32V | 1¼ | 4⅞ | 13⅞ | 3¼ | 17 | 28¾ | 1 | ½ | ¾ | 6¼ | 4⅞ |
| K32V | 1½ | 4⅞ | 13⅞ | 3¼ | 17 | 28¾ | 1 | ½ | 2⅞ | 6⅞ | 4⅞ |
| KK32V | 2 | 4⅞ | 13⅞ | 3¼ | 17 | 28¾ | 1 | ½ | 2⅞ | 6⅞ | 4⅞ |
| L32V | 2 | 6½ | 15½ | 3½ | 18½ | 31 | 1 | ⅝ | 1⅞ | 7⅞ | 6½ |
| LQ32V | ① 2½ | 7⅞ | 15½ | 3½ | 18½ | 31 | 1 | ⅝ | 1⅞ | 7⅞ | 6½ |

① Ports are suitable for use with 125# ANSI cast iron or 150# ANSI steel companion flanges or flanged fittings. All others tapped for standard pipe.

For specifications, see page 310.8.

DIMENSIONS— 32 SERIES ("V" DRIVE) "LL"—"N" SIZE



| MODEL NO. | ① A | B | C | E | F | G | J | K | L | M | N |
|-----------|-----|----|-------|----|-----|----|----|-------|----|-----|----|
| LL 32V | 3 | 7⅞ | 15½ | 3½ | 18½ | 31 | 1 | ⅝ | 1⅞ | 7⅞ | 6½ |
| Q32V | 3 | 7¾ | ② 13¾ | 6 | 27 | 49 | 1½ | 13/16 | 2⅞ | 11¾ | 8½ |
| M32V | 4 | 9½ | ③ 15½ | 6 | 27 | 49 | 1½ | 13/16 | 3⅞ | 12½ | 8½ |
| N32V | 5 | 9½ | 20½ | 6 | 27 | 49 | 1½ | 13/16 | 3⅞ | 13 | 9½ |

① Ports are suitable for use with 125# ANSI cast iron or 150# ANSI steel companion flanges or flanged fittings.
 ② Dimension "C" (13¾) shown is for 19" or 25" O.D. sheave (lesser reductions). Dimension "C" is 20¾" when 33.5" O.D. sheave is used (maximum reduction).
 ③ Dimension "C" (15½) shown is for 19" or 25" O.D. sheave (lesser reductions). Dimension "C" is 22" when 33.5" O.D. sheave is used (maximum reduction)