

Evapco PMCB 600 Condenser.



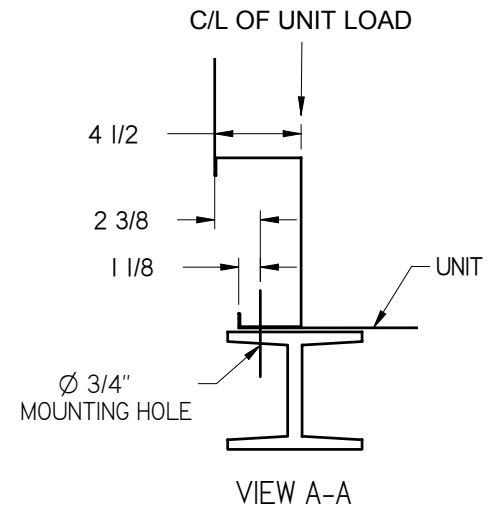
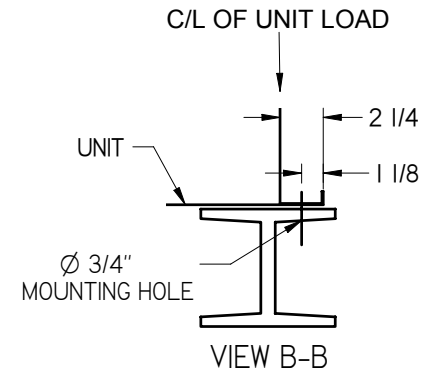
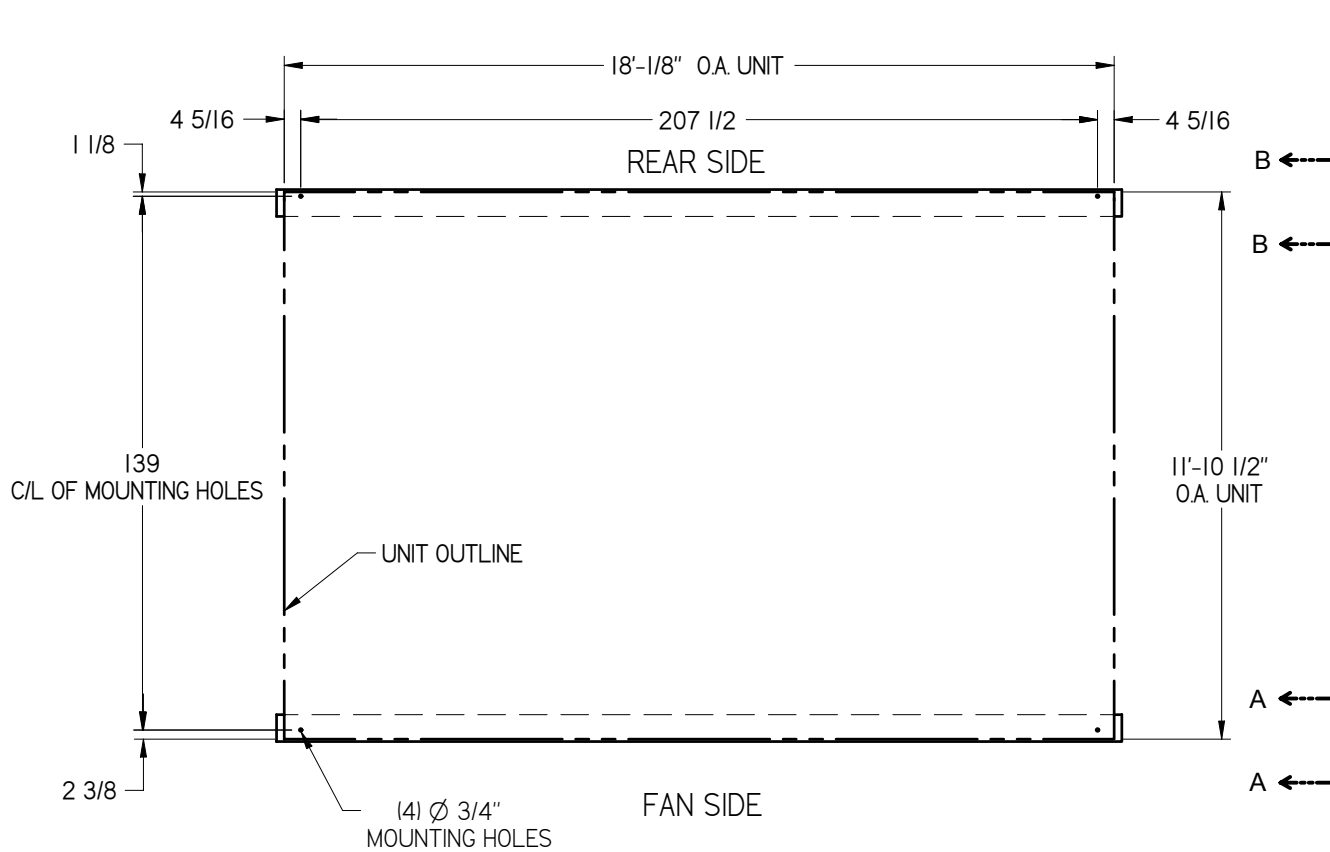
CONFIDENTIAL

This document is the property of Evapco, Inc. It should not be copied or disclosed without prior written authorization.

EVAPCO, INC.



| | | | | | | | | | |
|------|-----------------------------|---------|------------------|-------|------|--------|--------------|----------|--|
| UNIT | STEEL SUPPORT CONFIGURATION | MODEL # | 12x18 PROP UNITS | SCALE | 1:50 | DWG. # | CPI218ERD-SL | SERIAL # | |
|------|-----------------------------|---------|------------------|-------|------|--------|--------------|----------|--|



NOTES:

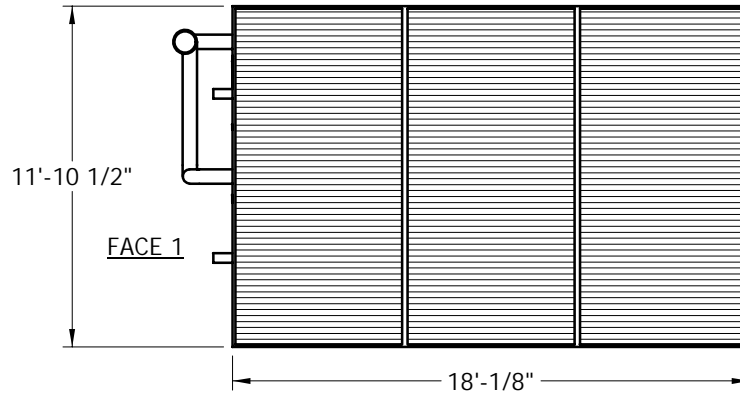
1. BEAMS SHOULD BE SIZED IN ACCORDANCE WITH ACCEPTED STRUCTURAL PRACTICES. MAXIMUM DEFLECTION OF BEAM UNDER UNIT TO BE 1/360 OF UNIT LENGTH NOT TO EXCEED 1/2".
2. DEFLECTION MAY BE CALCULATED BY USING 55% OF THE OPERATING WEIGHT AS A UNIFORM LOAD ON EACH BEAM. SEE CERTIFIED PRINT FOR OPERATING WEIGHT.
3. SUPPORT BEAMS AND ANCHOR HARDWARE ARE TO BE FURNISHED BY OTHERS. ANCHOR HARDWARE TO BE 5/8".
4. BEAMS MUST BE LOCATED UNDER THE FULL LENGTH OF THE PAN SECTION.
5. SUPPORTING BEAM SURFACE MUST BE LEVEL. DO NOT LEVEL THE UNIT BY PLACING SHIMS BETWEEN THE UNIT MOUNTING FLANGE AND THE SUPPORTING BEAM.
6. ANCHORING ARRANGEMENT SHOWN HAS A MAXIMUM WIND RATING OF 30 PSF ON CASED VERTICAL SURFACES.
7. THE FACTORY RECOMMENDED STEEL SUPPORT CONFIGURATION IS SHOWN. CONSULT THE FACTORY FOR ALTERNATE SUPPORT CONFIGURATIONS.
8. UNIT SHOULD BE POSITIONED ON STEEL SUCH THAT THE ANCHORING HARDWARE FULLY PENETRATES THE BEAM'S FLANGE AND CLEARS THE BEAM'S WEB.

EVAPCO, INC.

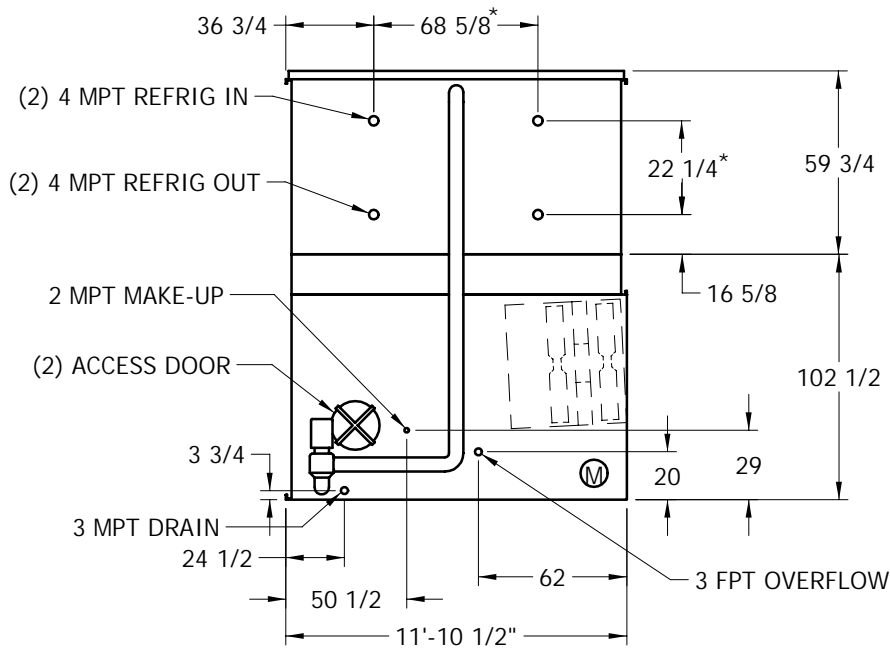


| | | | | | | | | | | | | | |
|------|-----------------------|---------|--|-------|-----|--------|-----------------|------|--|------|--|----------|--|
| UNIT | EVAPORATIVE CONDENSER | MODEL # | | SCALE | NTS | DWG. # | CP121806-ERD-ST | REV. | | DATE | | SERIAL # | |
|------|-----------------------|---------|--|-------|-----|--------|-----------------|------|--|------|--|----------|--|

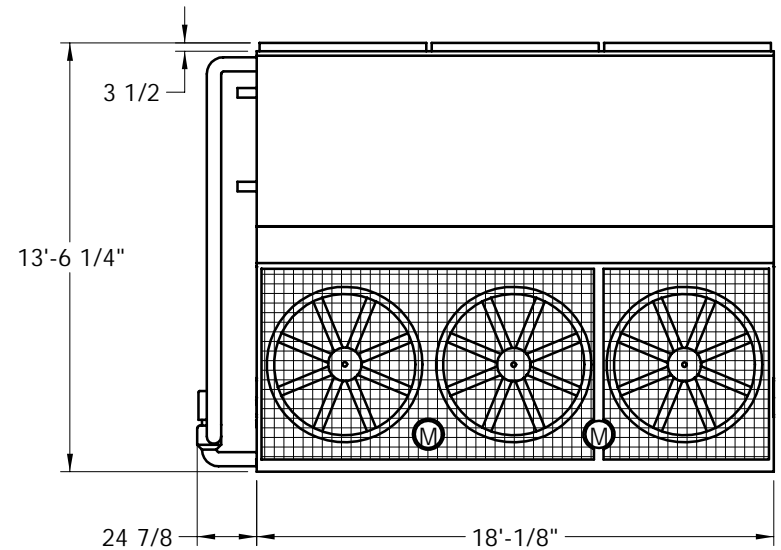
- NOTES:
1. (M) - FAN MOTOR LOCATION
 2. HEAVIEST SECTION IS UPPER SECTION
 3. MPT DENOTES MALE PIPE THREAD
FPT DENOTES FEMALE PIPE THREAD
BFW DENOTES BEVELED FOR WELDING
 4. + UNIT WEIGHT DOES NOT INCLUDE ACCESSORIES (SEE SEPARATE DRAWINGS FOR ACCESSORIES)
 5. 3/4" DIA. MOUNTING HOLES. REFER TO RECOMMENDED STEEL SUPPORT DRAWING
 6. MAKE-UP WATER PRESSURE-20 psi MIN, 50 psi MAX
 7. * - APPROXIMATE DIMENSIONS DO NOT USE FOR PRE-FABRICATION OF CONNECTING PIPING.



FACE 2
PLAN VIEW



FACE 1



FACE 2

| | | | | | | | | | | |
|-----------------|-------|--------|------------------|-------|------|-------------------------|-------|------|--------------------------|---|
| SHIPPING WEIGHT | 22700 | lbs. + | OPERATING WEIGHT | 31520 | lbs. | HEAVIEST SECTION WEIGHT | 15180 | lbs. | NO. OF SHIPPING SECTIONS | 2 |
|-----------------|-------|--------|------------------|-------|------|-------------------------|-------|------|--------------------------|---|



Engineering Dimensions & Data *Axial Fan Models PMCB 435 to 1770*

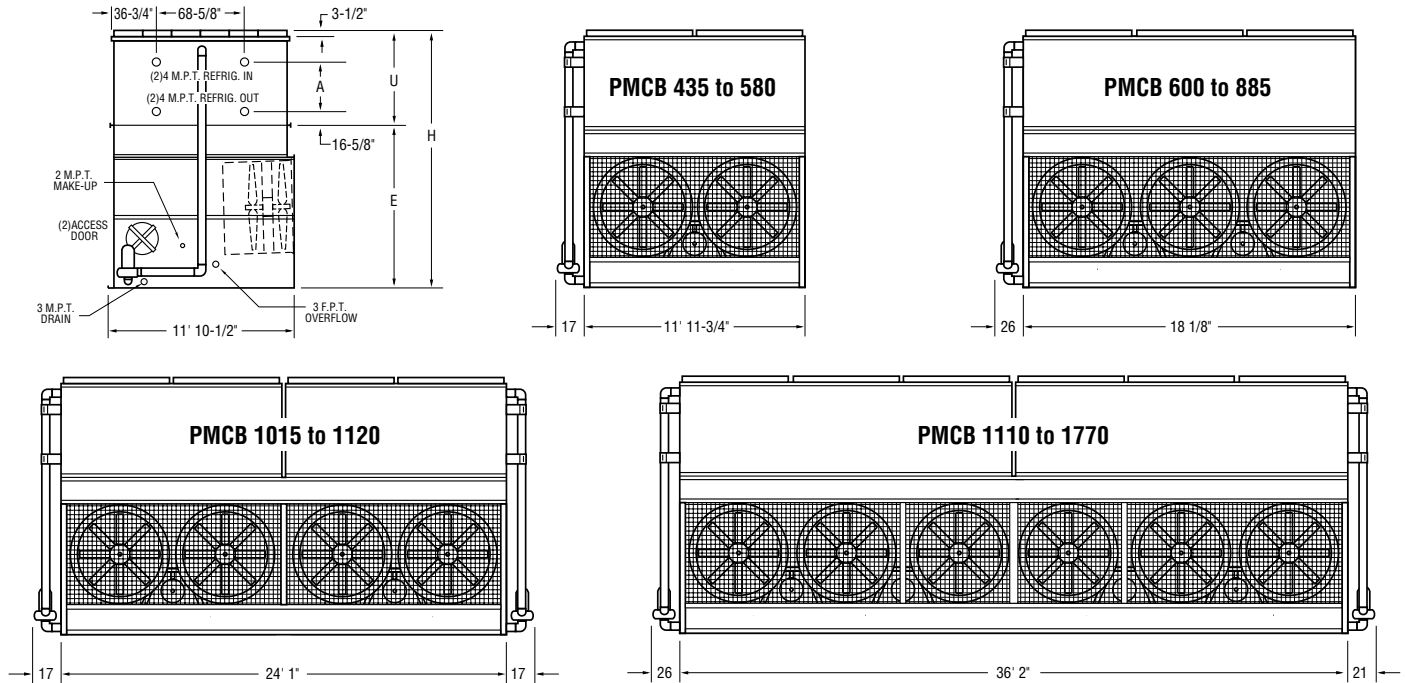


Table 19 Engineering Data

| PMCB Model No.* | R-717 Tons* | Fans | | Weights | | | Refrigerant Charge lbs.*** | Coil Volume ft ³ | Spray Pump | | Remote Pump | | Dimensions | | | | |
|-----------------|-------------|-------------------|---------|----------|-----------|-------------------|----------------------------|-----------------------------|------------|-------|-----------------|------------|------------------|-------------|------------|-----------|---------|
| | | HP | CFM | Shipping | Operating | Heaviest Section† | | | HP | GPM | Gallons Req'd** | Conn. Size | Operating Weight | Height H | Upper U | Lower E | Coil A |
| 435 | 309 | 15 | 74,100 | 17,160 | 23,270 | 12,310 | 395 | 54 | 5 | 800 | 500 | 10" | 20,270 | 14' 2-3/4" | 5' 8-1/4" | 8' 6-1/2" | 30-3/4" |
| 475 | 337 | 15 | 73,900 | 19,600 | 25,900 | 14,740 | 490 | 67 | 5 | 800 | 500 | 10" | 22,900 | 14' 11-1/4" | 6' 4-3/4" | 8' 6-1/2" | 39-1/4" |
| 495 | 351 | 25 | 87,200 | 17,420 | 23,530 | 12,310 | 395 | 54 | 5 | 800 | 500 | 10" | 20,530 | 14' 2-3/4" | 5' 8-1/4" | 8' 6-1/2" | 30-3/4" |
| 510 | 362 | 30 | 89,900 | 17,580 | 23,690 | 12,310 | 395 | 54 | 5 | 800 | 500 | 10" | 20,690 | 14' 2-3/4" | 5' 8-1/4" | 8' 6-1/2" | 30-3/4" |
| 535 | 379 | 25 | 85,000 | 19,860 | 26,160 | 14,740 | 490 | 67 | 5 | 800 | 500 | 10" | 23,160 | 14' 11-1/4" | 6' 4-3/4" | 8' 6-1/2" | 39-1/4" |
| 540 | 383 | 20 | 79,400 | 22,070 | 28,530 | 17,180 | 580 | 79 | 5 | 800 | 500 | 10" | 25,530 | 15' 7-3/4" | 7' 1-1/4" | 8' 6-1/2" | 47-3/4" |
| 560 | 397 | 25 | 84,000 | 22,210 | 28,670 | 17,180 | 580 | 79 | 5 | 800 | 500 | 10" | 25,670 | 15' 7-3/4" | 7' 1-1/4" | 8' 6-1/2" | 47-3/4" |
| 580 | 411 | 30 | 86,900 | 22,370 | 28,830 | 17,180 | 580 | 79 | 5 | 800 | 500 | 10" | 25,830 | 15' 7-3/4" | 7' 1-1/4" | 8' 6-1/2" | 47-3/4" |
| 600 | 426 | 20 & 10 | 129,000 | 21,750 | 30,230 | 14,230 | 445 | 61 | 7-1/2 | 1,200 | 730 | 12" | 25,730 | 13' 6-1/4" | 4' 11-3/4" | 8' 6-1/2" | 22-1/4" |
| 660 | 468 | 15 & 7-1/2 | 118,000 | 25,280 | 34,150 | 17,650 | 580 | 80 | 7-1/2 | 1,200 | 730 | 12" | 29,650 | 14' 2-3/4" | 5' 8-1/4" | 8' 6-1/2" | 30-3/4" |
| 705 | 500 | 20 & 10 | 125,500 | 25,440 | 34,310 | 17,650 | 580 | 80 | 7-1/2 | 1,200 | 730 | 12" | 29,810 | 14' 2-3/4" | 5' 8-1/4" | 8' 6-1/2" | 30-3/4" |
| 770 | 546 | 20 & 10 | 121,900 | 29,120 | 38,360 | 21,150 | 730 | 99 | 7-1/2 | 1,200 | 730 | 12" | 33,860 | 14' 11-1/4" | 6' 4-3/4" | 8' 6-1/2" | 39-1/4" |
| 805 | 571 | 20 & 10 | 120,800 | 32,440 | 42,070 | 24,650 | 870 | 119 | 7-1/2 | 1,200 | 730 | 12" | 37,570 | 15' 7-3/4" | 7' 1-1/4" | 8' 6-1/2" | 47-3/4" |
| 815 | 578 | 25 & 15 | 128,800 | 29,660 | 38,900 | 21,150 | 730 | 99 | 7-1/2 | 1,200 | 730 | 12" | 34,400 | 14' 11-1/4" | 6' 4-3/4" | 8' 6-1/2" | 39-1/4" |
| 855 | 606 | 30 & 15 | 135,000 | 29,820 | 39,060 | 21,150 | 730 | 99 | 7-1/2 | 1,200 | 730 | 12" | 34,560 | 14' 11-1/4" | 6' 4-3/4" | 8' 6-1/2" | 39-1/4" |
| 885 | 628 | 30 & 15 | 132,800 | 33,520 | 43,150 | 24,650 | 870 | 119 | 7-1/2 | 1,200 | 730 | 12" | 38,650 | 15' 7-3/4" | 7' 1-1/4" | 8' 6-1/2" | 47-3/4" |
| 1015 | 720 | (2)20 | 160,000 | 38,860 | 51,730 | 13,660 | 975 | 133 | (2)5 | 1,600 | 1,000 | 14" | 45,730 | 14' 11-1/4" | 6' 4-3/4" | 8' 6-1/2" | 39-1/4" |
| 1080 | 766 | (2)20 | 158,800 | 43,560 | 56,770 | 15,890 | 1,165 | 159 | (2)5 | 1,600 | 1,000 | 14" | 50,770 | 15' 7-3/4" | 7' 1-1/4" | 8' 6-1/2" | 47-3/4" |
| 1120 | 794 | (2)25 | 168,000 | 43,840 | 57,050 | 15,890 | 1,165 | 159 | (2)5 | 1,600 | 1,000 | 14" | 51,050 | 15' 7-3/4" | 7' 1-1/4" | 8' 6-1/2" | 47-3/4" |
| 1110 | 787 | (2)15 & (2) 7-1/2 | 238,000 | 42,640 | 59,880 | 13,270 | 890 | 121 | (2)7-1/2 | 2,400 | 1,460 | 16" | 50,880 | 13' 6-1/4" | 4' 11-3/4" | 8' 6-1/2" | 22-1/4" |
| 1320 | 936 | (2)15 & (2) 7-1/2 | 236,000 | 50,010 | 68,020 | 16,380 | 1,170 | 160 | (2)7-1/2 | 2,400 | 1,460 | 16" | 59,020 | 14' 2-3/4" | 5' 8-1/4" | 8' 6-1/2" | 30-3/4" |
| 1410 | 1000 | (2)20 & (2)10 | 251,000 | 50,330 | 68,340 | 16,380 | 1,170 | 160 | (2)7-1/2 | 2,400 | 1,460 | 16" | 59,340 | 14' 2-3/4" | 5' 8-1/4" | 8' 6-1/2" | 30-3/4" |
| 1485 | 1053 | (2)25 & (2)15 | 264,000 | 51,410 | 69,420 | 16,380 | 1,170 | 160 | (2)7-1/2 | 2,400 | 1,460 | 16" | 60,420 | 14' 2-3/4" | 5' 8-1/4" | 8' 6-1/2" | 30-3/4" |
| 1540 | 1092 | (2)30 & (2)15 | 274,000 | 51,730 | 69,740 | 16,380 | 1,170 | 160 | (2)7-1/2 | 2,400 | 1,460 | 16" | 60,740 | 14' 2-3/4" | 5' 8-1/4" | 8' 6-1/2" | 30-3/4" |
| 1630 | 1156 | (2)25 & (2)15 | 257,600 | 58,770 | 77,520 | 19,560 | 1,455 | 199 | (2)7-1/2 | 2,400 | 1,460 | 16" | 68,520 | 14' 11-1/4" | 6' 4-3/4" | 8' 6-1/2" | 39-1/4" |
| 1710 | 1213 | (2)30 & (2)15 | 270,000 | 59,090 | 77,840 | 19,560 | 1,455 | 199 | (2)7-1/2 | 2,400 | 1,460 | 16" | 68,840 | 14' 11-1/4" | 6' 4-3/4" | 8' 6-1/2" | 39-1/4" |
| 1770 | 1255 | (2)30 & (2)15 | 265,600 | 66,500 | 86,030 | 22,750 | 1,740 | 237 | (2)7-1/2 | 2,400 | 1,460 | 16" | 77,030 | 15' 7-3/4" | 7' 1-1/4" | 8' 6-1/2" | 47-3/4" |

* Tons at standard conditions: HCFC-22 and HFC-134a. 105°F condensing, 40°F suction and 78°F W.B.; ammonia 96.3°F condensing, 20°F suction and 78°F W.B.

** Gallons shown is water in suspension in unit and piping. Allow for additional water in bottom of remote sump to cover pump suction and strainer during operation. (12" would normally be sufficient.)

† Heaviest section is the coil section.

*** Refrigerant charge is shown for R-717. Multiply by 1.93 for R-22 and 1.98 for R-134a.

Dimensions are subject to change. Do not use for pre-fabrication.