



DOE / NRCAN Model Information Inside

MK/MV Series

UNIT COOLERS

Technical Bulletin: MKMV_014_091222



Products that provide lasting solutions.

MK/MV Series Unit Coolers

DOE Evaporator Compliant Matrix

	MK / MV	
	DUAL SPEED MOTORS	VARIABLE SPEED MOTORS
DEFROST TYPE		
Air		
Glide Refrigerants*	X	X
Non-Glide Refrigerants**	X (Except MK*18A-133, MK*28A-256, MK*16A-118, MK*26A-236 and 290, MK*14A-94 and 121, MK*24A-188 and 242)	X
CO₂		
Coolers	X	X
Freezers	-	-
Electric		
Glide Refrigerants*		
Coolers	X	X (Except ALL MV Models)
Freezers	X (Except ALL MV Models)	X (Except All MV Models)
Non-Glide Refrigerants**		
Coolers	-	X (Except All MV Models)
Freezers	-	X (Except All MV Models)
CO₂		
Coolers	X	X
Freezers	X	X
Hot Gas		
Glide Refrigerants*		
Coolers	X (Except ALL MV Models)	X (Except ALL MV Models)
Freezers	X (Except ALL MV Models)	X (Except ALL MV Models)
Non-Glide Refrigerants**		
Coolers	-	X (Except ALL MV Models)
Freezers	-	X (Except ALL MV Models)
VOLTAGES / PHASE (All 60 HZ)		
115/1	X	X
208-230/1	X	X
208-230/3	X ²	X ²
460/1	-	-
460/3	-	-
575/3	-	-
FAN CONTROLS		
RT-3*** - T-Stat	-	-
RT-4*** - T-Stat with 0 to 10 V Power Supply	X ¹	-
R24V - Relay if Remote Board	-	-
R24P**** - Relay if Remote Board	X ¹	-
VC4P - JC450 plus Amplifier	-	-
AMP1***** - Amplifier for Remote Controller	-	-
VC4 - JC450 Loose	-	X ¹
VC4A, VC4B - JC450 Mounted with Transformer	-	X ¹
KE2 Therm	-	X ¹
Expansion Valves		
TEV	-	X ³
Sporlan Stepper Valve	-	X ³
Control Boards		
KE2 OEM Board	-	X
Sensors		
Air Defrost - 3 Temp Sensors (1 Room, 2 Coils)	-	X ⁴
Positive Defrost - 3 Temp Sensors (1 Room, 2 Coils)	-	X ⁴
Options		
Remote Display (Stays within Six Feet of Board)	-	X ⁵
Edge Manager (for Remote Wifi Access and Data Logging)	-	X ⁵
8 or 16 Port Switch (Inter-Connecting Multiple Boards)	-	X ⁵

X - Available

* Glide Refrigerants (R-407A, R-407F, R-448A, R-449A, refer to I/O Manual for Others). Models in tables with "*" are not tied to this note.

** Non-Glide Refrigerants (R-404A, R-507A, refer to I/O Manual for Others)

*** Room T-Stat Needs to be Separate from T-Stat Controlling Motors

**** Includes 10 V Power Supply for Driving Fans to Low Speed

***** Amplifier Works with a Maximum of Six Motors

¹ Only One Control May Be Selected

² Only on Multiple Fan Units Wired for Three Phase Operation

³ Choose Only One Type of Expansion Valve

⁴ Choose Only One Based Upon Either Air or Positive Defrost Requirements

⁵ More Than One Option Can Be Chosen

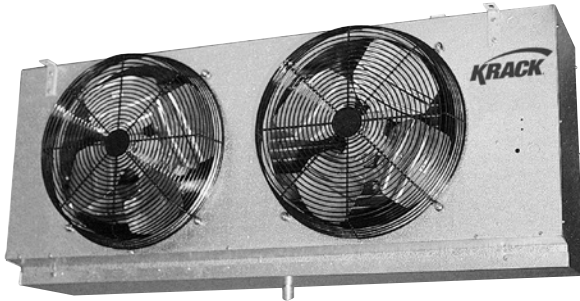


DOE / NRCAN -

The MK/MV series of evaporators are designed for long life with testing and options to meet efficiency required by DOE and NRCAN regulations.

MK/MV Series Unit Coolers

Medium Profile Unit Coolers for Medium Size Coolers and Freezers



MK Medium Profile Unit Coolers are designed with a wide capacity range and air movement for WICF 12' to 20' high required to meet DOE / NRCan regulation.

MV Models are available for non-regulated applications requiring a longer air throw.

Standard Features

- Ruggedly constructed cabinets are installed level and flush to the ceiling or with hanger rods.
- Wide capacity range with coils with 4, 6, or 8 fins per inch.
- Swept Wing Fan Blade Design for quieter operation standard on air defrost.
- Aluminum cabinet and drain pan.
- Coated, corrosion-proof wire fan guards.
- EC fan motor is a nominal 1/3 horsepower, dual voltage 115/1/60 or 208-230/1/60, and will accept a 0-10 V signal to vary the fan speed.
- Plug in motor leads for quick positive connection to wiring harness.
- Factory-wired fans and defrost controls to convenient terminal strips for field connections.
- Coil constructed of heavy-wall copper tube and rippled full collar aluminum fins.
- Optimized circuiting for HFC and HFO refrigerants.
- Sealed and pressurized from the factory.

Optional Features and Accessories

- Installed thermostat with 10 V signal for simple Dual Speed control of EC motors.
- Electric defrost models with efficient coil face mounted heaters, drain pan heaters and adjustable defrost termination.
- Hot gas defrost models available with gas or electric pan heat.
- Coils circuited for CO₂ or fluids operating as a secondary coolant.
- Installed mechanical or electronic expansion valves.
- Installed liquid line solenoid valve.
- Long throw adapters to increase air throw from 30' to 60' on MK and 45' to 75' on MV.
- White or black painted housing and drain pans to match cooler.
- Stainless-steel housing and drain pans in place of aluminum.
- Insulated drain pan to prevent drips from condensation.
- Copper fins or coil coating from Electrofin or Heresite.


Ordering Information

(Specify when ordering all models)

- Complete model number including refrigerant
- Room temperature
- Evaporating temperature
- Liquid refrigerant temperature
- Optional features
- Optional accessories

MK/MV Series Unit Coolers

Model Key

	MK	D	2	6	E	-	152	T	V	A	A							
Unit Type	MK - Medium Profile MV - High Velocity										Heater Voltage							
 DOE Application	D - DOE and NRCan A - Non-Regulated										A - 208-230/1/60 B - 115/1/60 **** K - 208-230/3/60 M - 460/3/60							
Number of Fans											Motor Voltage							
Fin Spacing											A - 208-230/1/60 B - 115/1/60 K - 208-230/3/60 * H - 460/1/60 ** M - 460/3/60 * / **							
Type of Defrost											Motor Type***							
A - Air Defrost E - Electric Defrost w/Electric Pan Heat G - 3 Pipe Hot Gas w/Gas Pan Heat H - 3 Pipe Hot Gas w/Electric Pan Heat K - 2 Pipe Kool Gas w/Gas Pan Heat P - 2 Pipe Kool Gas w/Electric Pan Heat R - Heat Reclaim											V - Variable Speed EC D - Variable Speed EC, Dual Speed Control B - PSC Motors *****							
											Refrigerant							
											<table border="1"> <tr> <td>N - Stock Unit *****</td> <td>G - Stock Unit *****</td> </tr> <tr> <td>S - R-404A</td> <td>Q - R-407A T - R-448A</td> </tr> <tr> <td>P - R-507A</td> <td>F - R-407F R - R-449A</td> </tr> </table>		N - Stock Unit *****	G - Stock Unit *****	S - R-404A	Q - R-407A T - R-448A	P - R-507A	F - R-407F R - R-449A
N - Stock Unit *****	G - Stock Unit *****																	
S - R-404A	Q - R-407A T - R-448A																	
P - R-507A	F - R-407F R - R-449A																	
											B - Glycol / Brine C - CO ₂							
											BTU/H in Hundreds (00)							



- * Single phase motors wired for 3 phase operation. Not available on single fan units.
- ** 460 V motors are Motor Type PSC only and not available for any evaporator solution in the USA or Canada.
- *** EC motor required for DOE with Variable Speed or Dual Speed control option are A, B or K motor voltage only.
- **** Available on pan heaters for "H" and "P" defrost options only.
- ***** PSC motors are not allowed in USA or Canada for any evaporator solution.
- ***** 'N' Stock Units are for non-glide or glide refrigerants (consult I/O manual for complete refrigerant listing).
- ***** 'G' Stock Units are for glide refrigerants only (consult I/O manual for complete refrigerant listing)



DOE / NRCan -

Indicates evaporator models that have an AWEF rating published which meets the efficiency requirements of the US Department of Energy and Natural Resources Canada regulations. These specific regulations are for evaporators manufactured after July 10th, 2020, applied in refrigerated spaces 3000 square feet or less, and held at 55° F room temperature or colder. Not covered in this regulation are unit coolers using secondary refrigerant like glycol.

Hussmann / Krack will ship DOE / NRCan compliant evaporator coil units for regulated / covered applications to meet and adhere with government labeling requirements. **Please note that compliance is at the time of manufacture and responsibility of the OEM.**

The DOE / NRCan compliant evaporators will utilize Dual Speed or Variable Speed EC motors. Controls for these options may be factory installed or field supplied.

Both the Dual Speed and Variable Speed EC motors have default prevention programming. In the event of a control loss input (OV), the motors will run at full speed.

MK/MV Series Unit Coolers

Air Defrost Medium Profile

AIR DEFROST

MODEL	Cooler AWEF by Refrigerant and Motor				CAPACITY (BTU/H) @ 10° F TD +25° F EVAP	AIR FLOW (CFM)	REFRIGERATION CONNECTIONS		REF CHARGE (LBS)	DIMENSIONS (IN)			SHIP WGT (LBS)
	[G] Stock Unit**, [Q] R-407A, [F] R-407F, [T] R-448A, [R] R-449A		[N] Stock Unit***, [S] R-404A, [P] R-507A				LIQ	SUCT		L	W	H	
	{D}ual Speed	{V}ariable Speed	{D}ual Speed	{V}ariable Speed									
MK*18A-133[]{ }	9.00	9.00	NA	9.00	13,300	2,710	1/2"	7/8"	3	38.00	19.00	26.75	125
MK*18A-160[]{ }	9.00	9.00	9.00	9.00	16,000	2,625	1/2"	1-1/8"	4	38.00	19.00	26.75	130
MK*28A-266[]{ }	9.00	9.00	NA	9.00	26,600	5,420	1/2"	1-5/8"	5	63.00	19.00	26.75	225
MK*28A-320[]{ }	9.00	9.00	9.00	9.00	32,000	5,250	5/8"	1-5/8"	6	63.00	19.00	26.75	240
MK*38A-393[]{ }	9.00	9.00	9.00	9.00	39,300	8,130	5/8"	1-5/8"	7	92.00	19.00	26.75	330
MK*38A-480[]{ }	9.00	9.00	9.00	9.00	48,000	7,875	5/8"	1-5/8"	8	92.00	19.00	26.75	350
MK*48A-640[]{ }	9.00	9.00	9.00	9.00	64,000	10,500	5/8"	1-5/8"	11	119.00	19.00	26.75	470
MK*16A-118[]{ }	9.00	9.00	NA	9.00	11,800	2,815	1/2"	7/8"	3	38.00	19.00	26.75	125
MK*16A-145[]{ }	9.00	9.00	9.00	9.00	14,500	2,725	1/2"	1-1/8"	4	38.00	19.00	26.75	130
MK*26A-236[]{ }	9.00	9.00	NA	9.00	23,600	5,630	1/2"	1-1/8"	5	63.00	19.00	26.75	225
MK*26A-290[]{ }	9.00	9.00	NA	9.00	29,000	5,450	1/2"	1-5/8"	6	63.00	19.00	26.75	240
MK*36A-354[]{ }	9.00	9.00	9.00	9.00	35,400	8,445	5/8"	1-5/8"	7	92.00	19.00	26.75	330
MK*36A-435[]{ }	9.00	9.00	9.00	9.00	43,500	8,175	5/8"	1-5/8"	8	92.00	19.00	26.75	350
MK*46A-580[]{ }	9.00	9.00	9.00	9.00	58,000	10,900	5/8"	1-5/8"	11	119.00	19.00	26.75	470
MK*14A-094[]{ }	9.00	9.00	NA	9.00	9,400	3,060	1/2"	7/8"	3	38.00	19.00	26.75	125
MK*14A-121[]{ }	9.00	9.00	NA	9.00	12,100	2,960	1/2"	7/8"	4	38.00	19.00	26.75	130
MK*24A-188[]{ }	9.00	9.00	NA	9.00	18,800	6,120	1/2"	1-1/8"	5	63.00	19.00	26.75	225
MK*24A-242[]{ }	9.00	9.00	NA	9.00	24,200	5,920	1/2"	1-1/8"	6	63.00	19.00	26.75	240
MK*34A-363[]{ }	9.00	9.00	9.00	9.00	36,300	8,880	5/8"	1-5/8"	8	92.00	19.00	26.75	350
MK*44A-484[]{ }	9.00	9.00	9.00	9.00	48,400	11,840	5/8"	1-5/8"	11	119.00	19.00	26.75	470

* For motor code and refrigerant, use "D" when AWEF rating is shown and "A" for non-regulated applications or where AWEF is NA.
 [] Location for the refrigerant letter code.
 { } Variable Speed EC motor is standard, include "V" for Variable Speed EC control
 or "D" when Dual Speed control from 10 V signal will be applied.

** G Stock Units are for glide refrigerants only (consult I/O manual for complete refrigerant listing).

*** N Stock Units are for non-glide or glide refrigerants (consult I/O manual for complete refrigerant listing).

EXAMPLE FULL MODEL:

MKD16A-118TVA is DOE / NRCan with R-448A, Variable Speed EC motor and includes the additional letter A for 208 V single phase fan power.

Key Point -

Krack evaporator capacities shown are with **midpoint** evaporating temperature to offer a consistent capacity for selection when using different refrigerants and match other Krack and Hussmann equipment.

MK/MV Series Unit Coolers

Electric Defrost Medium Profile

ELECTRIC DEFROST

MK MODEL	AWEF by Refrigerant, Motor, and Application								CAPACITY (BTU/H) @ 10° F TD -20° F EVAP	CAPACITY (BTU/H) @ 10° F TD +20° F EVAP	AIR FLOW (CFM)	REFRIGERATION CONNECTIONS		REF CHARGE (LBS)	DIMENSIONS (IN)			SHIP WGT (LBS)
	[G] Stock Unit**, [Q] R-407A, [F] R-407F, [T] R-448A, [R] R-449A				[N] Stock Unit***, [S] R-404A, [P] R-507A							LIQ	SUCT		L	W	H	
	{D}ual Speed		{V}ariable Speed		{D}ual Speed		{V}ariable Speed											
	Freezer	Cooler	Freezer	Cooler	Freezer	Cooler	Freezer	Cooler										
MK*16(-)-103[] { }	4.15	9.00	4.15	9.00	NA	NA	4.15	9.00	10,300	11,800	2,815	1/2"	1-1/8"	3	38.00	19.00	26.75	125
MK*16(-)-127[] { }	4.15	9.00	4.15	9.00	NA	NA	4.15	9.00	12,700	14,500	2,725	1/2"	1-1/8"	4	38.00	19.00	26.75	130
MK*26(-)-206[] { }	4.15	9.00	4.15	9.00	NA	NA	4.15	9.00	20,600	23,600	5,630	5/8"	1-5/8"	5	63.00	19.00	26.75	225
MK*26(-)-254[] { }	4.15	9.00	4.15	9.00	NA	NA	4.15	9.00	25,400	29,000	5,450	5/8"	1-5/8"	6	63.00	19.00	26.75	240
MK*36(-)-309[] { }	4.15	9.00	4.15	9.00	NA	NA	4.15	9.00	30,900	35,400	8,445	7/8"	1-5/8"	7	92.00	19.00	26.75	330
MK*36(-)-381[] { }	4.15	9.00	4.15	9.00	NA	NA	4.15	9.00	38,100	43,500	8,175	7/8"	2-1/8"	8	92.00	19.00	26.75	350
MK*46(-)-508[] { }	4.15	9.00	4.15	9.00	NA	NA	4.15	9.00	50,800	58,000	10,900	7/8"	2-1/8"	11	119.00	19.00	26.75	470
MK*14(-)-082[] { }	4.15	9.00	4.15	9.00	NA	NA	4.15	9.00	8,200	9,400	3,060	1/2"	1-1/8"	3	38.00	19.00	26.75	125
MK*14(-)-105[] { }	4.15	9.00	4.15	9.00	NA	NA	4.15	9.00	10,500	12,100	2,960	1/2"	1-1/8"	4	38.00	19.00	26.75	130
MK*24(-)-164[] { }	4.15	9.00	4.15	9.00	NA	NA	4.15	9.00	16,400	18,800	6,120	5/8"	1-5/8"	5	63.00	19.00	26.75	225
MK*24(-)-210[] { }	4.15	9.00	4.15	9.00	NA	NA	4.15	9.00	21,000	24,200	5,920	5/8"	1-5/8"	6	63.00	19.00	26.75	240
MK*34(-)-246[] { }	4.15	9.00	4.15	9.00	NA	NA	4.15	9.00	24,600	28,200	9,180	7/8"	1-5/8"	7	92.00	19.00	26.75	330
MK*34(-)-315[] { }	4.15	9.00	4.15	9.00	NA	NA	4.15	9.00	31,500	36,300	8,880	7/8"	2-1/8"	8	92.00	19.00	26.75	350
MK*44(-)-420[] { }	4.15	9.00	4.15	9.00	NA	NA	4.15	9.00	42,000	48,400	11,840	7/8"	2-1/8"	11	119.00	19.00	26.75	470

* For motor code and refrigerant, use "D" when AWEF rating is shown and "A" for non-regulated applications or where AWEF is NA. [] Location for the refrigerant letter code. { } Variable Speed EC motor is standard, include "V" for Variable Speed EC control or "D" when Dual Speed control from 10 V signal will be applied.

** G Stock Units are for glide refrigerants only (consult I/O manual for complete refrigerant listing).

*** N Stock Units are for non-glide or glide refrigerants (consult I/O manual for complete refrigerant listing).

EXAMPLE FULL MODEL:

MKD26E-254QVAA is for DOE / NRCan application with R-407A, Variable Speed EC motor and includes the additional letters AA for 208 V single phase fan and defrost power.

MV MODEL*	Freezer AWEF by Refrigerant and Motor				CAPACITY (BTU/H) @ 10° F TD -20° F EVAP	CAPACITY (BTU/H) @ 10° F TD +20° F EVAP	AIR FLOW (CFM)	REFRIGERATION CONNECTIONS		REF CHARGE (LBS)	DIMENSIONS (IN)			SHIP WGT (LBS)
	[G] Stock Unit**, [Q] R-407A, [F] R-407F, [T] R-448A, [R] R-449A		[N] Stock Unit***, [S] R-404A, [P] R-507A					LIQ	SUCT		L	W	H	
	{D}ual Speed		{V}ariable Speed											
	Freezer	Cooler	Freezer	Cooler										
MVA16E-126[] { }	NA	NA	NA	NA	12,600	NA	3,955	1/2"	1-5/8"	3	38.00	19.00	26.75	125
MVA16E-155[] { }	NA	NA	NA	NA	15,500	NA	3,800	1/2"	1-5/8"	3	38.00	19.00	26.75	130
MVA26E-252[] { }	NA	NA	NA	NA	25,200	NA	7,910	5/8"	1-5/8"	4	63.00	19.00	26.75	225
MVA26E-310[] { }	NA	NA	NA	NA	31,000	NA	7,600	5/8"	1-5/8"	6	63.00	19.00	26.75	240
MVA36E-378[] { }	NA	NA	NA	NA	37,800	NA	11,865	7/8"	1-5/8"	6	92.00	19.00	26.75	330
MVA36E-465[] { }	NA	NA	NA	NA	46,500	NA	11,400	7/8"	2-1/8"	8	92.00	19.00	26.75	350
MVA46E-620[] { }	NA	NA	NA	NA	62,000	NA	15,200	7/8"	2-1/8"	10	119.00	19.00	26.75	470
MVA14E-100[] { }	NA	NA	NA	NA	10,000	NA	4,300	1/2"	1-5/8"	3	38.00	19.00	26.75	125
MVA14E-128[] { }	NA	NA	NA	NA	12,800	NA	4,130	1/2"	1-5/8"	3	38.00	19.00	26.75	130
MVA24E-200[] { }	NA	NA	NA	NA	20,000	NA	8,600	5/8"	1-5/8"	4	63.00	19.00	26.75	225
MVA24E-256[] { }	NA	NA	NA	NA	25,600	NA	8,260	5/8"	1-5/8"	6	63.00	19.00	26.75	240
MVA34E-300[] { }	NA	NA	NA	NA	30,000	NA	12,900	7/8"	1-5/8"	6	92.00	19.00	26.75	330
MVA34E-384[] { }	NA	NA	NA	NA	38,400	NA	12,390	7/8"	2-1/8"	8	92.00	19.00	26.75	350
MVA44E-512[] { }	NA	NA	NA	NA	51,200	NA	16,520	7/8"	2-1/8"	10	119.00	19.00	26.75	470

* MV models are available for use in non-regulated applications. Fan speed control options can be applied with the EC motor. [] Location for the refrigerant letter code. { } Variable Speed EC motor is standard, include "V" for Variable Speed EC control or "D" when Dual Speed control from 10 V signal will be applied.

** G Stock Units are for glide refrigerants only (consult I/O manual for complete refrigerant listing).

*** N Stock Units are for non-glide or glide refrigerants (consult I/O manual for complete refrigerant listing).

EXAMPLE FULL MODEL:

MVA36E-465SVAA is for non-regulated application with R-404A, Variable Speed EC motor and includes the additional letters AA for 208 V single phase fan and defrost power.



Key Point -

Krack evaporator capacities shown are with **midpoint** evaporating temperature to offer a consistent capacity for selection when using different refrigerants and match other Krack and Hussmann equipment.

MK/MV Series Unit Coolers

Hot Gas Defrost Medium Profile

GAS DEFROST

MODEL	AWEF by Refrigerant, Motor, and Application								CAPACITY (BTU/H) @ 10° F TD -20° F EVAP	CAPACITY (BTU/H) @ 10° F TD +20° F EVAP	AIR FLOW (CFM)	REFRIGERATION CONNECTIONS		REF CHARGE (LBS)	DIMENSIONS (IN)			SHIP WGT (LBS)
	[G] Stock Unit**, [Q] R-407A, [F] R-407F, [T] R-448A, [R] R-449A				[N] Stock Unit***, [S] R-404A, [P] R-507A							LIQ	SUCT		L	W	H	
	{D}ual Speed		{V}ariable Speed		{D}ual Speed		{V}ariable Speed											
	Freezer	Cooler	Freezer	Cooler	Freezer	Cooler	Freezer	Cooler										
MK*16(-)103[]{ }	4.15	9.00	4.15	9.00	NA	NA	4.15	9.00	10,300	11,800	2,815	1/2"	1-1/8"	3	38.00	19.00	26.75	125
MK*16(-)127[]{ }	4.15	9.00	4.15	9.00	NA	NA	4.15	9.00	12,700	14,500	2,725	1/2"	1-1/8"	4	38.00	19.00	26.75	130
MK*26(-)206[]{ }	4.15	9.00	4.15	9.00	NA	NA	4.15	9.00	20,600	23,600	5,630	5/8"	1-5/8"	5	63.00	19.00	26.75	225
MK*26(-)254[]{ }	4.15	9.00	4.15	9.00	NA	NA	4.15	9.00	25,400	29,000	5,450	5/8"	1-5/8"	6	63.00	19.00	26.75	240
MK*36(-)309[]{ }	4.15	9.00	4.15	9.00	NA	NA	4.15	9.00	30,900	35,400	8,445	7/8"	1-5/8"	7	92.00	19.00	26.75	330
MK*36(-)381[]{ }	4.15	9.00	4.15	9.00	NA	NA	4.15	9.00	38,100	43,500	8,175	7/8"	2-1/8"	8	92.00	19.00	26.75	350
MK*46(-)508[]{ }	4.15	9.00	4.15	9.00	NA	NA	4.15	9.00	50,800	58,000	10,900	7/8"	2-1/8"	11	119.00	19.00	26.75	470
MK*14(-)082[]{ }	4.15	9.00	4.15	9.00	NA	NA	4.15	9.00	8,200	9,400	3,060	1/2"	1-1/8"	3	38.00	19.00	26.75	125
MK*14(-)105[]{ }	4.15	9.00	4.15	9.00	NA	NA	4.15	9.00	10,500	12,100	2,960	1/2"	1-1/8"	4	38.00	19.00	26.75	130
MK*24(-)164[]{ }	4.15	9.00	4.15	9.00	NA	NA	4.15	9.00	16,400	18,800	6,120	5/8"	1-5/8"	5	63.00	19.00	26.75	225
MK*24(-)210[]{ }	4.15	9.00	4.15	9.00	NA	NA	4.15	9.00	21,000	24,200	5,920	5/8"	1-5/8"	6	63.00	19.00	26.75	240
MK*34(-)246[]{ }	4.15	9.00	4.15	9.00	NA	NA	4.15	9.00	24,600	28,200	9,180	7/8"	1-5/8"	7	92.00	19.00	26.75	330
MK*34(-)315[]{ }	4.15	9.00	4.15	9.00	NA	NA	4.15	9.00	31,500	36,300	8,880	7/8"	2-1/8"	8	92.00	19.00	26.75	350
MK*44(-)420[]{ }	4.15	9.00	4.15	9.00	NA	NA	4.15	9.00	42,000	48,400	11,840	7/8"	2-1/8"	11	119.00	19.00	26.75	470

* For motor code and refrigerant, use "D" when AWEF rating is shown and "A" for non-regulated applications or where AWEF is NA.

[] Gas defrost type K, H, G, or P. See definition to the right. [] Location for the refrigerant letter code.

{ } Variable Speed EC motor is standard, include "V" for Variable Speed EC control or "D" when Dual Speed control from 10 V signal will be applied.

** G Stock Units are for glide refrigerants only (consult I/O manual for complete refrigerant listing).

*** N Stock Units are for non-glide or glide refrigerants (consult I/O manual for complete refrigerant listing).

Available Gas Defrost Types

(H) - HGE 3 Pipe Hot Gas with Electric Pan Heat. No defrost termination or fan delay.

(G) - HGG 3 Pipe Hot Gas with Gas Pan Heat. No defrost termination or fan delay.

(P) - KGE 2 Pipe Kool Gas with Electric Pan Heat.

(K) - KGG 2 Pipe Kool Gas with Gas Pan Heat.

EXAMPLE FULL MODEL:

MKD36P-309QDAA is for DOE / NRCan application with R-407A, two speed EC motor and includes the additional letters AA for 208/1/60 fan power and pan heater.

 Key Point -

Krack evaporator capacities shown are with **midpoint** evaporating temperature to offer a consistent capacity for selection when using different refrigerants and match other Krack and Hussmann equipment.

MK/MV Series Unit Coolers

Air Defrost Medium Profile - CO₂ Refrigerant

AIR DEFROST - CO₂

MODEL	AWEF By Refrigerant, Motor and Application		CAPACITY (BTU/H) @ 10° F TD +25° F EVAP	AIR FLOW (CFM)	REFRIGERATION CONNECTIONS		REF CHARGE (LBS)	DIMENSIONS (IN)			SHIP WGT (LBS)
	C - CO ₂				LIQ	SUCT		L	W	H	
	{D}ual Speed Cooler	{V}ariable Speed Cooler									
MKD18A-133C{ }	9.00	9.00	13,300	2,710	1/2"	7/8"	2.4	38.00	19.00	26.75	125
MKD18A-160C{ }	9.00	9.00	16,000	2,625	1/2"	1-1/8"	3.2	38.00	19.00	26.75	130
MKD28A-266C{ }	9.00	9.00	26,600	5,420	1/2"	1-1/8"	4.0	63.00	19.00	26.75	225
MKD28A-320C{ }	9.00	9.00	32,000	5,250	5/8"	1-1/8"	4.8	63.00	19.00	26.75	240
MKD38A-393C{ }	9.00	9.00	39,300	8,130	5/8"	1-1/8"	5.6	92.00	19.00	26.75	330
MKD38A-480C{ }	9.00	9.00	48,000	7,875	5/8"	1-1/8"	6.4	92.00	19.00	26.75	350
MKD48A-640C{ }	9.00	9.00	64,000	10,500	5/8"	1-1/8"	8.8	119.00	19.00	26.75	470
MKD16A-118C{ }	9.00	9.00	11,800	2,815	1/2"	7/8"	2.4	38.00	19.00	26.75	125
MKD16A-145C{ }	9.00	9.00	14,500	2,725	1/2"	1-1/8"	3.2	38.00	19.00	26.75	130
MKD26A-236C{ }	9.00	9.00	23,600	5,630	1/2"	1-1/8"	4.0	63.00	19.00	26.75	225
MKD26A-290C{ }	9.00	9.00	29,000	5,450	1/2"	1-1/8"	4.8	63.00	19.00	26.75	240
MKD36A-354C{ }	9.00	9.00	35,400	8,445	5/8"	1-1/8"	5.6	92.00	19.00	26.75	330
MKD36A-435C{ }	9.00	9.00	43,500	8,175	5/8"	1-1/8"	6.4	92.00	19.00	26.75	350
MKD46A-580C{ }	9.00	9.00	58,000	10,900	5/8"	1-1/8"	8.8	119.00	19.00	26.75	470
MKD14A-094C{ }	9.00	9.00	9,400	3,060	1/2"	7/8"	2.4	38.00	19.00	26.75	125
MKD14A-121C{ }	9.00	9.00	12,100	2,960	1/2"	7/8"	3.2	38.00	19.00	26.75	130
MKD24A-188C{ }	9.00	9.00	18,800	6,120	1/2"	1-1/8"	4.0	63.00	19.00	26.75	225
MKD24A-242C{ }	9.00	9.00	24,200	5,920	1/2"	1-1/8"	4.8	63.00	19.00	26.75	240
MKD34A-363C{ }	9.00	9.00	36,300	8,880	5/8"	1-1/8"	6.4	92.00	19.00	26.75	350
MKD44A-484C{ }	9.00	9.00	48,400	11,840	5/8"	1-1/8"	8.8	119.00	19.00	26.75	470

{ } Variable Speed EC motor is standard, include "V" for Variable Speed EC control or "D" when Dual Speed control from 10 V signal will be applied.

EXAMPLE FULL MODEL:

MKD16A-118CVA is DOE / NRCan with CO₂, Variable Speed EC motor and includes the additional letter A for 208 V single phase fan power.

Key Point -

Krack evaporator capacities shown are with **midpoint** evaporating temperature to offer a consistent capacity for selection when using different refrigerants and match other Krack and Hussmann equipment.

MK/MV Series Unit Coolers

Electric Defrost Medium Profile - CO₂ Refrigerant

ELECTRIC DEFROST - CO₂

MODEL	AWEF By Refrigerant, Motor and Application				CAPACITY (BTU/H) @ 10° F TD -20° F EVAP	CAPACITY (BTU/H) @ 10° F TD +20° F EVAP	AIR FLOW (CFM)	REFRIGERATION CONNECTIONS		REF CHARGE (LBS)	DIMENSIONS (IN)			SHIP WGT (LBS)
	C - CO ₂							LIQ	SUCT		L	W	H	
	{D}ual Speed		{V}ariable Speed											
	Freezer	Cooler	Freezer	Cooler										
MKD16E-103C{ }	4.15	9.00	4.15	9.00	10,300	11,800	2,815	1/2"	1-1/8"	2.4	38.00	19.00	26.75	125
MKD16E-127C{ }	4.15	9.00	4.15	9.00	12,700	14,500	2,725	1/2"	1-1/8"	3.2	38.00	19.00	26.75	130
MKD26E-206C{ }	4.15	9.00	4.15	9.00	20,600	23,600	5,630	5/8"	1-1/8"	4.0	63.00	19.00	26.75	225
MKD26E-254C{ }	4.15	9.00	4.15	9.00	25,400	29,000	5,450	5/8"	1-1/8"	4.8	63.00	19.00	26.75	240
MKD36E-309C{ }	4.15	9.00	4.15	9.00	30,900	35,400	8,445	7/8"	1-1/8"	5.6	92.00	19.00	26.75	330
MKD36E-381C{ }	4.15	9.00	4.15	9.00	38,100	43,500	8,175	7/8"	1-1/8"	6.4	92.00	19.00	26.75	350
MKD46E-508C{ }	4.15	9.00	4.15	9.00	50,800	58,000	10,900	7/8"	1-1/8"	8.8	119.00	19.00	26.75	470
MKD14E-082C{ }	4.15	9.00	4.15	9.00	8,200	9,400	3,060	1/2"	1-1/8"	2.4	38.00	19.00	26.75	125
MKD14E-105C{ }	4.15	9.00	4.15	9.00	10,500	12,100	2,960	1/2"	1-1/8"	3.2	38.00	19.00	26.75	130
MKD24E-164C{ }	4.15	9.00	4.15	9.00	16,400	18,800	6,120	5/8"	1-1/8"	4.0	63.00	19.00	26.75	225
MKD24E-210C{ }	4.15	9.00	4.15	9.00	21,000	24,200	5,920	5/8"	1-1/8"	4.8	63.00	19.00	26.75	240
MKD34E-246C{ }	4.15	9.00	4.15	9.00	24,600	28,200	9,180	7/8"	1-1/8"	5.6	92.00	19.00	26.75	330
MKD34E-315C{ }	4.15	9.00	4.15	9.00	31,500	36,300	8,880	7/8"	1-1/8"	6.4	92.00	19.00	26.75	350
MKD44E-420C{ }	4.15	9.00	4.15	9.00	42,000	48,400	11,840	7/8"	1-1/8"	8.8	119.00	19.00	26.75	470

{ } Include motor code as either "D" for Dual Speed or "V" for Variable Speed EC motor to be used.

EXAMPLE FULL MODEL:

MKD26E-254CVAA is for DOE / NRCan application with CO₂ Variable Speed EC motor and includes the additional letters AA for 208 V single phase fan and defrost power.

Key Point -

Krack evaporator capacities shown are with **midpoint** evaporating temperature to offer a consistent capacity for selection when using different refrigerants and match other Krack and Hussmann equipment.

MK/MV Series Unit Coolers

Fan Motor Data

MK MOTOR OPTIONS

MK MODEL	VARIABLE SPEED EC MOTORS						PSC MOTORS									
	115/1/60		208-230/1/60		208-230/3/60		115/1/60		208-230/1/60		208-230/3/60		460/1/60		460/3/60	
	AMPS	WATTS	AMPS	WATTS	AMPS	WATTS	AMPS	WATTS	AMPS	WATTS	AMPS	WATTS	AMPS	WATTS	AMPS	WATTS
1 FAN	4.5	127	2.6	125	NA	NA	3.8	192	1.9	192	NA	NA	0.9	234	NA	NA
2 FAN	9.0	254	5.2	250	4.5	250	7.6	384	3.8	384	3.3	384	1.8	468	1.6	468
3 FAN	13.5	381	7.8	375	4.5	375	11.4	576	5.7	576	3.3	576	2.7	702	1.6	702
4 FAN	18.0	508	10.4	500	6.8	500	15.2	768	7.6	768	5.0	768	3.6	936	2.4	936

MV MOTOR OPTIONS

MV MODEL	VARIABLE SPEED EC MOTORS						PSC MOTORS							
	115/1/60		208-230/1/60		208-230/3/60		208-230/1/60		208-230/3/60		460/1/60		460/3/60	
	AMPS	WATTS	AMPS	WATTS	AMPS	WATTS	AMPS	WATTS	AMPS	WATTS	AMPS	WATTS	AMPS	WATTS
1 FAN	4.5	357	2.6	352	NA	NA	2.3	419	NA	NA	1.1	444	NA	NA
2 FAN	9.0	714	5.2	704	4.5	704	4.6	838	4.0	838	2.2	888	1.9	888
3 FAN	13.5	1071	7.8	1056	4.5	1056	6.9	1257	4.0	1257	3.3	1332	1.9	1332
4 FAN	18.0	1428	10.4	1406	6.8	1406	9.2	1676	6.1	1676	4.4	1776	2.9	1776

Dual or Variable Speed EC motors are motor codes "V" and "D" will use 0-10 V speed signal with 0V or no signal full speed.

PSC motors are motor code "B". Refer to complete Model Key on page 3.



Key Point -

EC motors will operate Variable Speed EC with a 0-10 V signal or Dual Speed by providing a 10 V signal for minimum speed operation. Operation will be the same as a single speed motor without a control signal.

MK/MV Series Unit Coolers

Electric/Hot Gas Defrost Heater Data

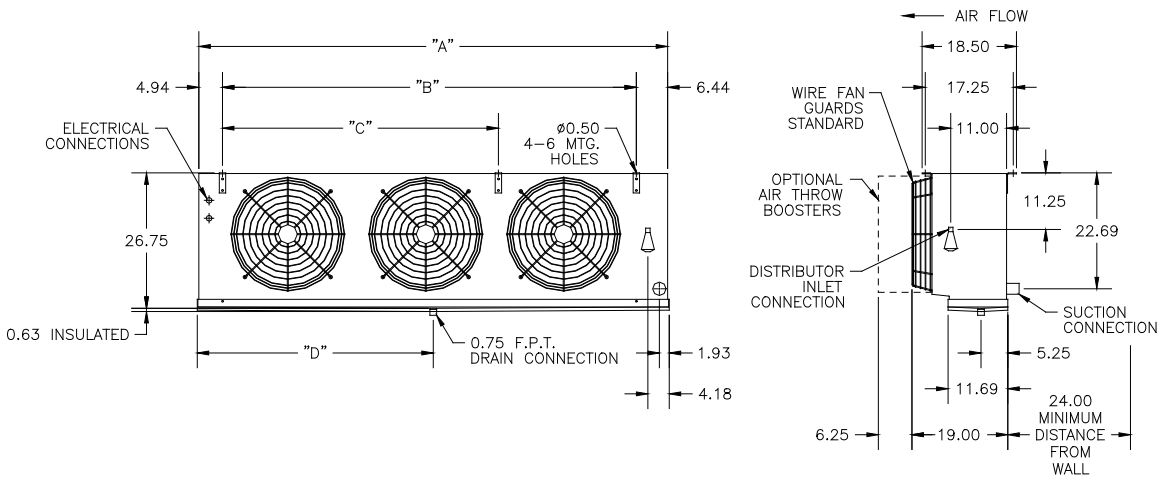
MK DATA										
MK MODEL	ELECTRIC DEFROST (E)						DRAIN PAN HEATER (H, P)			
	230/1/60		230/3/60		460/3/60		115/1/60		230/1/60	
	AMPS	WATTS	AMPS	WATTS	AMPS	WATTS	AMPS	WATTS	AMPS	WATTS
MK*16(-)-103	10.0	2,300	6.5	2,300	3.0	2,000	4.3	500	2.2	500
MK*16(-)-127	12.6	2,900	7.5	2,900	4.2	2,900	4.3	500	2.2	500
MK*26(-)-206	19.1	4,400	12.2	4,400	5.3	3,800	7.0	800	3.5	800
MK*26(-)-254	24.3	5,600	14.3	5,600	7.6	5,600	7.0	800	3.5	800
MK*36(-)-309	28.7	6,600	18.3	6,600	7.9	5,700	10.4	1,200	5.2	1,200
MK*36(-)-381	36.5	8,400	21.5	8,400	11.3	8,400	10.4	1,200	5.2	1,200
MK*46(-)-508	47.8	11,000	27.9	11,000	14.4	11,000	12.2	1,400	6.1	1,400
MK*14(-)-082	10.0	2,300	6.5	2,300	3.0	2,000	4.3	500	2.2	500
MK*14(-)-105	12.6	2,900	7.5	2,900	4.2	2,900	4.3	500	2.2	500
MK*24(-)-164	19.1	4,400	12.2	4,400	5.3	3,800	7.0	800	3.5	800
MK*24(-)-210	24.3	5,600	14.3	5,600	7.6	5,600	7.0	800	3.5	800
MK*34(-)-246	28.7	6,600	18.3	6,600	7.9	5,700	10.4	1,200	5.2	1,200
MK*34(-)-315	36.5	8,400	21.5	8,400	11.3	8,400	10.4	1,200	5.2	1,200
MK*44(-)-420	47.8	11,000	27.9	11,000	14.4	11,000	12.2	1,400	6.1	1,400

MV DATA						
MV MODEL	ELECTRIC DEFROST					
	230/1/60		230/3/60		460/3/60	
	AMPS	WATTS	AMPS	WATTS	AMPS	WATTS
MVA16E-126	10.0	2,300	6.5	2,300	3.0	2,000
MVA16E-155	12.6	2,900	7.5	2,900	4.2	2,900
MVA26E-252	19.1	4,400	12.2	4,400	5.3	3,800
MVA26E-310	24.3	5,600	14.3	5,600	7.6	5,600
MVA36E-378	28.7	6,600	18.3	6,600	7.9	5,700
MVA36E-465	36.5	8,400	21.5	8,400	11.3	8,400
MVA46E-620	47.8	11,000	27.9	11,000	14.4	11,000
MVA14E-100	10.0	2,300	6.5	2,300	3.0	2,000
MVA14E-128	12.6	2,900	7.5	2,900	4.2	2,900
MVA24E-200	19.1	4,400	12.2	4,400	5.3	3,800
MVA24E-256	24.3	5,600	14.3	5,600	7.6	5,600
MVA34E-300	28.7	6,600	18.3	6,600	7.9	5,700
MVA34E-384	36.5	8,400	21.5	8,400	11.3	8,400
MVA44E-512	47.8	11,000	27.9	11,000	14.4	11,000

Electrical information for electric defrost type "E".
 Electrical information for Pan Heaters on defrost type "P" and "H".
 Refer to complete Model Key on page 3.

MK/MV Series Unit Coolers

Dimensional Data



NOTE: Unit should be located a minimum of 24" from walls for best results.

Optional air throw booster(s) produce:

- 60 ft. air throw (MK)
- 75 ft. air throw (MV)

UNIT DIMENSIONS

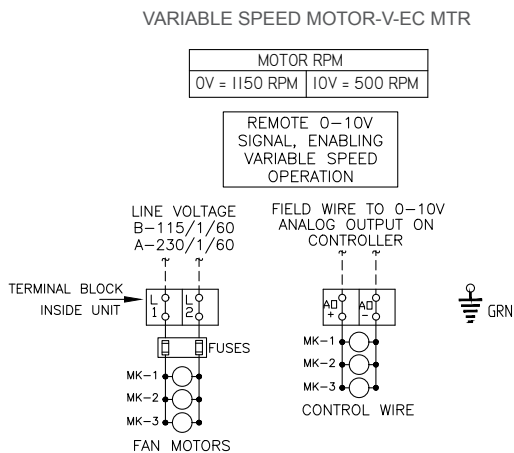
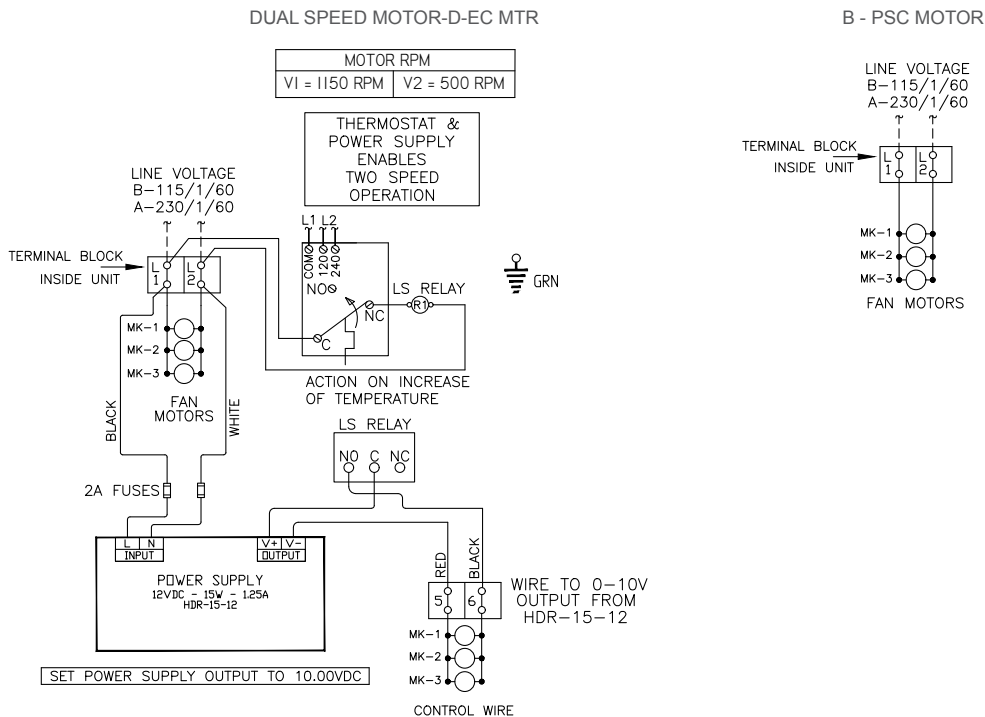
SIZE	A	B	C	D
1 FAN	38.38	27.00	—	19.19
2 FAN	63.38	54.00	—	32.69
3 FAN	92.38	81.00	54.00	46.19
4 FAN	119.38	108.00	54.00	59.69

Note: Dimensions in inches.

MK/MV Series Unit Coolers

Wiring Diagrams

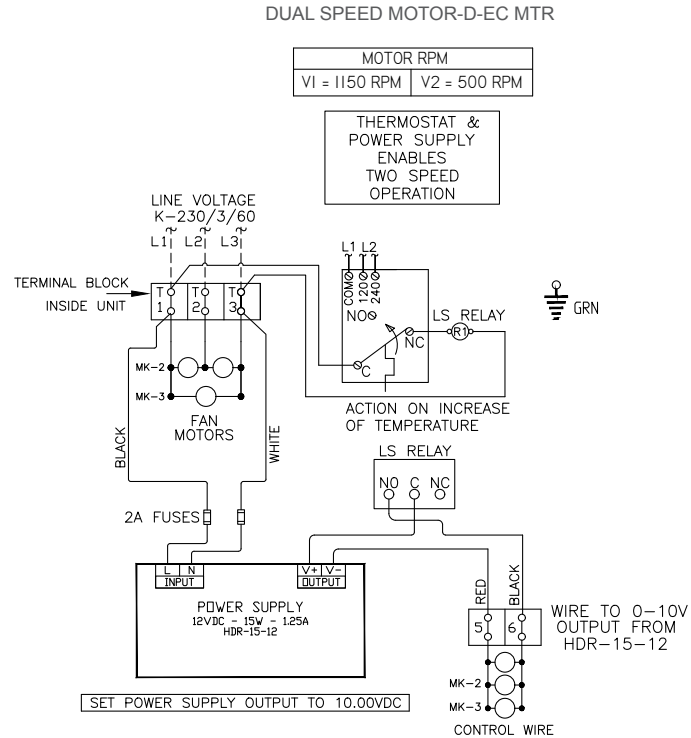
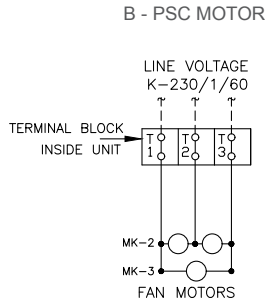
Air Defrost Wiring - 230/1/60



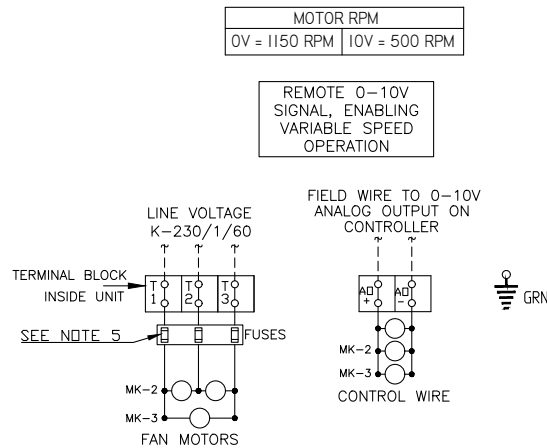
MK/MV Series Unit Coolers

Wiring Diagrams

Air Defrost Wiring - 230/3/60



VARIABLE SPEED MOTOR-V-EC MTR

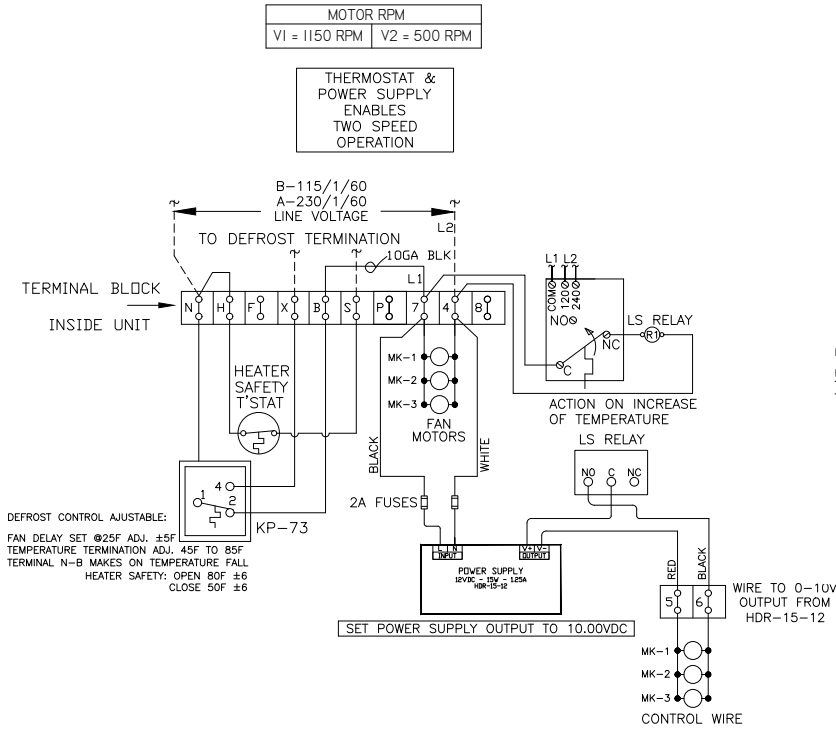


MK/MV Series Unit Coolers

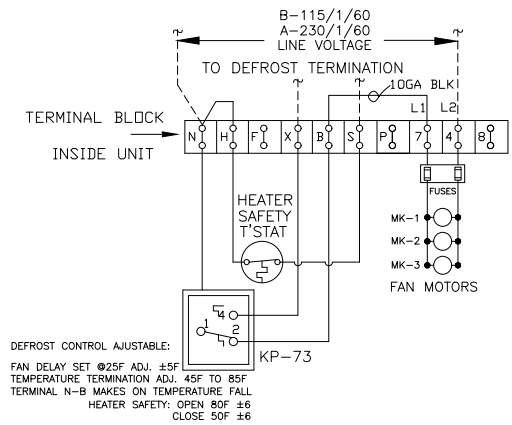
Wiring Diagrams

Electric Defrost Wiring - 230/1/60

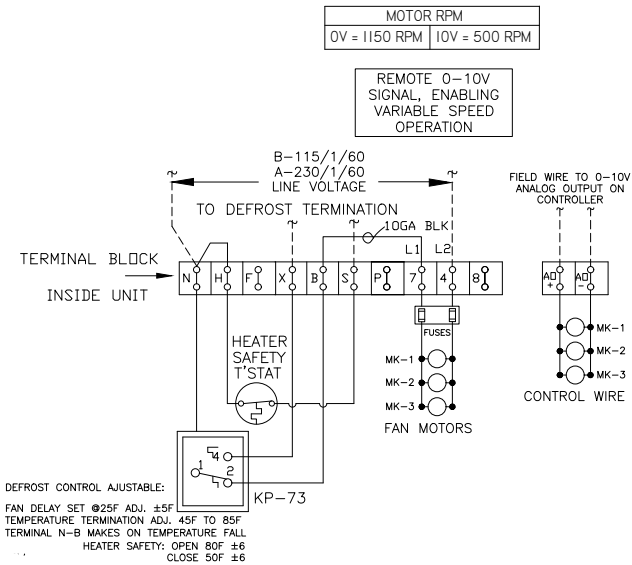
DUAL SPEED MOTOR-D-EC MTR



B - PSC MOTOR



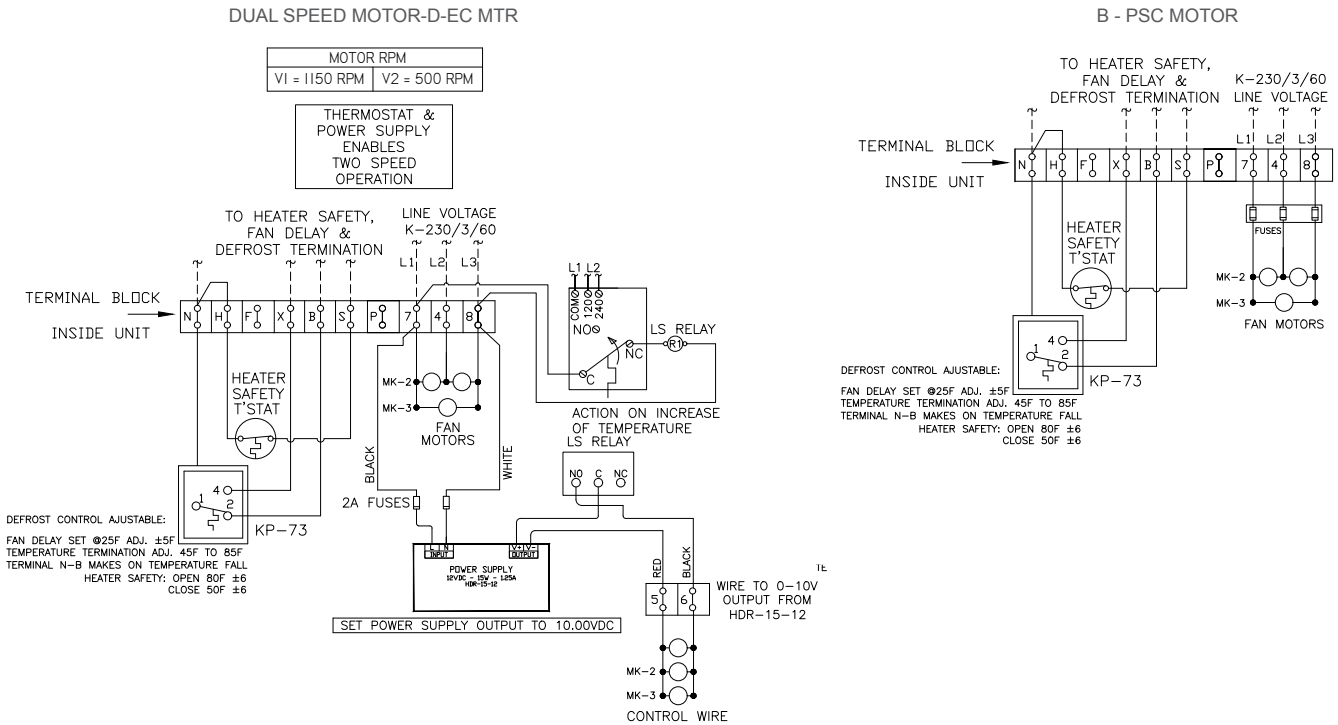
VARIABLE SPEED MOTOR-V-EC MTR



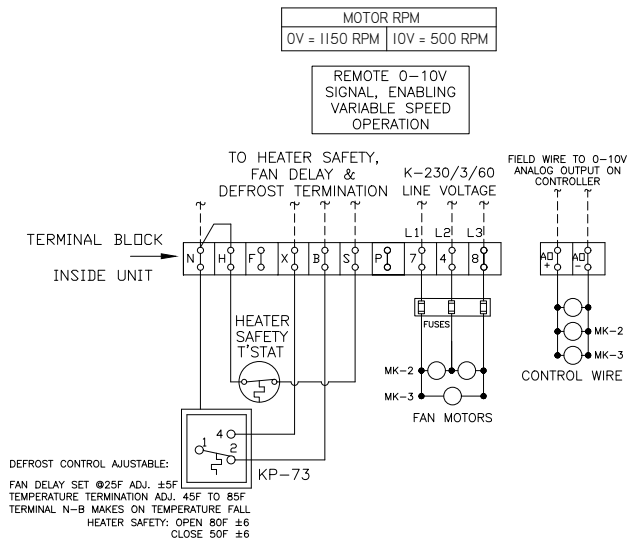
MK/MV Series Unit Coolers

Wiring Diagrams

Electric Defrost Wiring - 230/3/60



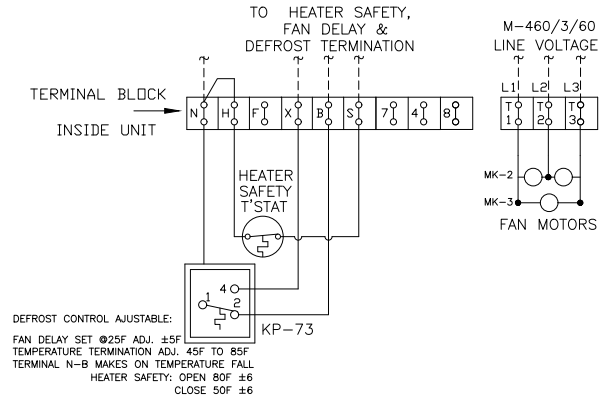
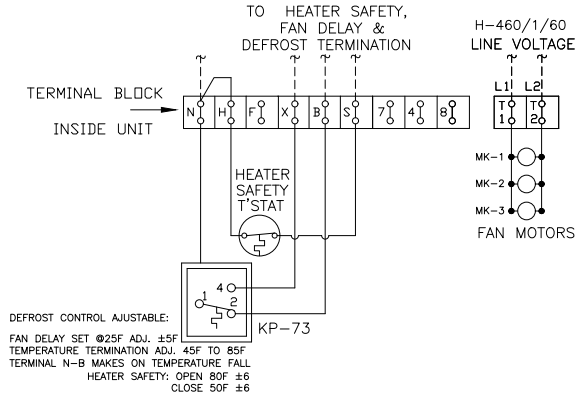
VARIABLE SPEED MOTOR-V-EC MTR



MK/MV Series Unit Coolers

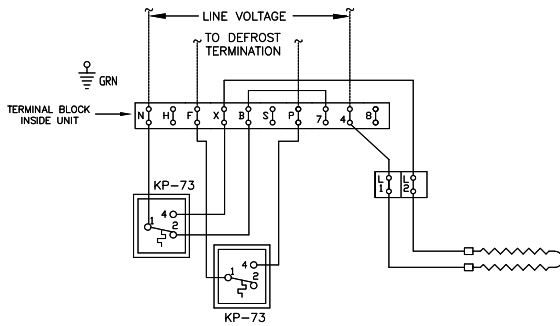
Wiring Diagrams

Electric Defrost Wiring - 460/1/60 and 460/3/60

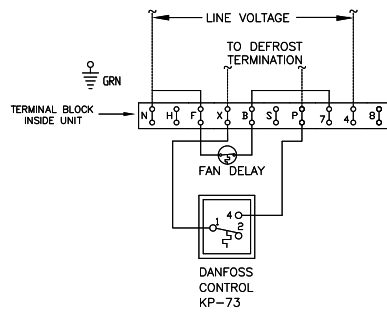


MK Gas Defrost Setup

H and P Defrost Control Wiring -
Gas Defrost with Electric Drain Pan Heater



G and K Defrost Control Wiring -
Gas Defrost with Gas Drain Pan Heater





Use your QR reader to
reference current document
version on www.krack.com.



Krack, a Hussmann Corporation brand

For all customers inquiries,
visit www.krack.com or call 800.922.1919.

www.krack.com
www.hussmann.com