



Engineering Dimensions & Data

Models ATC 218B to 755B

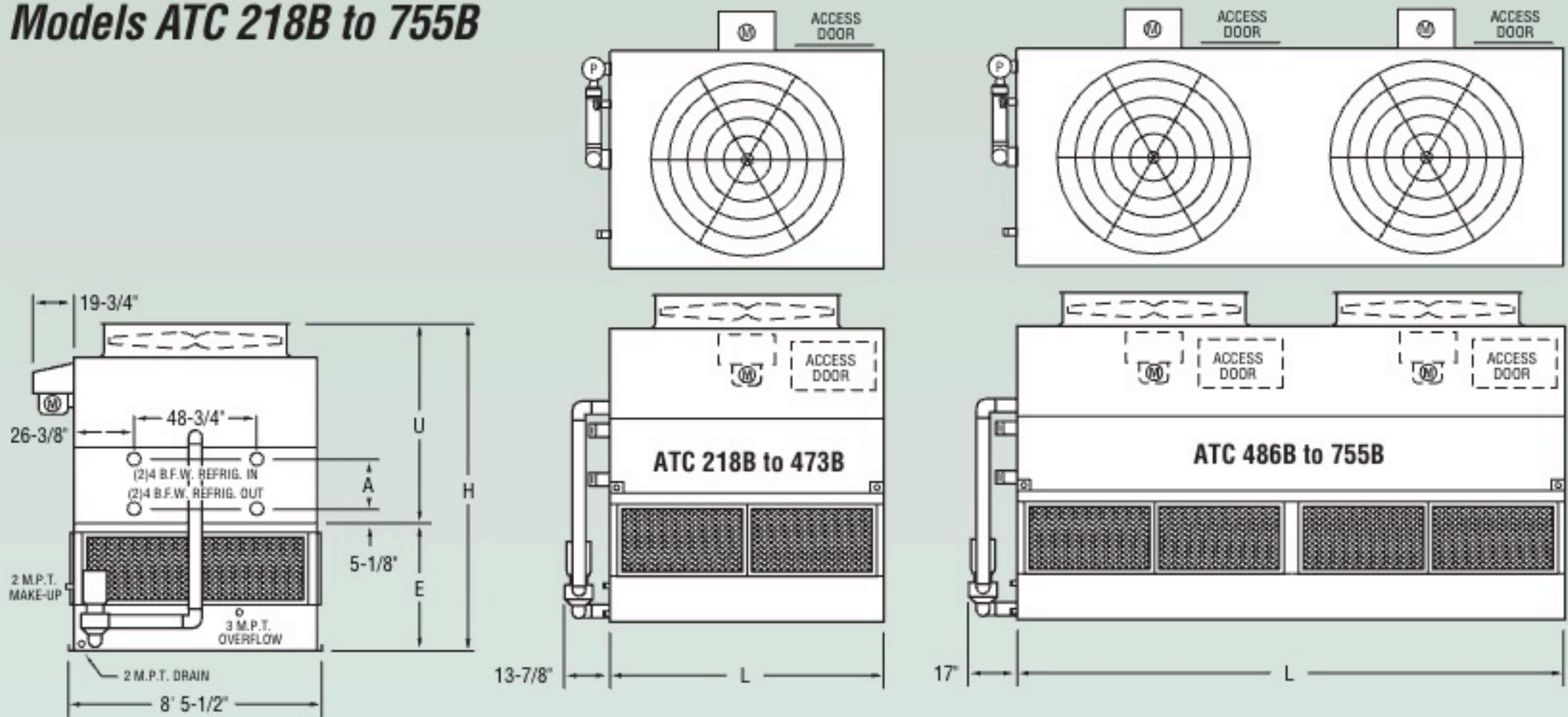


Table 9 Engineering Data

ATC Model No.*	R-717 Tons*	Fans		Weights			Refrigerant Operating Charge lbs.***	Coil Volume ft ³	Spray Pump		Remote Pump		Dimensions					
		HP††	CFM	Shipping	Operating	Heaviest Section†			HP	GPM	Gallons Req'd**	Conn. Size	Operating Weight	Height H	Upper U	Lower E	Coil A	Length L
218B	155	7-1/2	38,400	9,080	12,095	7,640	210	29	2	410	250	8"	10,835	11' 10-1/8"	7' 6-3/8"	4' 3-3/4"	27"	8' 11-1/2"
233B	166	10	42,200	9,110	12,125	7,670	210	29	2	410	250	8"	10,865	11' 10-1/8"	7' 6-3/8"	4' 3-3/4"	27"	8' 11-1/2"
253B	180	15	47,500	9,180	12,195	7,740	210	29	2	410	250	8"	10,935	11' 10-1/8"	7' 6-3/8"	4' 3-3/4"	27"	8' 11-1/2"
258B	183	10	40,900	10,380	13,490	8,940	260	35	2	410	250	8"	12,230	12' 5-5/8"	8' 1-7/8"	4' 3-3/4"	34-1/2"	8' 11-1/2"
280B	199	15	46,100	10,450	13,560	9,010	260	35	2	410	250	8"	12,300	12' 5-5/8"	8' 1-7/8"	4' 3-3/4"	34-1/2"	8' 11-1/2"
305B	217	20	48,400	11,730	14,935	10,290	309	42	2	410	250	8"	13,675	13' 1-1/8"	8' 9-3/8"	4' 3-3/4"	42"	8' 11-1/2"
246B	175	15	54,700	9,195	12,645	7,535	187	25	3	500	290	10"	11,135	11' 2-5/8"	6' 10-7/8"	4' 3-3/4"	19-1/2"	10' 5-1/2"
269B	191	10	46,800	10,475	14,035	8,815	244	33	3	500	290	10"	12,525	11' 10-1/8"	7' 6-3/8"	4' 3-3/4"	27"	10' 5-1/2"
294B	209	15	53,100	10,545	14,105	8,885	244	33	3	500	290	10"	12,595	11' 10-1/8"	7' 6-3/8"	4' 3-3/4"	27"	10' 5-1/2"
325B	231	15	51,500	12,035	15,705	10,375	302	41	3	500	290	10"	14,195	12' 5-5/8"	8' 1-7/8"	4' 3-3/4"	34-1/2"	10' 5-1/2"
355B	252	20	54,100	13,515	17,295	11,855	359	49	3	500	290	10"	15,785	13' 1-1/8"	8' 9-3/8"	4' 3-3/4"	42"	10' 5-1/2"
369B	262	25	57,600	13,545	17,325	11,885	359	49	3	500	290	10"	15,815	13' 1-1/8"	8' 9-3/8"	4' 3-3/4"	42"	10' 5-1/2"
358B	255	15	56,800	13,110	17,400	11,290	344	47	3	550	330	10"	15,690	12' 10"	8' 1-7/8"	4' 8-1/8"	34-1/2"	11' 11-3/4"
371B	263	15	55,000	14,750	19,165	12,930	410	56	3	550	330	10"	17,455	13' 5-1/2"	8' 9-3/8"	4' 8-1/8"	42"	11' 11-3/4"
379B	269	20	61,500	13,150	17,440	11,330	344	47	3	550	330	10"	15,730	12' 10"	8' 1-7/8"	4' 8-1/8"	34-1/2"	11' 11-3/4"
392B	278	20	59,700	14,790	19,205	12,970	410	56	3	550	330	10"	17,495	13' 5-1/2"	8' 9-3/8"	4' 8-1/8"	42"	11' 11-3/4"
409B	290	25	63,500	14,810	19,225	12,990	410	56	3	550	330	10"	17,515	13' 5-1/2"	8' 9-3/8"	4' 8-1/8"	42"	11' 11-3/4"
385B	274	20	71,000	13,105	17,945	11,075	323	44	3	600	380	10"	15,985	12' 2-1/2"	7' 6-3/8"	4' 8-1/8"	27"	13' 11-3/4"
398B	283	15	63,000	14,910	19,900	12,880	400	54	3	600	380	10"	17,940	12' 10"	8' 1-7/8"	4' 8-1/8"	34-1/2"	13' 11-3/4"
423B	301	20	68,800	14,950	19,940	12,920	400	54	3	600	380	10"	17,980	12' 10"	8' 1-7/8"	4' 8-1/8"	34-1/2"	13' 11-3/4"
442B	313	25	73,300	14,970	19,960	12,940	400	54	3	600	380	10"	18,000	12' 10"	8' 1-7/8"	4' 8-1/8"	34-1/2"	13' 11-3/4"
457B	324	25	71,000	16,865	22,000	14,835	477	65	3	600	380	10"	20,040	13' 5-1/2"	8' 9-3/8"	4' 8-1/8"	42"	13' 11-3/4"
473B	336	30	74,700	16,885	22,020	14,855	477	65	3	600	380	10"	20,060	13' 5-1/2"	8' 9-3/8"	4' 8-1/8"	42"	13' 11-3/4"
486B	345	(2)10	84,800	17,490	23,780	14,690	412	56	5	800	510	12"	21,240	12' 6-1/2"	7' 6-3/8"	5' 1/8"	27"	18' 0"
527B	374	(2)15	9,300	17,630	23,920	14,830	412	56	5	800	510	12"	21,380	12' 6-1/2"	7' 6-3/8"	5' 1/8"	27"	18' 0"
578B	411	(2)15	92,500	19,955	26,440	17,155	512	70	5	800	510	12"	23,900	13' 2"	8' 1-7/8"	5' 1/8"	34-1/2"	18' 0"
598B	425	(2)15	89,500	22,415	29,090	19,615	612	83	5	800	510	12"	26,550	13' 9-1/2"	8' 9-3/8"	5' 1/8"	42"	18' 0"
630B	447	(2)20	97,100	22,515	29,190	19,715	612	83	5	800	510	12"	26,650	13' 9-1/2"	8' 9-3/8"	5' 1/8"	42"	18' 0"
508B	360	(2)15	104,100	17,185	24,405	14,075	363	50	7-1/2	1,050	590	12"	21,445	11' 11"	6' 10-7/8"	5' 1/8"	19-1/2"	21' 0"
557B	395	(2)10	93,800	19,830	27,270	16,720	480	65	7-1/2	1,050	590	12"	24,310	12' 6-1/2"	7' 6-3/8"	5' 1/8"	27"	21' 0"
609B	432	(2)15	101,200	19,970	27,410	16,860	480	65	7-1/2	1,050	590	12"	24,450	12' 6-1/2"	7' 6-3/8"	5' 1/8"	27"	21' 0"
666B	473	(2)15	98,200	22,670	30,335	19,560	596	81	7-1/2	1,050	590	12"	27,375	13' 2"	8' 1-7/8"	5' 1/8"	34-1/2"	21' 0"
687B	488	(2)15	95,100	25,525	33,415	22,415	713	97	7-1/2	1,050	590	12"	30,455	13' 9-1/2"	8' 9-3/8"	5' 1/8"	42"	21' 0"
703B	499	(2)20	103,400	22,770	30,435	19,660	596	81	7-1/2	1,050	590	12"	27,475	13' 2"	8' 1-7/8"	5' 1/8"	34-1/2"	21' 0"
725B	515	(2)20	100,100	25,625	33,515	22,515	713	97	7-1/2	1,050	590	12"	30,555	13' 9-1/2"	8' 9-3/8"	5' 1/8"	42"	21' 0"
755B	536	(2)25	108,600	25,685	33,575	22,575	713	97	7-1/2	1,050	590	12"	30,615	13' 9-1/2"	8' 9-3/8"	5' 1/8"	42"	21' 0"

* Tons at standard conditions: HCFC-22 and HFC-134a. 105°F condensing, 40°F suction and 78°F W.B.; ammonia 96.3°F condensing, 20°F suction and 78°F W.B.

** Gallons shown is water in suspension in unit and piping. Allow for additional water in bottom of remote sump to cover pump suction and strainer during operation. (12" would normally be sufficient.)

† Heaviest section is the coil section.

*** Refrigerant charge is shown for R-717. Multiply by 1.93 for R-22 and 1.98 for R-134a.

Dimensions are subject to change. Do not use for pre-fabrication. Quantity of coil connections subject to change based on refrigerant and design conditions.