

CUST.NO. 890-300582AA

REVISIONS

ISSUED 5/11/93
01*GB 5/14/93

DESCRIPTION

OUTDOOR METAL-ENCLOSED SWGR.
SERVICE 4.160V, 5KV MAX. DESIGN,
1200AMP, 3PH, 3W, 60HZ, 60KV BIL

ALL IN ACCORDANCE WITH APPLICABLE
ANSI, IEEE, OSHA AND NEMA STANDARDS



FRONT VIEW---- C- 9718
SCHEMATIC---- C- 9718
CONN. DIAG---- -

SPECIAL INSTRUCTIONS:

1. SWITCHGEAR CONSTRUCTION IN ACCORDANCE WITH POWERCON BULLETIN PC003C
2. COPPER BUS INSULATED WITH SILVER PLATED JOINTS.
3. NO-DRIP COMPOUND TO BE APPLIED TO UNDERSIDE OF THE ROOF.

SHIPPING INSTRUCTIONS:
TROPICANA PRODUCTS COMPANY
1001 13TH AVENUE EAST
BRADENTON, FL 34208

MARK ALL PACKAGES WITH: 375139

REL.MATL.FOR PURC: YES
BY: JC
DATE: 05/11/93

PAINT: ANSI-61 EPOXY
LIGHT GRAY

3 SETS OF INSTRUCTION BOOKS

CUSTOMER--GE SUPPLY COMPANY
STATION---TROPICANA PRODUCTS CO.
LOCATION--BRADENTON, FL 34208

POWERCON CORPORATION
SUMMARY OF EQUIPMENT

S.O. 00-25303

REV SOURCE (Control#)	MARK	TOTAL QUAN	DESCRIPTION	UNIT QTY BREAKDOWN FIVE UNITS PER LINE
PCOEM (80043)	1	4	CAT# A062-009 LOAD BREAK INTERR. SW TYPE PIF, 3 POLE, 60HZ, RATED 4.8 KV, MAX. VOLTS 5 KV. CONT. AMPS 600, 40,000 AMPS ASYM. MOM., 60KV BIL 40,000 AMPS ASYM. FAULT CLOSE S/N-(S.O.#-UNIT#) INSTR&R/P PCB-1002	UNIT-QTY PER UNIT 01-05 1 1 1 1 1
PCOEM (80204)	2	4	CAT# A013-039R MANUAL OPERATOR, FIXED HANDLE, WITH MECHANICAL DOOR INTERLOCK AND PROVISIONS FOR KEY INTERLOCK	UNIT-QTY PER UNIT 01-05 1 1 1 1 1
PCOEM (80109)	3	4	CAT# A069-069 EJO-1 FUSE "D" OR "DD" MTG EXTENSION ASSEMBLY	UNIT-QTY PER UNIT 01-05 1 1 1 1 1
PCOEM (80301)	4	9	CAT# 533-009 LIVE PARTS SIZE "D" FOR USE WITH GE. EJO & EJ WSHE CLE-1 & CLE-2 GE GEK-39196	UNIT-QTY PER UNIT 01-05 3 3 3
GE (87358)	5	9	CAT# 9F62DCB200 H.V. POWER FUSE, 5.50 KV MAX. TYPE EJO-1, 200E FOR USE WITH SIZE "D" LIVE PARTS	UNIT-QTY PER UNIT 01-05 3 3 3
PCOEM (80303)	6	3	CAT# 533-019 LIVE PARTS SIZE "DD" FOR USE WITH G.E. EJ, EJO, GE GEK-39196	UNIT-QTY PER UNIT 01-05 3
GE (87360)	7	3	CAT# 9F62FCB300 H.V. POWER FUSE, 5.50 KV MAX. TYPE EJO-1, 300E FOR USE WITH SIZE "DD" LIVE PARTS	UNIT-QTY PER UNIT 01-05 3
PENN (80501)	8	6-EA	CAT# LSN-025N CLAMP TYPE LUG FOR WIRE RANGE #6 TO 250 MCM	UNIT-QTY PER UNIT 01-05 2 1 1 1 1 1
CTRON (1686)	9	1	CAT# 231-33 FUSE BLOCK, 1P, 30A, 250V FOR NEC/CLASS K FUSE	UNIT-QTY PER UNIT 01-05 1
G-SHAW (1712)	10	1	CAT# OT15 NEC FUSE, 15A, 250V	UNIT-QTY PER UNIT 01-05 1
WATLOW (80601)	11	5	CAT# 83E-1022-1 SPACE HEATER 250W, 120V	UNIT-QTY PER UNIT 01-05 1 1 1 1 1
CTRON (90106)	13	1	CAT# NFT3 TERMINAL BLOCK, 3 POINT, WIRE RANGE # 22 TO # 8.	UNIT-QTY PER UNIT 01-05 1
OTHER	16	5	CAT# . QT. OF PAINT SEE SUMMARY FRONT SHEET FOR STD COLOR OR SPECIAL INSTRUCTIONS.	UNIT-QTY PER UNIT 01-05 1 1 1 1 1
HOFER (82558)	17	6	CAT# AL 500 N COMPRESSION LUG, EXTRA LONG BARREL, 2 HOLE NEMA MTG. FOR USE WITH 500 MCM ALUM. CABLE	UNIT-QTY PER UNIT 01-05 6
HOFER (80554)	18	3	CAT# L 4/0 N COMPRESSION LUG, EXTRA LONG BARREL, 2 HOLE NEMA MTG. FOR USE WITH #4/0 COPPER CABLE	UNIT-QTY PER UNIT 01-05 3
HOFER (80551)	19	9	CAT# L 1/0 N COMPRESSION LUG, EXTRA LONG BARREL, 2 HOLE NEMA MTG. FOR USE WITH # 1/0 COPPER CABLE	UNIT-QTY PER UNIT 01-05 3 3 3
(300100)	20	5	CAT# 5-1/2" X 10" PLASTIC SIGN "DANGER" "HIGH VOLTAGE"	UNIT-QTY PER UNIT 01-05 1 1 1 1 1
CEM (300000)	21	4	CAT# WARNING #001 3" X 3-1/2" ORANGE/WHITE LABEL, "FUSES MAY BE ENERGIZED BY BACKFEED"	UNIT-QTY PER UNIT 01-05 1 1 1 1

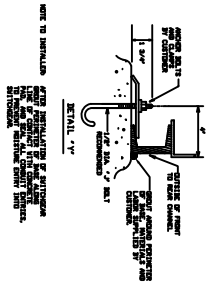
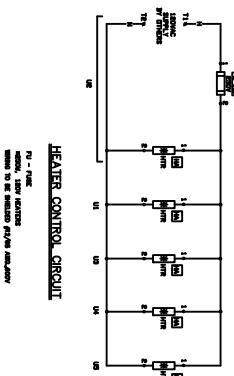
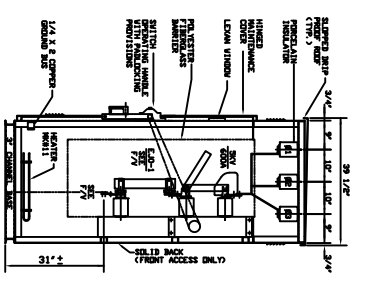
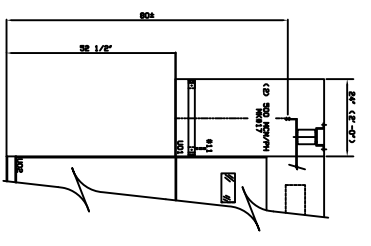
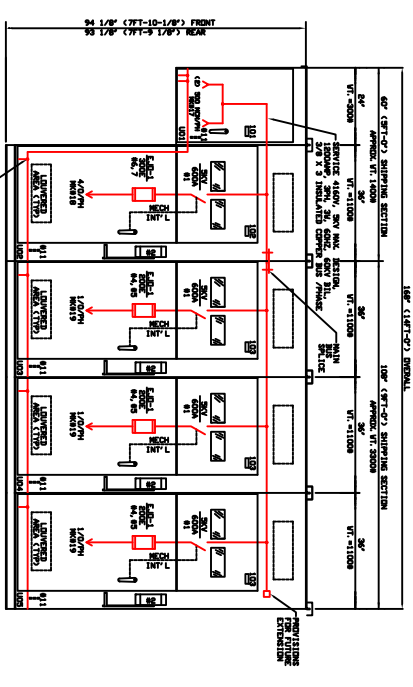
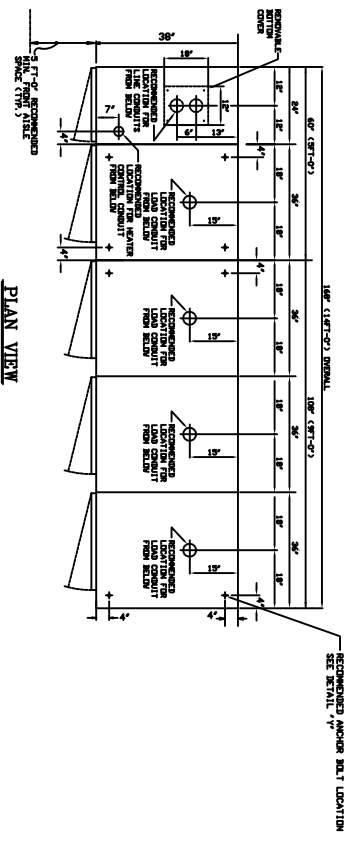
POWERCON CORPORATION
SUMMARY OF EQUIPMENT

S.O. 00-25303

REV SOURCE (Control#)	MARK	TOTAL QUAN	DESCRIPTION	UNIT QTY BREAKDOWN FIVE UNITS PER LINE
CEM (300001)	22	4	CAT# WARNING #002 3" X 3-1/2" ORANGE/WHITE LABEL, "SWITCH MAY BE ENERGIZED BY BACKFEED"	UNIT-QTY PER UNIT 01-05 1 1 1 1
CEM (300002)	23	4	CAT# WARNING #003 3" X 5" ORANGE/WHITE LABEL, "SAFETY VIEWING OPENINGS ARE... BEFORE & AFTER SWITCH OPERATION... VERIFY BACKFEED VOLTAGE NOT... ONLY QUALIFIED PERSONS, WHO HAVE..."	UNIT-QTY PER UNIT 01-05 1 1 1 1
PWRCON (80861)	99	1	CAT# PWRCON MFG N/P.2X4 BWB 1/8"LET MODEL S-10306,C-9718 SERIAL 00-25303 VOLTAGE 4.16KV NOM., 5 KV MAX DESIGN 60KV BIL, MAIN BUS 1200AMPS, 60HZ, SHORT CIRCUIT 40,000 AMPS ASYM. MOM. FAULT CLOSE 40,000 AMPS ASYM.	

REVISIONS

REVISIONS
 Δ REVISED AS BUILT & TESTED
 06/24/93 CLD



RECOMMENDED ANCHOR HOLE LOCATION
 SEE DETAIL "A"

NOTE: NO-BRIP COMPOUND TO BE APPLIED TO UNDERSIDE OF THE ROOF.

8126-C

THIS DRAWING AND ALL PREVIOUS ISSUES ARE THE SOLE PROPERTY OF THE POWERCON CORPORATION. NO PART OF THIS DRAWING IS TO BE REPRODUCED OR TRANSMITTED IN ANY FORM OR BY ANY MEANS, ELECTRONIC OR MECHANICAL, INCLUDING PHOTOCOPYING, RECORDING, OR BY ANY INFORMATION STORAGE AND RETRIEVAL SYSTEM, WITHOUT THE WRITTEN AUTHORIZATION OF THE POWERCON CORPORATION. THE EXPRESS CONDITION THAT THEY WILL NOT BE USED IN ANY WAY DETRIMENTAL TO THE POWERCON CORPORATION.

DESCRIPTION OF OPERATION	
STANDARD	PC-003C
FRONT VIEW	S-10306
SCHEDULE	C-9718
WIRING DIAGRAM	C-9718

OWNER: GE SUPPLY COMPANY	
P.O. NO.	890-300582 AA
DATE	05/10/93
BY	DMITRY SMOLKIN
DATE	05/10/93
BY	GEORGE BARG
DATE	05/10/93
BY	DAVID VILIKH
DATE	05/10/93
BY	
DATE	

Powercon Corp

TITLE: OUTDOOR METAL-ENCLOSED SVGR
 SERVICE: 4.16KV, 5KV MAX. DESIGN,
 1200AMP, 3PH, 3W, 60HZ, 60KV BIL.
 STATION: TROPTICANA PRODUCTS CD.
 LOCATION: BRADENTON, FL 34408

S.O. 00-25303 C-9718

SHT# 1 OF 1