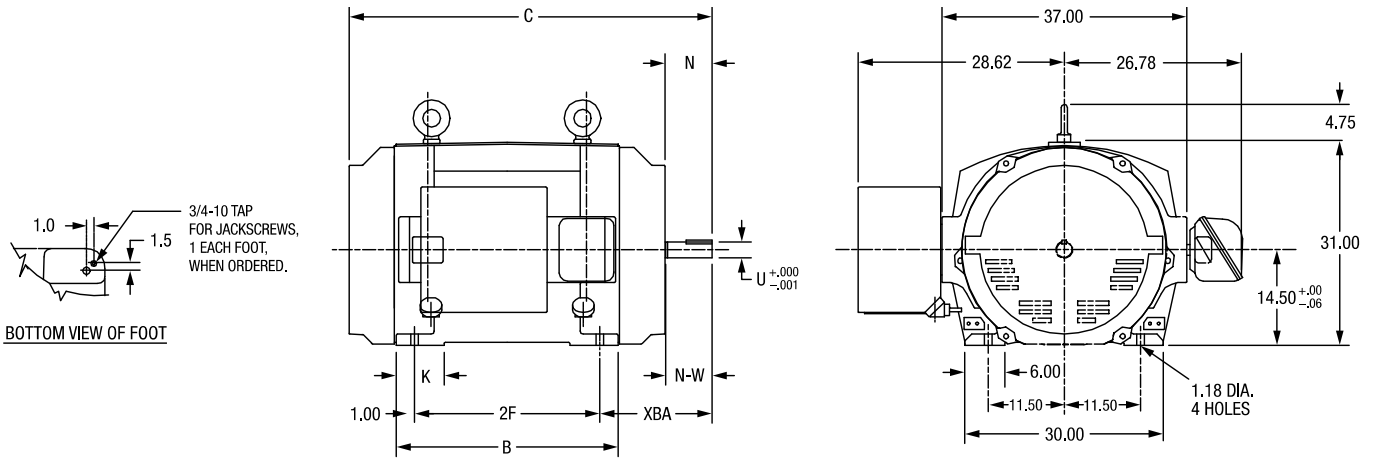


# Typical Dimensions *(Only use Certified Prints for Construction & Installation)*

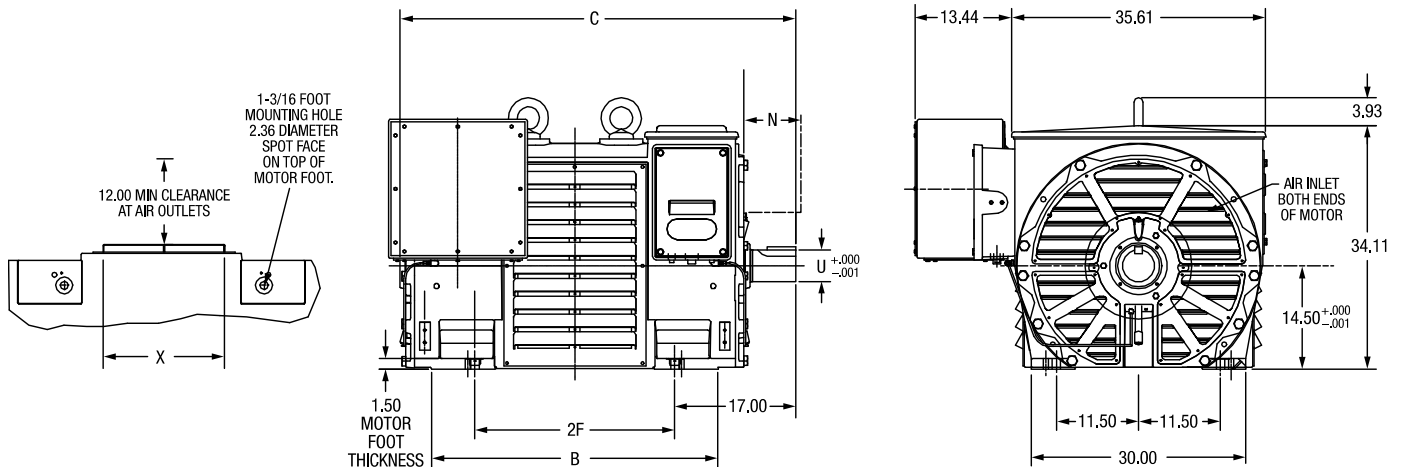
## ODP / WPI E5800 Drawing 616160-004



SEE DRAWING 616171-003 FOR CONDUIT BOX DIMENSIONS.

Frame	Bearings	C	B	2F	K	XBA	N	N-W	U
5808S	Anti Friction	54.88	33.50	28.00	9.50	17.00	7.12	6.75	4.50
5808	Anti Friction	58.88	33.50	28.00	9.50	21.00	11.12	10.75	4.50
5810S	Anti Friction	62.88	41.50	36.00	9.50	17.00	7.12	6.75	4.50
5810	Anti Friction	66.88	41.50	36.00	9.50	21.00	11.12	10.75	4.50
5812S	Anti Friction	71.88	45.00	45.00	9.50	17.00	7.12	6.75	4.50
5812	Anti Friction	75.88	45.00	45.00	9.50	21.00	11.12	10.75	4.50
5808S	Sleeve	54.75	33.50	28.00	9.25	17.00	7.25	7.00	3.63
5808S	Sleeve	54.75	33.50	28.00	9.25	17.00	7.25	7.00	2.88
5810S	Sleeve	62.75	41.50	36.00	9.25	17.00	7.25	7.00	3.63
5810S	Sleeve	62.75	41.50	36.00	9.25	17.00	7.25	7.00	2.88
5812S	Sleeve	71.75	50.50	45.00	9.25	17.00	7.25	7.00	4.50
5812S	Sleeve	71.75	50.50	45.00	9.25	17.00	7.25	7.00	3.63

## ODP / WPI O5800 Drawing 616160-014



SEE DRAWING 616171-027 FOR TERMINAL BOX DIMENSIONS.

Frame	Bearings	C	B	2F	N	U	N
05808	Anti Friction	56.46	40.13	28.00	8.00	4.50	7.32
05810	Anti Friction	63.48	48.13	36.00	8.00	4.50	7.32
05812	Anti Friction	72.48	57.13	45.00	8.00	4.50	7.32
05808S	Sleeve	55.99	40.13	28.00	12.00	2.88	7.56
05810S	Sleeve	63.99	48.13	36.00	12.00	2.88	7.56
05812S	Sleeve	72.99	57.13	45.00	12.00	3.63	7.56

**Note:** Drawings shown are for reference only. Please contact Baldor for a detailed dimensional drawing of the specific motor you require. Dimensions are in inches. Drawings may also be available from our website at [www.baldor.com](http://www.baldor.com).