

CENTRIFUGAL FANS & BLOWERS

TCD BC AIRFOIL BLOWERS

FEATURES & BENEFITS

- Highly efficient airfoil (BCA) design
- Direct drive, non-overloading BC airfoil impeller
- Epoxy coated steel housing
- Flanged and drilled outlet, ABS inlet cone
- Rugged GRP impeller
- Cast aluminum impeller hub w/bushing
- Single or three phase TEFC motors
- CW rotation; rotatable to 5 positions
- Compact design, rugged construction

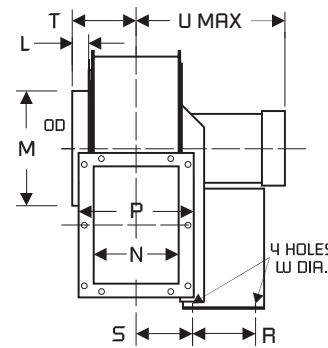
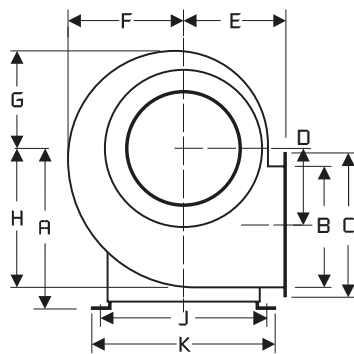


ACCESSORIES / OPTIONS

- Inlet flanges & guards
- Backdraft damper
- Explosion proof & special duty motors
- Weather hood
- Shaft seal
- CCW rotation

MODEL	MTR HP	dBA @5'	AIRFLOW PERFORMANCE (CFM) AT 1750 RPM																
			0" SP		0.5" SP		1" SP		1.5" SP		2" SP		2.5" SP		3" SP		3.5" SP		
			CFM	BHP	CFM	BHP	CFM	BHP	CFM	BHP	CFM	BHP	CFM	BHP	CFM	BHP	CFM	BHP	
TCD250	1/4	58	840	0.08	670	0.09	440	0.08											
TCD280	1/4	62	1130	0.18	1030	0.18	770	0.18	350	0.16									
TCD315	1/2	67	1650	0.33	1480	0.33	1290	0.34	1010	0.33	570	0.28							
TCD355	3/4	72	2320	0.63	2110	0.64	1900	0.65	1630	0.64	1300	0.63	720	0.57					
TCD400	1-1/2	73	3070	1.20	2880	1.21	2650	1.22	2410	1.23	2140	1.22	1790	1.21	1240	1.17			
TCD450	2	74	4490	1.75	4320	1.77	4080	1.80	3780	1.81	3460	1.82	3080	1.80	2660	1.77	2160	1.69	

MODEL	MTR HP	dBA @5'	AIRFLOW PERFORMANCE (CFM) AT 3450 RPM																
			0" SP		1" SP		2" SP		3" SP		4" SP		5" SP		6" SP		7" SP		
			CFM	BHP	CFM	BHP	CFM	BHP	CFM	BHP	CFM	BHP	CFM	BHP	CFM	BHP	CFM	BHP	
TCD200	1/3	68	870	0.24	700	0.24	500	0.21	275	0.17									
TCD225	1/2	73	1060	0.42	950	0.43	780	0.44	580	0.42									
TCD250	3/4	75	1625	0.64	1520	0.65	1320	0.66	1110	0.66	870	0.64	440	0.53					
TCD280	1-1/2	77	2220	1.35	2170	1.37	2000	1.39	1760	1.41	1480	1.40	1150	1.34	560	1.13			
TCD315	3	82	3330	2.48	3160	2.52	2960	2.53	2740	2.55	2500	2.57	2230	2.58	1910	2.53	1480	2.34	
TCD355	5	86	4574	4.83	4412	4.75	4324	4.83	4180	4.67	4060	4.67	3553	4.60	3230	4.53	2850	4.37	



MODEL	DIMENSIONS IN INCHES*																			WT (LBS) LESS MTR	
	A	B	C	D	E	F	G	H	J	K	L	M	N	P	R	S	T	U MAX	W		
TCD200	10.5	7.1	9.5	4.7	6.8	7.2	6.1	8.6	11.5	13.0	1.5	7.0	5.3	7.7	5.5	3.7	4.3	11.1	0.5	43	
TCD225	11.5	7.9	10.2	5.6	7.5	8.3	6.9	9.9	12.5	14.0	1.5	8.0	6.1	8.5	5.5	4.1	4.7	12.9	0.5	51	
TCD250	12.5	8.7	11.0	6.4	8.2	9.1	7.6	11.1	13.5	15.0	1.5	9.0	6.9	9.3	5.5	4.5	5.1	13.3	0.5	56	
TCD280	14.0	10.2	12.6	6.7	8.9	10.1	8.5	12.2	14.5	16.0	1.5	10.0	7.7	10.0	8.0	4.9	5.5	13.7	0.5	69	
TCD315	15.5	11.8	14.2	7.6	9.8	11.3	9.6	13.8	17.5	19.5	2.0	12.0	8.5	10.8	10.0	5.6	6.6	16.1	0.6	114	
TCD355	17.5	13.4	15.8	8.4	10.7	12.6	10.6	15.4	19.0	21.0	2.0	14.0	9.5	11.8	12.0	6.1	7.1	14.6	0.6	120	
TCD400	19.5	15.2	18.3	9.3	11.8	14.1	11.9	17.2	21.0	23.0	2.0	16.0	10.6	13.8	12.0	6.7	7.7	15.7	0.6	147	
TCD450	21.5	16.9	20.1	10.5	13.2	16.0	13.3	19.3	23.0	25.0	2.0	18.0	11.8	15.0	12.0	7.3	8.3	17.8	0.6	181	

*DO NOT USE FOR CONSTRUCTION

CONSULT FACTORY FOR CERTIFIED PRINTS

TFD FLANGE MOUNT BLOWERS

FEATURES & BENEFITS

- Super quiet, non-overloading 'TEK' impeller
- Epoxy coated steel housing
- Flanged and drilled outlet, ABS inlet cone
- Rugged GRP airfoil impeller
- Cast aluminum impeller hub w/bushing
- Single or three phase TEFC motors
- CW rotation rotatable to any position
- Compact design, rugged construction
- Capacities to 4,500 cfm

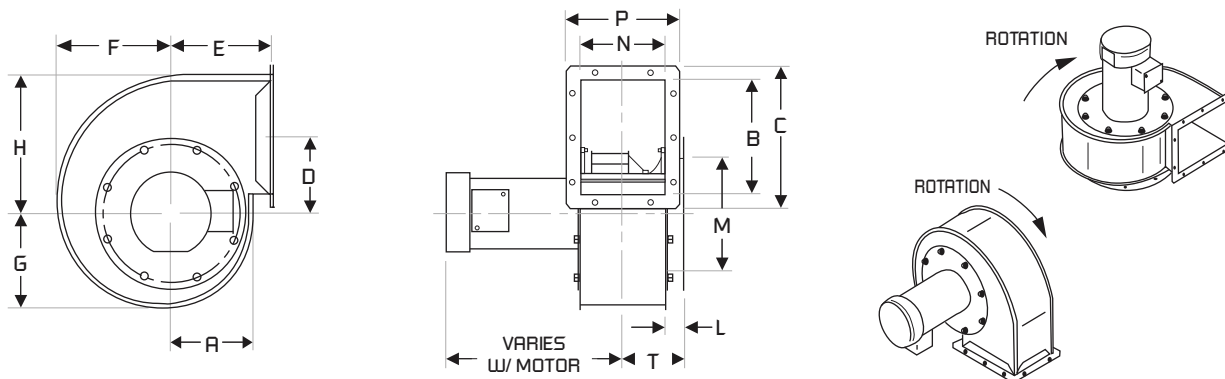


ACCESSORIES / OPTIONS

- Shaft seal
- Inlet filter
- Open or explosion proof motors
- Inlet guard
- Inlet flange
- CCW rotation

AIRFLOW PERFORMANCE (CFM) AT 1750 RPM																		
MODEL	MTR HP	dBA @5'	0" SP		0.5" SP		1" SP		1.5" SP		2" SP		2.5" SP		3" SP		3.5" SP	
			CFM	BHP	CFM	BHP	CFM	BHP	CFM	BHP	CFM	BHP	CFM	BHP	CFM	BHP	CFM	BHP
TFD250	1/4	58	840	0.1	670	0.1	440	0.1										
TFD280	1/4	62	1130	0.2	1030	0.2	770	0.2	350	0.2								
TFD315	1/2	67	1650	0.3	1480	0.3	1290	0.3	1010	0.3	570	0.3						
TFD355	3/4	72	2320	0.6	2110	0.6	1900	0.7	1630	0.6	1300	0.6	720	0.6				
TFD400	1-1/2	73	3070	1.2	2880	1.2	2650	1.2	2410	1.2	2140	1.2	1790	1.2	1240	1.2		
TFD450	2	74	4490	1.8	4320	1.8	4080	1.8	3780	1.8	3460	1.8	3080	1.8	2660	1.8	2160	1.7

AIRFLOW PERFORMANCE (CFM) AT 3450 RPM																		
MODEL	MTR HP	dBA @5'	0" SP		1" SP		2" SP		3" SP		4" SP		5" SP		6" SP		7" SP	
			CFM	BHP	CFM	BHP	CFM	BHP	CFM	BHP	CFM	BHP	CFM	BHP	CFM	BHP	CFM	BHP
TFD200	1/4	68	870	0.2	700	0.2	500	0.2	275	0.2								
TFD225	1/2	73	1060	0.4	950	0.4	780	0.4	580	0.4								
TFD250	3/4	75	1625	0.6	1520	0.7	1320	0.7	1110	0.7	870	0.6	440	0.5				
TFD280	1-1/2	77	2220	1.4	2170	1.4	2000	1.4	1760	1.4	1480	1.4	1150	1.3	560	1.1		
TFD315	3	82	3330	2.5	3160	2.5	2960	2.5	2740	2.6	2500	2.6	2230	2.6	1910	2.5	1480	2.3



DIMENSIONS IN INCHES*														
MODEL	A	B	C	D	E	F	G	H	L	M	N	P	T	
TFD200	5.4	6.9	9.5	4.9	6.8	7.3	6.1	8.8	1.6	7.0	5.2	7.7	4.3	
TFD225	6.0	7.7	10.2	5.6	7.5	8.2	6.8	9.9	1.6	8.0	5.9	8.5	4.7	
TFD250	6.6	8.7	11.0	6.1	8.2	9.0	7.5	10.9	1.7	9.0	6.9	9.3	5.2	
TFD280	7.4	10.1	12.6	6.8	8.9	10.1	8.4	12.2	1.7	10.0	7.5	10.0	5.5	
TFD315	8.2	11.7	14.2	7.5	9.8	11.3	9.3	13.7	2.2	12.0	8.3	10.8	6.4	
TFD355	9.2	13.3	15.8	8.4	10.7	12.7	10.5	15.4	2.2	14.0	9.3	11.8	6.9	
TFD400	10.4	15.1	18.3	9.2	11.8	14.1	11.8	17.1	2.2	16.0	10.4	13.8	7.5	
TFD450	11.7	16.8	20.1	10.6	13.2	15.9	13.1	19.3	2.2	18.0	11.5	15.0	8.1	

*DO NOT USE FOR CONSTRUCTION

CONSULT FACTORY FOR CERTIFIED PRINTS

CENTRIFUGAL FANS & BLOWERS

TCC MOTORIZED BLOWERS

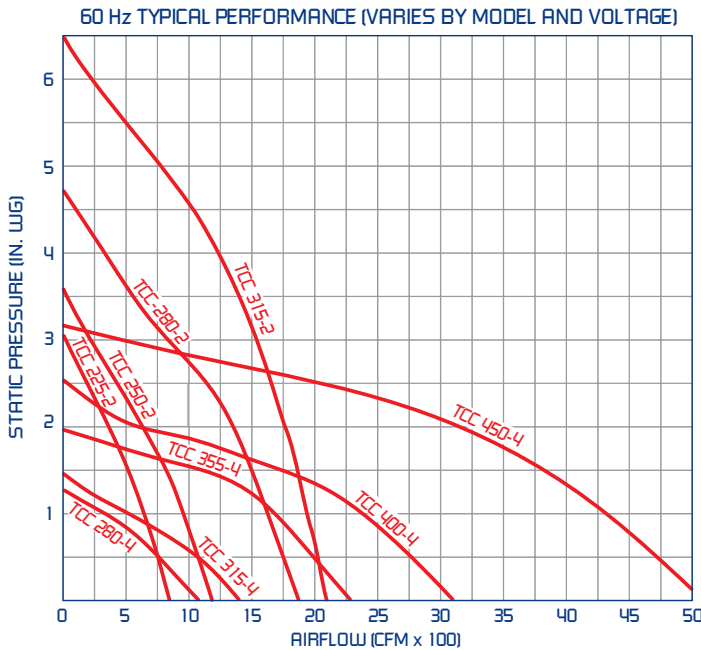
FEATURES & BENEFITS

- Speed controllable external rotor motor
- High efficiency BC airfoil polyamide impeller
- Epoxy coated steel housing
- Flanged and drilled outlet, ABS inlet cone
- Available in single or three phase voltages
- Capacities: 500 cfm to 5,000 cfm
- cULus and CE approved motor



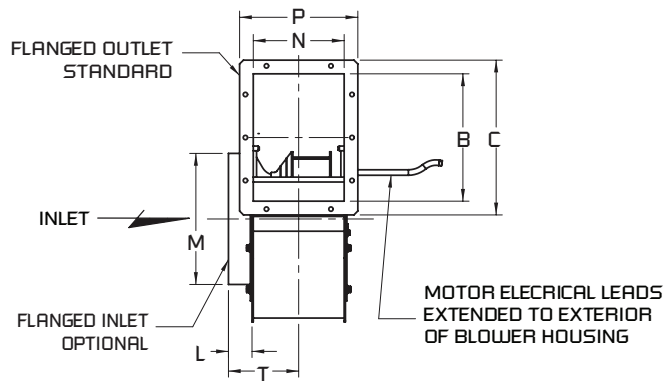
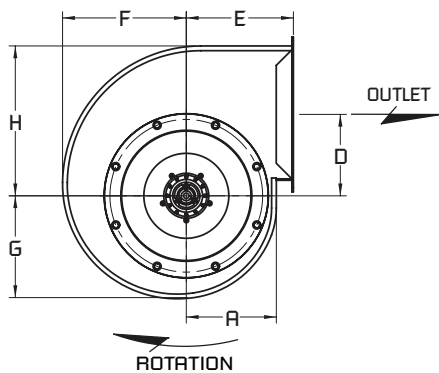
ACCESSORIES / OPTIONS

- Inlet flange
- Blower damper
- Aluminum shaft seal
- Weather hood



115V						60 Hz PERFORMANCE		
PART NUMBER	MOTOR	CFM	RPM	WATTS	AMPS	TEMP RANGE MIN	TEMP RANGE MAX	CAPACITOR
TCC225-2-11	ED080	830	2780	410	3.0	-22	131	20 x 400V
TCC250-2-11	ED106	1190	2810	610	4.9	-22	104	40 x 400V
TCC280-2-11	ED106	1760	3010	1200	10.2	-22	104	60 x 400V
TCC280-4-11	ED080	1070	1520	180	1.6	-22	158	12 x 400V
TCC315-2-11	ED137	2020	3250	2420	19.4	-22	104	140 x 400V
TCC315-4-11	ED080	1400	1450	290	2.6	-22	104	16 x 400V
TCC355-4-11	ED106	2280	1610	600	5.4	-22	122	40 x 400V
TCC400-4-11	ED106	3090	1350	800	7.0	-22	140	50 x 400V
TCC450-4-11	ED137	5060	1510	1700	15.2	-22	122	100 x 400V
230V						60 Hz PERFORMANCE		
TCC225-2-12	ED080	830	2780	410	1.5	-22	131	6 x 400V
TCC250-2-12	ED106	1190	2810	610	2.5	-22	104	10 x 400V
TCC280-2-12	ED106	1760	3010	1200	5.1	-22	104	16 x 400V
TCC280-4-12	ED080	1070	1520	180	0.8	-22	158	3 x 400V
TCC315-2-12	ED137	2120	3250	2420	9.7	-22	104	35 x 400V
TCC315-4-12	ED080	1400	1450	290	1.3	-22	104	4 x 400V
TCC355-4-12	ED106	2280	1610	600	2.7	-22	122	10 x 400V
TCC400-4-12	ED106	3090	1350	800	3.5	-22	140	12 x 400V
TCC450-4-12	ED137	5060	1510	1700	7.6	-22	122	25 x 400V

FOR 3 PHASE MODELS AND 50 Hz OPERATION - CONSULT FACTORY.



MODEL	DIMENSIONS IN INCHES*												
	A	B	C	D	E	F	G	H	L	M	N	P	T
TCC225	6.0	7.7	10.2	5.6	7.5	8.2	6.8	9.9	1.8	8	5.9	8.5	5.0
TCC250	6.6	8.7	11.0	6.1	8.2	9.0	7.5	10.9	1.9	9	6.9	9.3	5.5
TCC280	7.4	10.1	12.6	6.8	8.9	10.1	8.4	12.2	1.9	10	7.5	10.0	5.7
TCC315	8.3	11.7	14.2	7.5	9.8	11.3	9.4	13.7	2.4	12	8.3	10.8	6.7
TCC355	9.2	13.3	15.8	8.4	10.7	12.7	10.5	15.4	2.4	14	9.3	11.8	7.2
TCC400	10.4	15.1	18.3	9.3	11.8	14.1	11.8	17.2	2.4	16	10.4	13.8	7.9
TCC450	11.7	16.8	20.1	10.6	13.2	15.9	13.1	19.3	2.5	18	11.5	15.0	8.3

*DO NOT USE FOR CONSTRUCTION

CONSULT FACTORY FOR CERTIFIED PRINTS

CENTRIFUGAL FANS & BLOWERS

KRD RADIAL BLADE BLOWERS

FEATURES & BENEFITS

- Welded 16-gauge steel housing and motor base
- Dynamically balanced cast aluminum wheels
- Self cleaning wheel designed for efficient operation
- Baked polyester powder coat finish
- Single or three phase TEFC motors; also available without motor
- Explosion proof motors available - consult factory
- Standard discharge: CW bottom horizontal; rotatable to 8 positions
- Field adjustable rotation and discharge
- Capacities to 3,307 cfm



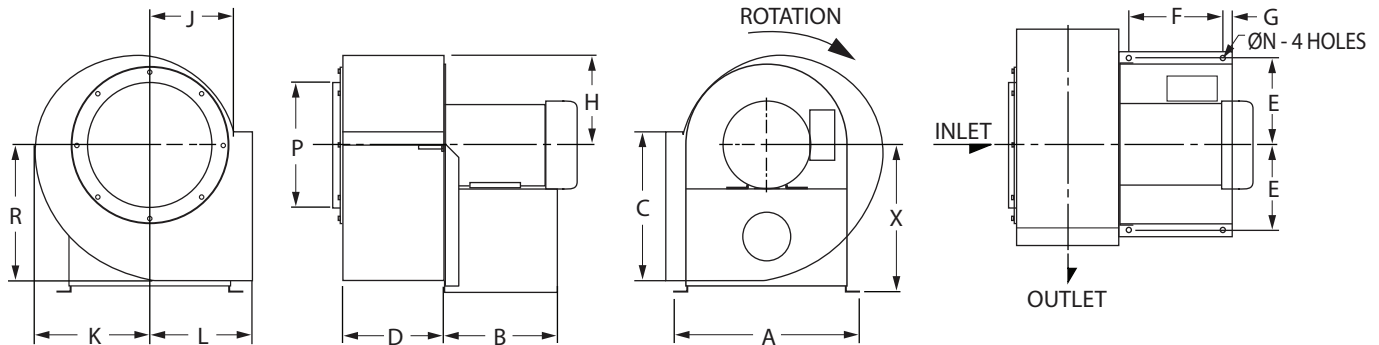
APPLICATIONS

- Small exhaust systems where air is laden with dust or grit
- Suitable for air containing dirt, lint or foreign material, as wheel is self cleaning

ACCESSORIES / OPTIONS

- Weather proof motor cover
- Inlet & discharge screens
- Discharge dampers
- Custom coatings
- Inlet & discharge flanges
- Factory mounted motors
- Spark resistant construction

MODEL	MTR HP	dBA @ 5'	AIRFLOW PERFORMANCE (CFM) AT 1750 RPM											
			0.125" SP	0.25" SP	0.375" SP	0.50" SP	0.625" SP	0.75" SP	1" SP	1.25" SP	1.50" SP	1.75" SP	2" SP	2.25" SP
KRD-08	1/4	64	493	448	396	334	250	93	-	-	-	-	-	-
KRD-09	1/4	69	848	788	724	655	572	462	-	-	-	-	-	-
KRD-11	3/4	75	1524	1457	1386	1309	1225	1134	916	617	97	-	-	-
KRD-12	1-1/2	79	2400	2331	2257	2179	2096	2007	1807	1564	1252	812	166	-
KRD-14	2	81	3307	3221	3134	3046	2956	2863	2664	2438	2164	1786	1181	666



MODEL	DIMENSIONS IN INCHES*																		WT (LBS) LESS MTR
	WHEEL SIZE	BORE SIZE	MTR FRAME	A	B	C	D	E	F	G	H	J	K	L	N	P	R	X	
KRD-08	7-3/4 x 4	5/8	56	11.0	8.0	8.3	5.4	5.0	7.0	0.5	6.0	4.6	6.8	6.9	0.4	8.0	8.0	8.5	35
KRD-09	9 x 5	5/8	56	12.1	8.0	10.8	6.5	5.6	7.0	0.5	6.8	5.6	7.8	7.1	0.4	9.0	9.3	9.4	45
KRD-11	10-7/8 x 5-5/8	5/8	56	14.8	9.0	11.8	8.0	6.9	7.5	0.8	8.0	6.8	9.1	8.1	0.4	10.0	10.8	11.8	65
KRD-12	12-1/2 x 7-1/2	7/8	145T	16.4	10.5	13.3	9.6	7.4	8.8	0.9	10.1	8.5	11.5	10.5	0.6	13.3	13.3	17.0	95
KRD-14	13-1/2 x 8-1/8	7/8	145T	17.6	10.5	14.6	10.8	8.0	8.8	0.9	11.1	9.4	12.6	11.4	0.6	14.5	14.6	17.0	120

*DO NOT USE FOR CONSTRUCTION

CONSULT FACTORY FOR CERTIFIED PRINTS

PRD RADIAL BLADE PRESSURE BLOWERS

FEATURES & BENEFITS

- Welded 16-gauge steel housing and motor base
- Dynamically balanced cast aluminum wheel
- Self cleaning wheel designed for efficient operation
- Baked polyester powder coat finish
- Single or three phase TEFC motors; also available without motor
- Explosion proof motors available - consult factory
- Standard discharge: CW bottom horizontal; rotatable to 8 positions
- Field adjustable rotation and discharge
- Capacities to 2,100 cfm



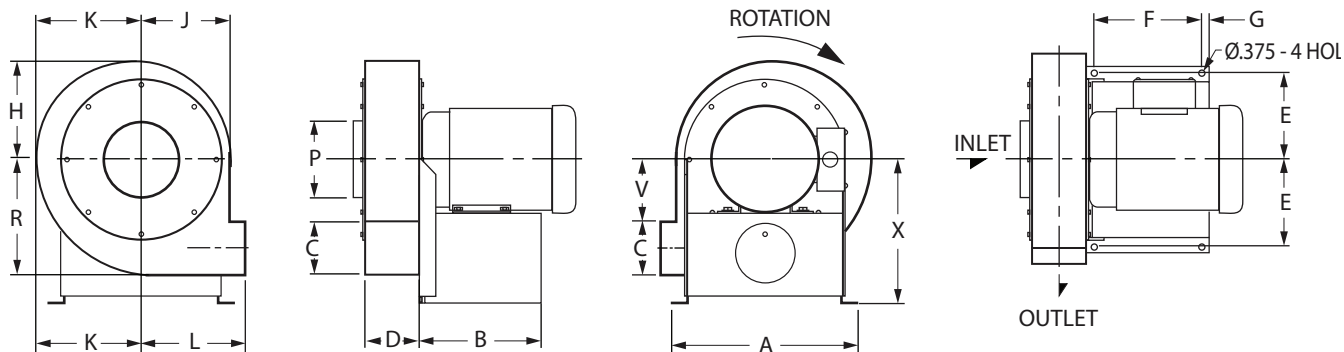
APPLICATIONS

- Small exhaust systems where air is laden with dust or grit
- Supplying high pressure air for conveying and cooling

ACCESSORIES / OPTIONS

- Weather proof motor cover
- Custom coatings
- Factory mounted motors
- Inlet & discharge screens
- Inlet & discharge flanges
- Spark resistant construction

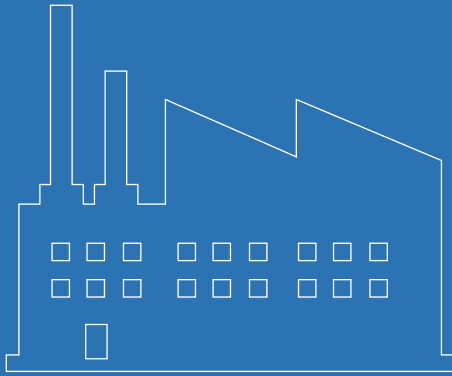
MODEL	MTR HP	dBA @ 5'	AIRFLOW PERFORMANCE (CFM) AT 3500 RPM																
			0.25" SP	0.50" SP	1" SP	1.50" SP	2" SP	2.50" SP	3" SP	3.50" SP	4" SP	5" SP	6" SP	7" SP	8" SP	9" SP	10" SP	11" SP	12" SP
PRD-08	1/3	74	283	274	256	237	216	192	165	129	70	-	-	-	-	-	-	-	-
PRD-09	3/4	77	475	465	445	423	399	374	346	316	282	195	-	-	-	-	-	-	-
PRD-11	1-1/2	84	786	772	746	719	692	664	635	606	575	508	431	329	-	-	-	-	-
PRD-12	3	90	1185	1171	1145	1117	1090	1062	1033	1004	974	911	842	765	672	549	-	-	-
PRD-14	7-1/2	92	2100	2079	2037	1995	1952	1909	1866	1822	1777	1685	1587	1482	1367	1236	1081	874	474



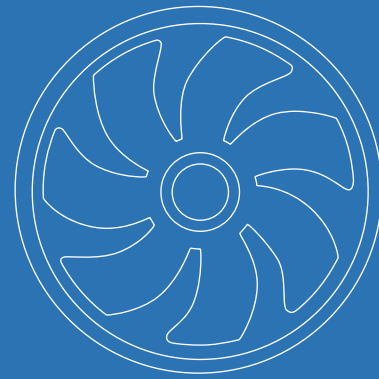
MODEL	DIMENSIONS IN INCHES*																		WT (LBS) LESS MTR
	WHEEL SIZE	BORE SIZE	MTR FRAME	A	B	C	D	E	F	G	H	J	K	L	P	R	V	X	
PRD-08	7-3/4 x 2-1/4	5/8	56	11.0	8.0	3.0	3.0	5.0	7.0	0.5	5.4	4.9	5.9	5.9	4.0	6.6	3.6	8.5	35
PRD-09	9 x 2-3/4	5/8	56	12.1	8.0	3.5	3.5	5.6	7.0	0.5	6.4	5.8	6.9	6.8	5.0	7.5	4.0	9.4	40
PRD-11	10-5/8 x 3	5/8	56	14.8	9.0	4.0	3.5	6.9	7.5	0.8	7.3	6.5	8.0	7.6	6.0	8.6	4.6	11.8	55
PRD-12	12-1/2 x 3	7/8	145T	17.0	8.0	5.0	4.0	8.0	6.5	0.8	8.3	7.5	9.0	9.6	7.0	10.0	5.0	10.6	85
PRD-14	13-1/2 x 4-3/8	1-1/8	184T	17.6	11.3	7.1	5.8	8.0	9.6	1.0	10.5	9.6	11.4	11.0	8.0	11.5	4.4	12.6	140

*DO NOT USE FOR CONSTRUCTION

CONSULT FACTORY FOR CERTIFIED PRINTS



***Industrial Fans
& Blowers***



***OEM Solutions
& Custom Fans***



***Commercial Fans
& Dampers***



***Residential Fans &
Air Purifiers***



OEM Solutions & Custom Fans

Continental Fan Manufacturing Inc.
Buffalo, NY ~ Dayton, OH

Continental Fan Canada Inc.
Mississauga, Ontario

continentalfan.com
1-800-779-4021

Distributed by:



OEM-CAT-2109