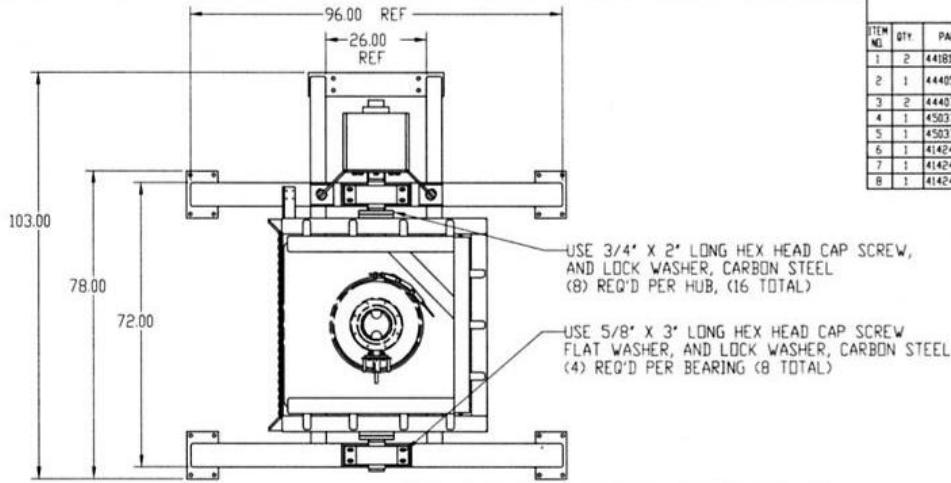
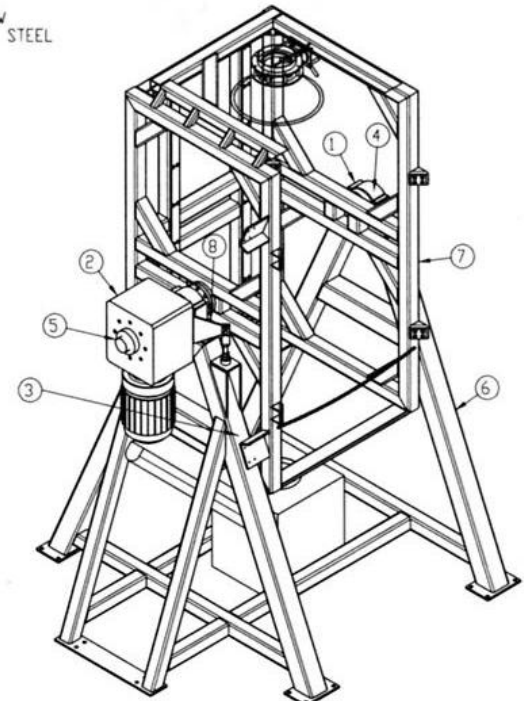
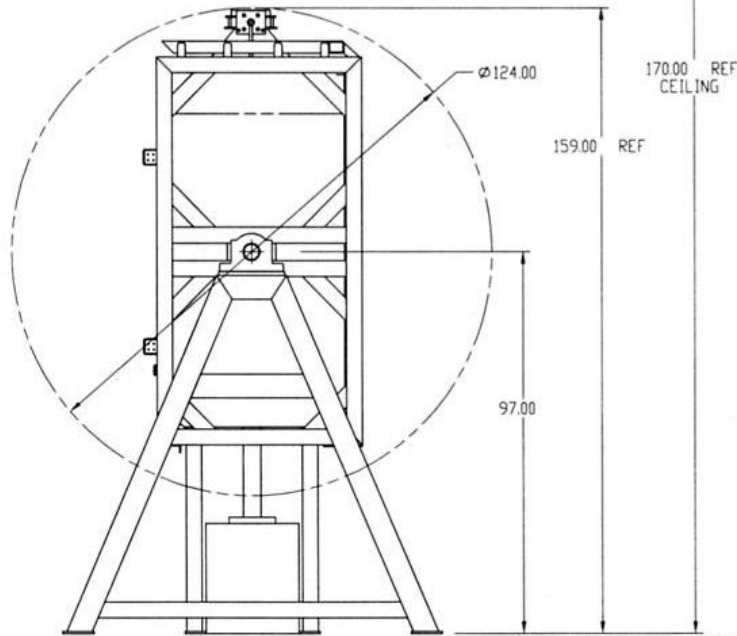
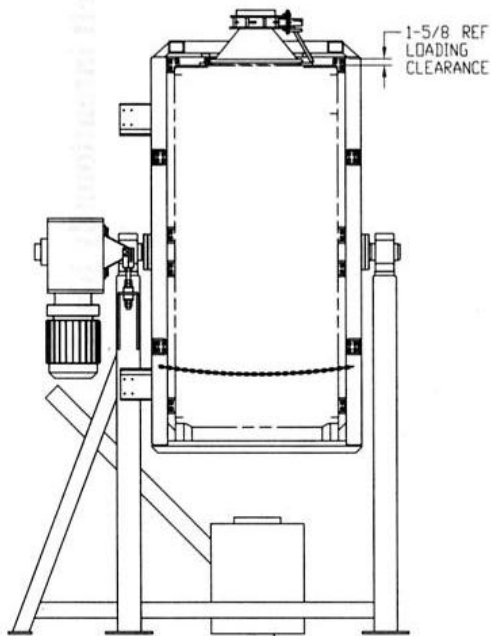


NOTES:

- I. QUALITY: INDUSTRIAL
- II. INVERTER OPERATES W/BIN 318669 ONLY
(5,000 lb MAX PRODUCT CAPACITY)
(5,750 lb MAX TOTAL CAPACITY)
- III. MATERIALS: CARBON STEEL
- IV. FINISHING:
 - A. ALL BURRS AND SHARP EDGES REMOVED
 - B. ALL WELDS CONTINUOUS, AS LAID, MECHANICALLY CLEANED
 - C. ALL SURFACES FREE OF PITS, CRACKS OR CREVICES (BY VISUAL INSPECTION ONLY)
- V. GENERAL:
 - A. 1 HP BRAKE MOTOR
 - B. 3 PHASE, 60 CYCLE, 208 VAC
 - C. PRIME & PAINT FIXED PARTS TOTE BLUE ENAMEL
 - D. PRIME & PAINT MOVING PARTS YELLOW ENAMEL
 - E. OPERATOR CONTROL PANEL WILL BE MOUNTED BY CUSTOMER REMOTELY IN A SAFE AREA
 - F. ROTATING SPEED = 0.7 RPM (APPROX 20 SECONDS TO INVERT)
- VI. OPERATOR CONTROLS TO INCLUDE:
 - A. 3 POSITION SWITCH MOMENTARY W/ CENTER OFF
- VII. CUSTOMER SUPPLIED REQUIREMENTS:
 - A. 208 VAC, 20 AMP, 3 PHASE
 - B. 120 VAC, 1 AMP, 1 PHASE
 - C. INSTALLATION
 - D. GUARD TO RESTRICT ACCESS DURING OPERATION



BILL OF MATERIAL				
ITEM NO.	QTY.	PART NUMBER	MATERIAL	DESCRIPTION
1	2	441816	PURCH	BEARING-PILLOW BLOCK, DODGE, 042024, SAF-X1-4 BOLT BASE-3 15/16 BORE
2	1	444059	PURCH	GEARMOTOR, SUMITOMO, LHYM-DH-2E17DA-Y-1A-B-25591, 208 VAC, 3 15/16 BUSHING BORE
3	2	444072	PURCH	SENSOR-PROXIMITY SWITCH, PEPPERL+FUCHS, NJ15-U1-W4
4	1	450373-10	NOTED	INVERTER SHAFT WELDMENT, 10 LONG
5	1	450373-30	NOTED	INVERTER SHAFT WELDMENT, 10 LONG
6	1	414241A1	NOTED	BASE FRAME WELDMENT
7	1	414241A2	NOTED	CRABLE ASSEMBLY
8	1	414241A4	NOTED	TORQUE ARM ASSY



C	CB	12-10-04	ADDED BALLBOOLS
B	JBP	12/3/04	REVISED FOR MANUFACTURING DRAWINGS
A	JBP	11/12/04	APPROVAL DRAWING REVISION

REV.	BY	DATE	DESCRIPTION
	JBP	10/25/04	180" INVERTER

ALL DIMS IN INCHES UNLESS OTHERWISE NOTED Fractions 1/16 Linear Tol XXX .010 XXXX .005 Fabricated Features Part and Part Surfaces Within 1/16 Dia's Concentric to 1/16 Angles 12° Fab Surfaces per Notes	Finish Sharp Edges .005 R MAX Milled Features Part and Part Surfaces Within .010 Dia's Concentric to .010 Angles 30°/30° Milled Surfaces 125/	Drawn By JBP Checked By App'd By Date 11/23/04 Scale 1/32 Size B	Description Customer GLOBAL FOODS 4001 TAFT AVENUE ST. LOUIS, MO 63116	P. D. No 4093 Job No 4-60053 Drawing No 414241 Equipment INVERTER
----------------------------------------------------------------------------------------------------------------------------------------------------------------------------------------------------------------------------------	--------------------------------------------------------------------------------------------------------------------------------------------------------------	---------------------------------------------------------------------------------	---------------------------------------------------------------------------------	----------------------------------------------------------------------------

THIS DOCUMENT REMAINS PROPERTY OF TOTE SYSTEMS INTERNATIONAL AND IS SUBJECT TO RETURN UPON DEMAND. NET TO BE COPIED OR REPRODUCED IN ANY FORM WITHOUT WRITTEN CONSENT.

