



SST SERIES

Stainless Steel

INDUSTRIAL EVAPORATORS

Stainless Steel



**STAINLESS STEEL COIL
ENGINEERING MANUAL**

Stainless Steel



IARW International Association of Refrigerated Warehouses

Member of
iiar
International Institute of Ammonia Refrigeration
www.iiar.org



STAINLESS STEEL

E V A P O R A T O R S

PRODUCT FEATURES

SST Evaporators are available in four models each having a wide range of capacities and material options.

SSTM UNIT COOLERS

Designed for low, medium and high temperature applications. These models feature axial fans and many end user oriented features such as:

- One to Five Fan Models
- Capacities from 1.5 to 56 TR
- Hinged Fan Panels
- Sloped Top Panels
- Dual Sloped Full Coverage Drain Pans



SSTL PRODUCT COOLERS

Designed for larger industrial product cooling in low, medium and high temperature applications. These models utilize axial fans and have many advanced features such as:

- One to Four Fan Models
- Capacities from 7.5 to 86 TR
- Sloped Top Panels
- Cast Aluminum Fans
- Dual Sloped Drain Pans



SSTW WORKROOM UNITS

Low velocity air units for processing rooms. These models feature axial fans and many end user oriented features.

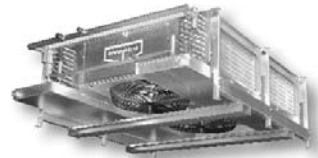
- One to Five Fan Models
- Capacities from 2 to 27 TR
- Hinged Access Panels
- Sloped Top Panels
- Dual Sloped Full Coverage Drain Pans



SSTD LOW PROFILE UNIT COOLERS

Dual coil models for low, medium and high temperature applications in rooms with low ceiling height requirements.

- One to Five Fan Models
- Capacities from 3 to 33 TR
- Hinged Fan Panels
- Dual Sloped Full Coverage Drain Pans



MATERIALS OF CONSTRUCTION

STAINLESS STEEL COILS

SST Evaporators are equipped as standard with Type 304L Stainless Steel tubing with Aluminum fins. The stainless steel tubing meets the requirements of ASME B31.5 refrigerant piping code.

The round tubing is fit into the Aluminum fin plate and hydraulically expanded. This procedure provides more consistent contact between the tube and the fin plate than mechanical expansion. The entire coil is then pressure tested to 400 psig. Lastly, the coil is evacuated and charged with low pressure Nitrogen prior to shipment.

The Stainless Steel tubes are available in 5/8" OD on SSTM, SSTW and SSTD models, and 1.05" OD on SSTL models. Coils are built in 3, 4 and 6 fpi as standard. Variable fin spacing is available as an option.

CASING

SSTM and SSTL Evaporators

Standard construction of the casing and drain pan is G-235 Hot Dip Galvanized Steel with options for Type 304 Stainless Steel.

SSTW Evaporators

Workroom units are manufactured with Type 304 Stainless Steel casing panels and pan cover. The fan motor base, inner pan and shipping/installation supports are constructed from G-235 Hot Dip Galvanized Steel with options for Type 304 Stainless Steel.

SSTD Evaporators

Standard construction of the casing and drain pan is G-235 Hot Dip Galvanized Steel with options for Type 304 Stainless Steel.

OPTIONS

- Heavy Fin
- Defrost
 - Air
 - Hot Gas
 - Electric
 - Water
- Air Discharge Arrangements
 - Long Throw Adapters
 - 45° or 90° Downblow
- Alternate Materials of Construction
 - Stainless Steel Casing
 - Stainless Steel Inner and/or Outer Pan
 - Fully Welded Drain Pan

PERFORMANCE FACTORS

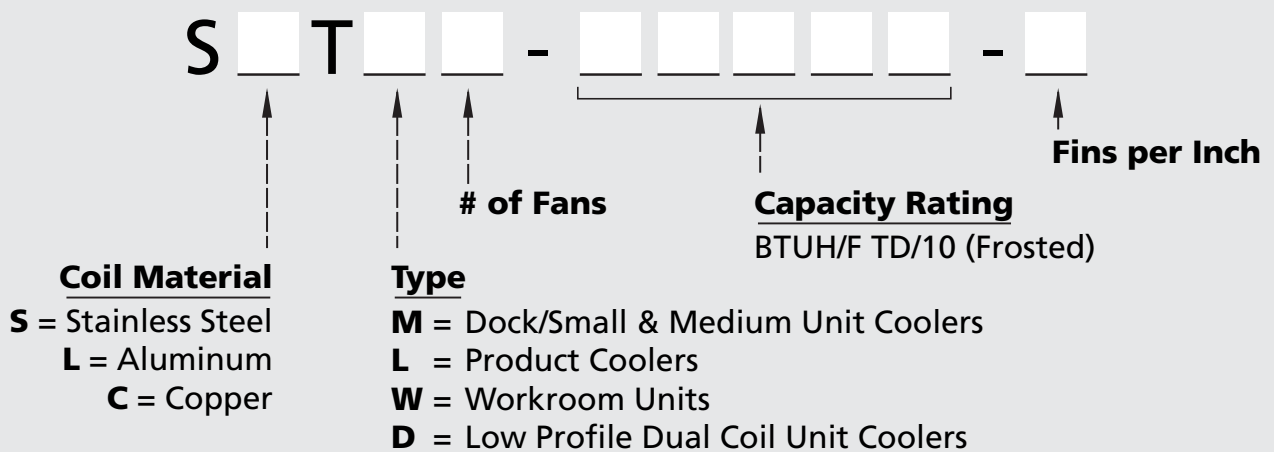
The capacity of SST Evaporators is based on R717 refrigerant with either recirculated or flooded feed. The heat rejection capacity of SST Evaporators must be adjusted for different refrigerants and feed conditions. Multiply the factors listed in the table below by the coil performance to obtain the new performance rating for the specific application. The factors vary based on refrigerant and coil temperature.

| REFRIGERANT - FEED | SUCTION TEMPERATURE | | | | | | | | |
|-------------------------------------|---------------------|------|------|------|------|-----------------|------|------|------|
| | +40 | +30 | +20 | +10 | 0 | -10 | -20 | -30 | -40 |
| R717 - DX | 0.81 | 0.81 | 0.80 | 0.80 | 0.80 | NOT RECOMMENDED | | | |
| R22 - Recirculated & Flooded | 0.95 | 0.95 | 0.95 | 0.93 | 0.92 | 0.91 | 0.90 | 0.88 | 0.87 |
| R22 -DX | 0.79 | 0.79 | 0.79 | 0.79 | 0.78 | 0.77 | 0.74 | 0.70 | 0.63 |
| R404A/R507 - Recirculated & Flooded | 1.00 | 1.00 | 1.00 | 1.00 | 1.00 | 1.00 | 1.00 | 1.00 | 1.00 |
| R404A/R507 - DX | 0.83 | 0.83 | 0.83 | 0.83 | 0.82 | 0.81 | 0.78 | 0.74 | 0.66 |
| R134a | CONSULT FACTORY | | | | | | | | |

EVAPCO does not recommend direct expansion applications for R717 below 0°F suction temperature.

NOMENCLATURE

The model number of ST Series Evaporators includes information about the product design and capacity. This Engineering Manual includes performance and technical data for SST Evaporators which are constructed with Stainless Steel coils and Aluminum Fins as standard.





EVAPORATORS STAINLESS STEEL

Engineering Data

SSTM UNIT COOLERS — 1 FAN MODELS

Table with columns for Model No., ESP types (0", 1/4", 1/2"), Fan Data, Coil Data, Height, Shipping, and Electric Defrost (KW). It contains 100 rows of technical specifications.

* Capacity based on R717 refrigerant with either recirculated or flooded feed.
† Sound ratings are based on 6 feet from the unit and under free field conditions.



EVAPORATORS

STAINLESS STEEL

Engineering Data

SSTM UNIT COOLERS — 3 FAN MODELS

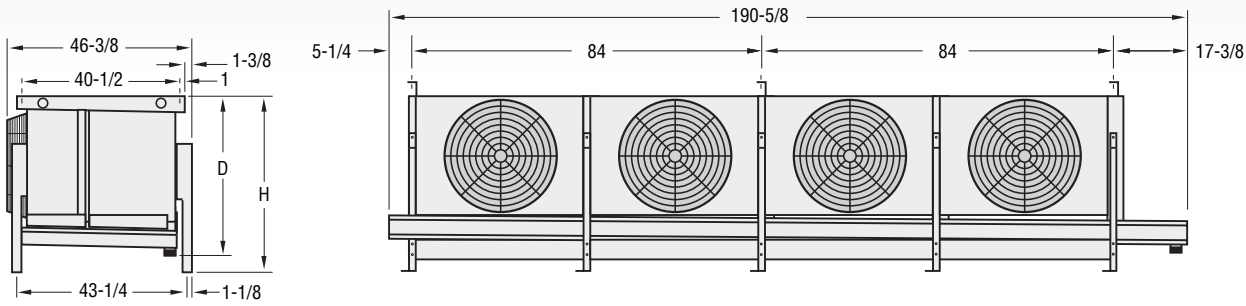
| Model No. | 0" ESP | | | 1/4" ESP | | | 1/2" ESP | | | Fan Data | | | | Coil Data | | Height | | Shipping Wt. (lbs.) | Electric Defrost (KW) | | | | | | | | | | | | | |
|---------------|-----------|---------|------------------|-------------------|-----------|-------|------------------|-------------------|-----------|----------|------------------|-------------------|----------|-----------|------|-----------------|-------------|------------------------|-----------------------|-------|------|-------|------|----------------------|------|-----------------------|--------------------|-----------------|---|---|-----------------------|--------------------|
| | Capacity* | | Airflow (CFM) | Velocity (FPM) | Capacity* | | Airflow (CFM) | Velocity (FPM) | Capacity* | | Airflow (CFM) | Velocity (FPM) | Fan Data | | Rows | Volume (ft³) | Height | | Room Temp | | | | | | | | | | | | | |
| | Wet | Frosted | | | Frosted | (CFM) | | | (FPM) | Frosted | | | (CFM) | (FPM) | | | Motor Hp | | RPM | Dia. | dBA† | Deep | fpi | Dimension (in.) D | H | >or=-20°F <or=+5°F | >+5°F <or=+33°F | >+33°F | | | | |
| | | | | | | | | | | | | | | | | | | | | | | Motor | RPM | Dia. | dBA† | Rows | fpi | Dimension (in.) | D | H | >or=-20°F <or=+5°F | >+5°F <or=+33°F |
| SSTM3-01574-3 | - | 15736 | 30822 | 978 | 14400 | 26665 | 847 | 12719 | 22020 | 699 | 2 | 1160 | 30 | 84 | 6 | 3 | 2.3 | 52-7/8 | 55-1/2 | 1408 | 40.1 | 28.9 | 26.2 | | | | | | | | | |
| SSTM3-01588-3 | 17226 | 15876 | 19496 | 464 | 12760 | 14723 | 351 | - | - | - | 1/2 | 870 | 30 | 76 | 8 | 3 | 4.1 | 64-7/8 | 67-1/2 | 1719 | 55.1 | 40.1 | 37.4 | | | | | | | | | |
| SSTM3-01629-4 | 17438 | 16297 | 15550 | 555 | 13091 | 11727 | 419 | - | - | - | 1/2 | 870 | 30 | 76 | 10 | 4 | 3.4 | 50-1/8 | 52-3/4 | 1633 | 43.9 | 32.6 | 29.9 | | | | | | | | | |
| SSTM3-01631-6 | 18189 | 16313 | 24385 | 581 | 14370 | 19709 | 469 | - | - | - | 3/4 | 870 | 30 | 77 | 4 | 6 | 2.1 | 64-7/8 | 67-1/2 | 1534 | 43.9 | 36.4 | 33.7 | | | | | | | | | |
| SSTM3-01644-4 | - | 16438 | 19272 | 688 | 13435 | 14721 | 526 | 8710 | 10712 | 383 | 3/4 | 870 | 30 | 77 | 8 | 4 | 2.8 | 50-1/8 | 52-3/4 | 1487 | 40.1 | 28.9 | 26.2 | | | | | | | | | |
| SSTM3-01651-3 | - | 16506 | 25058 | 895 | 14885 | 21448 | 766 | 12950 | 17533 | 626 | 1-1/2 | 1160 | 30 | 83 | 8 | 3 | 2.8 | 50-1/8 | 52-3/4 | 1411 | 40.1 | 28.9 | 26.2 | | | | | | | | | |
| SSTM3-01651-4 | - | 16508 | 26120 | 933 | 14911 | 22304 | 797 | 12947 | 18186 | 649 | 1-1/2 | 1160 | 30 | 83 | 6 | 4 | 2.1 | 50-1/8 | 52-3/4 | 1349 | 36.4 | 25.2 | 22.4 | | | | | | | | | |
| SSTM3-01678-6 | 18710 | 16781 | 25438 | 606 | 14571 | 20391 | 485 | - | - | - | 1 | 870 | 30 | 77 | 4 | 6 | 2.1 | 64-7/8 | 67-1/2 | 1534 | 43.9 | 36.4 | 33.7 | | | | | | | | | |
| SSTM3-01682-4 | - | 16823 | 19708 | 704 | 13816 | 15151 | 541 | 11653 | 11795 | 421 | 1 | 870 | 30 | 77 | 8 | 4 | 2.8 | 50-1/8 | 52-3/4 | 1486 | 40.1 | 28.9 | 26.2 | | | | | | | | | |
| SSTM3-01699-4 | - | 16993 | 20252 | 723 | 15289 | 17696 | 632 | 13472 | 14670 | 524 | 1 | 1160 | 30 | 84 | 8 | 4 | 2.8 | 50-1/8 | 52-3/4 | 1462 | 40.1 | 28.9 | 26.2 | | | | | | | | | |
| SSTM3-01708-3 | - | 17079 | 35201 | 1117 | 16293 | 32435 | 1030 | 14885 | 28059 | 891 | 3 | 1160 | 30 | 84 | 6 | 3 | 2.3 | 52-7/8 | 55-1/2 | 1484 | 40.1 | 28.9 | 26.2 | | | | | | | | | |
| SSTM3-01724-3 | - | 17244 | 26797 | 957 | 15696 | 23220 | 829 | 13998 | 19677 | 703 | 2 | 1160 | 30 | 84 | 8 | 3 | 2.8 | 50-1/8 | 52-3/4 | 1481 | 40.1 | 28.9 | 26.2 | | | | | | | | | |
| SSTM3-01728-4 | - | 17278 | 28012 | 1000 | 15725 | 24215 | 865 | 13887 | 20312 | 725 | 2 | 1160 | 30 | 84 | 6 | 4 | 2.1 | 50-1/8 | 52-3/4 | 1419 | 36.4 | 25.2 | 22.4 | | | | | | | | | |
| SSTM3-01777-4 | - | 17766 | 27412 | 870 | 16158 | 23679 | 752 | 14028 | 19200 | 610 | 1-1/2 | 1160 | 30 | 83 | 6 | 4 | 2.3 | 52-7/8 | 55-1/2 | 1402 | 40.1 | 28.9 | 26.2 | | | | | | | | | |
| SSTM3-01784-3 | - | 17841 | 26612 | 845 | 16111 | 22822 | 724 | 13962 | 18571 | 590 | 1-1/2 | 1160 | 30 | 83 | 8 | 3 | 3.1 | 52-7/8 | 55-1/2 | 1472 | 43.9 | 32.6 | 29.9 | | | | | | | | | |
| SSTM3-01795-4 | 19480 | 17954 | 19687 | 625 | 14700 | 15169 | 482 | - | - | - | 3/4 | 870 | 30 | 77 | 8 | 4 | 3.1 | 52-7/8 | 55-1/2 | 1557 | 43.9 | 32.6 | 29.9 | | | | | | | | | |
| SSTM3-01806-6 | 19605 | 18069 | 17500 | 625 | 14778 | 13562 | 484 | 12273 | 10280 | 367 | 3/4 | 870 | 30 | 77 | 8 | 6 | 2.8 | 50-1/8 | 52-3/4 | 1643 | 40.1 | 28.9 | 26.2 | | | | | | | | | |
| SSTM3-01813-4 | - | 18127 | 21057 | 668 | 15232 | 16324 | 518 | 9954 | 12195 | 387 | 1 | 870 | 30 | 77 | 8 | 4 | 3.1 | 52-7/8 | 55-1/2 | 1557 | 43.9 | 32.6 | 29.9 | | | | | | | | | |
| SSTM3-01827-4 | 19824 | 18271 | 19170 | 456 | - | - | - | - | - | - | 1/2 | 870 | 30 | 76 | 8 | 4 | 4.1 | 64-7/8 | 67-1/2 | 1834 | 55.1 | 40.1 | 37.4 | | | | | | | | | |
| SSTM3-01843-6 | 20278 | 18435 | 19304 | 460 | - | - | - | - | - | - | 1/2 | 870 | 30 | 76 | 6 | 6 | 3.1 | 64-7/8 | 67-1/2 | 1803 | 47.6 | 36.4 | 33.7 | | | | | | | | | |
| SSTM3-01854-3 | 20112 | 18537 | 24564 | 585 | 15884 | 19498 | 464 | - | - | - | 1 | 870 | 30 | 77 | 8 | 3 | 4.1 | 64-7/8 | 67-1/2 | 1715 | 55.1 | 40.1 | 37.4 | | | | | | | | | |
| SSTM3-01860-4 | 20457 | 18598 | 25037 | 596 | 15809 | 20106 | 479 | - | - | - | 1 | 870 | 30 | 77 | 6 | 4 | 3.1 | 64-7/8 | 67-1/2 | 1621 | 47.6 | 36.4 | 33.7 | | | | | | | | | |
| SSTM3-01865-3 | - | 18649 | 33291 | 793 | 17341 | 30317 | 722 | 15109 | 24727 | 589 | 2 | 1160 | 30 | 84 | 6 | 3 | 3.1 | 64-7/8 | 67-1/2 | 16061 | 47.6 | 36.4 | 33.7 | | | | | | | | | |
| SSTM3-01879-4 | - | 18785 | 29958 | 951 | 17076 | 25799 | 819 | 15347 | 21350 | 678 | 2 | 1160 | 30 | 84 | 6 | 4 | 2.3 | 52-7/8 | 55-1/2 | 1472 | 40.1 | 28.9 | 26.2 | | | | | | | | | |
| SSTM3-01883-3 | - | 18825 | 28743 | 912 | 17049 | 24811 | 788 | 15029 | 20679 | 656 | 2 | 1160 | 30 | 84 | 8 | 3 | 3.1 | 52-7/8 | 55-1/2 | 1543 | 43.9 | 32.6 | 29.9 | | | | | | | | | |
| SSTM3-01894-4 | - | 18936 | 32740 | 1169 | 17664 | 29175 | 1042 | 16133 | 25360 | 906 | 3 | 1160 | 30 | 84 | 6 | 4 | 2.1 | 50-1/8 | 52-3/4 | 1495 | 36.4 | 25.2 | 22.4 | | | | | | | | | |
| SSTM3-01903-3 | - | 19032 | 31216 | 1115 | 17667 | 27857 | 995 | 16179 | 24283 | 867 | 3 | 1160 | 30 | 84 | 8 | 3 | 2.8 | 50-1/8 | 52-3/4 | 1558 | 40.1 | 28.9 | 26.2 | | | | | | | | | |
| SSTM3-01910-4 | - | 19096 | 24073 | 860 | 17247 | 20648 | 737 | 15271 | 16999 | 607 | 1-1/2 | 1160 | 30 | 83 | 8 | 4 | 2.8 | 50-1/8 | 52-3/4 | 1487 | 40.1 | 28.9 | 26.2 | | | | | | | | | |
| SSTM3-01975-6 | 21437 | 19757 | 19300 | 613 | 16186 | 14605 | 464 | - | - | - | 3/4 | 870 | 30 | 77 | 8 | 6 | 3.1 | 52-7/8 | 55-1/2 | 1734 | 43.9 | 32.6 | 29.9 | | | | | | | | | |
| SSTM3-02006-4 | - | 20056 | 25714 | 918 | 18182 | 22320 | 797 | 16130 | 19080 | 681 | 2 | 1160 | 30 | 84 | 8 | 4 | 2.8 | 50-1/8 | 52-3/4 | 1558 | 40.1 | 28.9 | 26.2 | | | | | | | | | |
| SSTM3-02009-3 | - | 20088 | 38128 | 908 | 18985 | 35518 | 846 | 17793 | 32148 | 765 | 3 | 1160 | 30 | 84 | 6 | 3 | 3.1 | 64-7/8 | 67-1/2 | 1683 | 47.6 | 36.4 | 33.7 | | | | | | | | | |
| SSTM3-02050-4 | - | 20496 | 34390 | 1092 | 19084 | 31292 | 993 | 17627 | 27107 | 861 | 3 | 1160 | 30 | 84 | 6 | 4 | 2.3 | 52-7/8 | 55-1/2 | 1549 | 40.1 | 28.9 | 26.2 | | | | | | | | | |
| SSTM3-02072-3 | - | 20723 | 33418 | 1061 | 19304 | 29964 | 951 | 17610 | 26017 | 826 | 3 | 1160 | 30 | 84 | 8 | 3 | 3.1 | 52-7/8 | 55-1/2 | 1619 | 43.9 | 32.6 | 29.9 | | | | | | | | | |
| SSTM3-02083-4 | - | 20826 | 25793 | 819 | 18668 | 22034 | 699 | 16059 | 17973 | 571 | 1-1/2 | 1160 | 30 | 83 | 8 | 4 | 3.1 | 52-7/8 | 55-1/2 | 1558 | 43.9 | 32.6 | 29.9 | | | | | | | | | |
| SSTM3-02094-4 | 22716 | 20936 | 23052 | 549 | 17887 | 18344 | 437 | - | - | - | 3/4 | 870 | 30 | 77 | 8 | 4 | 4.1 | 64-7/8 | 67-1/2 | 1829 | 55.1 | 40.1 | 37.4 | | | | | | | | | |
| SSTM3-02099-3 | - | 20994 | 29422 | 701 | 19318 | 26061 | 621 | 16721 | 20930 | 498 | 1-1/2 | 1160 | 30 | 83 | 8 | 4 | 4.1 | 64-7/8 | 67-1/2 | 1716 | 55.1 | 40.1 | 37.4 | | | | | | | | | |
| SSTM3-02130-6 | 23436 | 21306 | 24217 | 577 | 18238 | 18953 | 451 | - | - | - | 1 | 870 | 30 | 77 | 6 | 6 | 3.1 | 64-7/8 | 67-1/2 | 1799 | 47.6 | 36.4 | 33.7 | | | | | | | | | |
| SSTM3-02159-4 | 23430 | 21595 | 24009 | 572 | 17999 | 18920 | 450 | - | - | - | 1 | 870 | 30 | 77 | 8 | 4 | 4.1 | 64-7/8 | 67-1/2 | 1829 | 55.1 | 40.1 | 37.4 | | | | | | | | | |
| SSTM3-02203-4 | - | 22033 | 29874 | 1067 | 20483 | 26695 | 953 | 18644 | 23307 | 832 | 3 | 1160 | 30 | 84 | 8 | 4 | 2.8 | 50-1/8 | 52-3/4 | 1634 | 40.1 | 28.9 | 26.2 | | | | | | | | | |
| SSTM3-02206-3 | - | 22057 | 36456 | 1157 | 20560 | 33061 | 1050 | 19149 | 29593 | 939 | 5 | 1160 | 30 | 87 | 8 | 3 | 3.1 | 52-7/8 | 55-1/2 | 1710 | 43.9 | 32.6 | 29.9 | | | | | | | | | |
| SSTM3-02252-3 | - | 22517 | 32089 | 764 | 20614 | 28615 | 681 | 18130 | 23459 | 559 | 2 | 1160 | 30 | 84 | 8 | 3 | 4.1 | 64-7/8 | 67-1/2 | 1786 | 55.1 | 40.1 | 37.4 | | | | | | | | | |
| SSTM3-02281-3 | - | 22812 | 47937 | 1141 | 21778 | 44470 | 1059 | 20440 | 39915 | 950 | 5 | 1160 | 34 | 90 | 6 | 3 | 3.1 | 64-7/8 | 67-1/2 | 1774 | 47.6 | 36.4 | 33.7 | | | | | | | | | |
| SSTM3-02322-6 | 25206 | 23231 | 22006 | 524 | 20086 | 17576 | 418 | - | - | - | 3/4 | 870 | 30 | 76 | 8 | 6 | 4.1 | 64-7/8 | 67-1/2 | 2064 | 55.1 | 40.1 | 37.4 | | | | | | | | | |
| SSTM3-02348-4 | 25130 | 23486 | 22117 | 527 | 19387 | 17324 | 412 | - | - | - | 3/4 | 870 | 30 | 77 | 10 | 4 | 5.2 | 64-7/8 | 67-1/2 | 2043 | 62.6 | 43.9 | 41.1 | | | | | | | | | |
| SSTM3-02420-4 | - | 24198 | 32281 | 1025 | 22393 | 28780 | 914 | 20319 | 25030 | 795 | 3 | 1160 | 30 | 84 | 8 | 4 | 3.1 | 52-7/8 | 55-1/2 | 1705 | 43.9 | 32.6 | 29.9 | | | | | | | | | |
| SSTM3-02436-4 | - | 24364 | 37626 | 896 | 23047 | 34935 | 832 | 21401 | 31252 | 744 | 3 | 1160 | 30 | 84 | 6 | 4 | 3.1 | 64-7/8 | 67-1/2 | 1769 | 47.6 | 36.4 | 33.7 | | | | | | | | | |
| SSTM3-02444-3 | - | 24442 | 36967 | 880 | 23288 | 34235 | 815 | 21410 | 30228 | 720 | 3 | 1160 | 30 | 84 | 8 | 3 | 4.1 | 64-7/8 | 67-1/2 | 1862 | 55.1 | 40.1 | 37.4 | | | | | | | | | |
| SSTM3-02464-4 | - | 24642 | 28889 | 688 | 22213 | 25329 | 603 | 19338 | 20396 | 486 | 1-1/2 | 1160 | 30 | 83 | 8 | 4 | 4.1 | 64-7/8 | 67-1/2 | 1830 | 55.1 | 40.1 | 37.4 | | | | | | | | | |
| SSTM3-02498-6 | 26735 | 24986 | 20917 | 498 | 21210 | 16677 | 397 | - | - | - | 3/4 | 870 | 30 | 77 | 10 | 6 | 5.2 | 64-7/8 | 67-1/2 | 2330 | 62.6 | 43.9 | 41.1 | | | | | | | | | |
| SSTM3-02553-4 | - | 25528 | 34987 | 1111 | 23912 | 31765 | 1008 | 22287 | 28568 | 907 | 5 | 1160 | 30 | 87 | 8 | 4 | 3.1 | 52-7/8 | 55-1/2 | 1796 | 43.9 | 32.6 | 29.9 | | | | | | | | | |
| SSTM3-02637-3 | - | 26374 | 42290 | 1007 | 25185 | 38682 | 921 | 23530 | 34251 | 816 | 5 | 1160 | 30 | 87 | 8 | 3 | 4.1 | 64-7/8 | 67-1/2 | 1954 | 55.1 | 40.1 | 37.4 | | | | | | | | | |
| SSTM3-02638-4 | - | 26382 | 43497 | 1036 | 25170 | 40108 | 955 | 23289 | 35428 | 844 | 5 | 1160 | 30 | 87 | 6 | 4 | 3.1 | 64-7/8 | 67-1/2 | 1860 | 47.6 | 36.4 | 33.7 | | | | | | | | | |
| SSTM3-02648-4 | - | 26483 | 31546 | 751 | 23889 | 27746 | 661 | 20765 | 22813 | 543 | 2 | 1160 | 30 | 84 | 8 | 4 | 4.1 | 64-7/8 | 67-1/2 | 1901 | 55.1 | 40.1 | 37.4 | | | | | | | | | |
| SSTM3-02732-4 | - | 27323 | 46930 | 1117 | 26336 | 43177 | 1028 | 24583 | | | | | | | | | | | | | | | | | | | | | | | | |



SST

STAINLESS STEEL EVAPORATORS

Engineering Data



SSTM UNIT COOLERS — 4 FAN MODELS

| Model No. | 0" ESP | | | 1/4" ESP | | | 1/2" ESP | | | Fan Data | | | | Coil Data | | Height | | Shipping Wt. (lbs.) | Electric Defrost (KW) | | | | |
|---------------|------------------------|---------|------------------|-------------------|-----------------------------------|------------------|-------------------|-----------------------------------|------------------|-------------------|-------------|------|-------------|-----------|--------------|-----------------|-----------------|------------------------|-----------------------|-----------------------|--------------------|--------|------|
| | Capacity* (Btuh/TD) | | Airflow (CFM) | Velocity (FPM) | Capacity* (Btuh/TD) Frosted | Airflow (CFM) | Velocity (FPM) | Capacity* (Btuh/TD) Frosted | Airflow (CFM) | Velocity (FPM) | Motor Hp | RPM | Dia. in. | dBA† | Rows Deep | Volume (ft³) | Dimension (in.) | | Room Temp | | | | |
| | Wet | Frosted | | | | | | | | | | | | | | | D | | H | >or=-20°F <or=+5°F | >+5°F <or=+33°F | >+33°F | |
| SSTM4-00698-3 | 7791 | 6987 | 14864 | 531 | 5440 | 10270 | 367 | - | - | - | 1/2 | 870 | 22 | 70 | 4 | 3 | 1.4 | 43 | 44-3/4 | 1414 | 33.0 | 28.1 | 24.6 |
| SSTM4-00858-4 | 9570 | 8583 | 14642 | 523 | 6350 | 10062 | 359 | - | - | - | 1/2 | 870 | 22 | 70 | 4 | 4 | 1.4 | 43 | 44-3/4 | 1453 | 33.0 | 28.1 | 24.6 |
| SSTM4-00904-3 | 9947 | 9043 | 14092 | 503 | 7115 | 9907 | 354 | - | - | - | 1/2 | 870 | 22 | 70 | 6 | 3 | 2.1 | 43 | 44-3/4 | 1530 | 37.9 | 28.1 | 24.6 |
| SSTM4-00994-6 | 11088 | 9945 | 14154 | 505 | 8341 | 9995 | 357 | - | - | - | 1/2 | 870 | 22 | 70 | 4 | 6 | 1.4 | 43 | 44-3/4 | 1530 | 33.0 | 28.1 | 24.6 |
| SSTM4-01072-3 | 11634 | 10723 | 13448 | 480 | - | - | - | - | - | - | 1/2 | 870 | 22 | 70 | 8 | 3 | 2.7 | 43 | 44-3/4 | 1649 | 42.8 | 28.1 | 24.6 |
| SSTM4-01078-4 | 11860 | 10782 | 13821 | 494 | - | - | - | - | - | - | 1/2 | 870 | 22 | 70 | 6 | 4 | 2.1 | 43 | 44-3/4 | 1587 | 37.9 | 28.1 | 24.6 |
| SSTM4-01099-3 | - | 10997 | 30716 | 1097 | 10506 | 28415 | 1015 | 9855 | 25528 | 912 | 2 | 1750 | 22 | 89 | 4 | 3 | 1.4 | 43 | 44-3/4 | 1424 | 33.0 | 28.1 | 24.6 |
| SSTM4-01167-3 | - | 11666 | 20501 | 732 | 9792 | 15925 | 569 | 7467 | 10725 | 383 | 3/4 | 1160 | 22 | 78 | 6 | 3 | 2.1 | 43 | 44-3/4 | 1469 | 37.9 | 28.1 | 24.6 |
| SSTM4-01168-3 | 13025 | 11681 | 26250 | 625 | 9658 | 19683 | 469 | - | - | - | 1/2 | 870 | 30 | 77 | 4 | 3 | 2.1 | 53-3/4 | 55-1/2 | 1589 | 47.8 | 37.9 | 34.4 |
| SSTM4-01245-4 | 13508 | 12450 | 13146 | 469 | - | - | - | - | - | - | 1/2 | 870 | 22 | 70 | 8 | 4 | 2.7 | 43 | 44-3/4 | 1726 | 42.8 | 28.1 | 24.6 |
| SSTM4-01256-3 | - | 12561 | 29412 | 700 | 11435 | 25456 | 606 | 9773 | 20033 | 477 | 3/4 | 1140 | 30 | 85 | 4 | 3 | 2.1 | 53-3/4 | 55-1/2 | 1528 | 47.8 | 37.9 | 34.4 |
| SSTM4-01278-4 | 14253 | 12783 | 23180 | 621 | 10497 | 17193 | 461 | - | - | - | 1/2 | 870 | 30 | 77 | 4 | 4 | 1.8 | 51 | 52-3/4 | 1600 | 42.8 | 33.0 | 29.5 |
| SSTM4-01349-4 | - | 13497 | 30335 | 1083 | 12857 | 27918 | 997 | 11994 | 24851 | 888 | 2 | 1750 | 22 | 89 | 4 | 4 | 1.4 | 43 | 44-3/4 | 1462 | 33.0 | 28.1 | 24.6 |
| SSTM4-01382-4 | - | 13817 | 19915 | 711 | 11544 | 15414 | 551 | 7634 | 10632 | 380 | 3/4 | 1160 | 22 | 78 | 6 | 4 | 2.1 | 43 | 44-3/4 | 1526 | 37.9 | 28.1 | 24.6 |
| SSTM4-01412-3 | - | 14121 | 38381 | 1028 | 13045 | 33604 | 900 | 11402 | 27106 | 726 | 1-1/2 | 1140 | 30 | 85 | 4 | 3 | 1.8 | 51 | 52-3/4 | 1544 | 42.8 | 33.0 | 29.5 |
| SSTM4-01431-3 | 15743 | 14312 | 23333 | 625 | 11622 | 17164 | 460 | - | - | - | 1/2 | 870 | 30 | 77 | 6 | 3 | 2.7 | 51 | 52-3/4 | 1703 | 47.8 | 33.0 | 29.5 |
| SSTM4-01431-4 | 15962 | 14315 | 25907 | 617 | 11796 | 19310 | 460 | - | - | - | 1/2 | 870 | 30 | 77 | 4 | 4 | 2.1 | 53-3/4 | 55-1/2 | 1647 | 47.8 | 37.9 | 34.4 |
| SSTM4-01486-6 | 16571 | 14862 | 22452 | 601 | 12402 | 16498 | 442 | - | - | - | 1/2 | 870 | 30 | 77 | 4 | 6 | 1.8 | 51 | 52-3/4 | 1703 | 42.8 | 33.0 | 29.5 |
| SSTM4-01510-4 | - | 15106 | 30215 | 809 | 13821 | 26195 | 702 | 12182 | 21526 | 577 | 1 | 1140 | 30 | 85 | 4 | 4 | 1.8 | 51 | 52-3/4 | 1562 | 42.8 | 33.0 | 29.5 |
| SSTM4-01523-3 | 16754 | 15231 | 25039 | 596 | 12428 | 18612 | 443 | - | - | - | 1/2 | 870 | 30 | 77 | 6 | 3 | 3.1 | 53-3/4 | 55-1/2 | 1763 | 52.7 | 37.9 | 34.4 |
| SSTM4-01573-3 | - | 15730 | 27257 | 730 | 14027 | 23488 | 629 | 12064 | 19008 | 509 | 3/4 | 1160 | 30 | 85 | 6 | 3 | 2.7 | 51 | 52-3/4 | 1641 | 47.8 | 33.0 | 29.5 |
| SSTM4-01594-3 | - | 15945 | 28405 | 761 | 13375 | 22033 | 590 | 10493 | 15093 | 404 | 3/4 | 870 | 30 | 78 | 6 | 3 | 2.7 | 51 | 52-3/4 | 1697 | 47.8 | 33.0 | 29.5 |
| SSTM4-01640-3 | - | 16403 | 29301 | 785 | 13783 | 22845 | 612 | 11198 | 16613 | 445 | 1 | 870 | 30 | 79 | 6 | 3 | 2.7 | 51 | 52-3/4 | 1697 | 47.8 | 33.0 | 29.5 |
| SSTM4-01697-3 | 18417 | 16974 | 22831 | 612 | 13791 | 16824 | 451 | - | - | - | 1/2 | 870 | 30 | 77 | 8 | 3 | 3.6 | 51 | 52-3/4 | 1861 | 52.7 | 37.9 | 34.4 |
| SSTM4-01704-4 | 18742 | 17039 | 23333 | 625 | 13714 | 17056 | 457 | - | - | - | 1/2 | 870 | 30 | 77 | 6 | 4 | 2.7 | 51 | 52-3/4 | 1779 | 47.8 | 33.0 | 29.5 |
| SSTM4-01735-3 | - | 17353 | 29876 | 711 | 14564 | 23418 | 558 | 10908 | 15466 | 368 | 3/4 | 870 | 30 | 78 | 6 | 3 | 3.1 | 53-3/4 | 55-1/2 | 1757 | 52.7 | 37.9 | 34.4 |
| SSTM4-01749-3 | 19234 | 17486 | 26869 | 480 | 14684 | 20453 | 365 | - | - | - | 1/2 | 870 | 30 | 77 | 6 | 3 | 4.1 | 65-3/4 | 67-1/2 | 2022 | 62.5 | 47.8 | 44.3 |
| SSTM4-01756-3 | - | 17557 | 30907 | 736 | 14864 | 24285 | 578 | 11692 | 17038 | 406 | 1 | 870 | 30 | 79 | 6 | 3 | 3.1 | 53-3/4 | 55-1/2 | 1757 | 52.7 | 37.9 | 34.4 |
| SSTM4-01821-3 | 19754 | 18207 | 23960 | 570 | 14575 | 17593 | 419 | - | - | - | 1/2 | 870 | 30 | 77 | 8 | 3 | 4.1 | 53-3/4 | 55-1/2 | 1941 | 57.6 | 42.8 | 39.4 |
| SSTM4-01822-4 | 20041 | 18219 | 24576 | 585 | 14761 | 18172 | 433 | - | - | - | 1/2 | 870 | 30 | 77 | 6 | 4 | 3.1 | 53-3/4 | 55-1/2 | 1849 | 52.7 | 37.9 | 34.4 |
| SSTM4-01846-3 | - | 18460 | 35791 | 959 | 16765 | 30757 | 824 | 14641 | 25006 | 670 | 1-1/2 | 1160 | 30 | 85 | 6 | 3 | 2.7 | 51 | 52-3/4 | 1699 | 47.8 | 33.0 | 29.5 |
| SSTM4-01889-3 | - | 18889 | 26665 | 714 | 15737 | 20486 | 549 | 12278 | 14532 | 389 | 3/4 | 870 | 30 | 78 | 8 | 3 | 3.6 | 51 | 52-3/4 | 1856 | 52.7 | 37.9 | 34.4 |
| SSTM4-01910-4 | - | 19105 | 27556 | 738 | 15897 | 21261 | 570 | 12310 | 14842 | 398 | 3/4 | 870 | 30 | 78 | 6 | 4 | 2.7 | 51 | 52-3/4 | 1774 | 47.8 | 33.0 | 29.5 |
| SSTM4-01917-3 | - | 19174 | 27211 | 729 | 15921 | 21042 | 564 | 13328 | 16008 | 429 | 1 | 870 | 30 | 79 | 8 | 3 | 3.6 | 51 | 52-3/4 | 1856 | 52.7 | 37.9 | 34.4 |
| SSTM4-01928-4 | - | 19283 | 28407 | 761 | 16472 | 22052 | 591 | 13049 | 16306 | 437 | 1 | 870 | 30 | 79 | 6 | 4 | 2.7 | 51 | 52-3/4 | 1774 | 47.8 | 33.0 | 29.5 |
| SSTM4-01940-3 | - | 19396 | 38770 | 1038 | 17682 | 33455 | 896 | 15757 | 27805 | 745 | 2 | 1160 | 30 | 85 | 6 | 3 | 2.7 | 51 | 52-3/4 | 1793 | 47.8 | 33.0 | 29.5 |
| SSTM4-01945-3 | - | 19454 | 27793 | 744 | 18038 | 24258 | 650 | 15536 | 20044 | 537 | 1 | 1160 | 30 | 85 | 8 | 3 | 3.6 | 51 | 52-3/4 | 1823 | 52.7 | 37.9 | 34.4 |
| SSTM4-01983-3 | - | 19834 | 37461 | 892 | 18138 | 32570 | 775 | 15980 | 26332 | 627 | 1-1/2 | 1160 | 30 | 85 | 6 | 3 | 3.1 | 53-3/4 | 55-1/2 | 1759 | 52.7 | 37.9 | 34.4 |
| SSTM4-02041-4 | - | 20409 | 29087 | 693 | 17091 | 22615 | 538 | 10959 | 15226 | 363 | 3/4 | 870 | 30 | 78 | 6 | 4 | 3.1 | 53-3/4 | 55-1/2 | 1844 | 52.7 | 37.9 | 34.4 |
| SSTM4-02042-4 | 22154 | 20419 | 22024 | 590 | 15832 | 16448 | 441 | - | - | - | 1/2 | 870 | 30 | 77 | 8 | 4 | 3.6 | 51 | 52-3/4 | 1964 | 52.7 | 37.9 | 34.4 |
| SSTM4-02049-6 | 22548 | 20498 | 23602 | 562 | 17285 | 17526 | 417 | - | - | - | 1/2 | 870 | 30 | 77 | 6 | 6 | 3.1 | 53-3/4 | 55-1/2 | 2027 | 52.7 | 37.9 | 34.4 |
| SSTM4-02057-3 | 22624 | 20567 | 33935 | 606 | 17745 | 27364 | 489 | - | - | - | 1 | 870 | 30 | 79 | 6 | 3 | 4.1 | 65-3/4 | 67-1/2 | 2017 | 62.5 | 47.8 | 44.3 |
| SSTM4-02064-4 | - | 20639 | 29560 | 704 | 19360 | 25897 | 617 | 16514 | 21321 | 508 | 1 | 1160 | 30 | 85 | 6 | 4 | 3.1 | 53-3/4 | 55-1/2 | 1811 | 52.7 | 37.9 | 34.4 |
| SSTM4-02083-4 | - | 20832 | 29985 | 714 | 17941 | 23510 | 560 | 14079 | 16819 | 400 | 1 | 870 | 30 | 79 | 6 | 4 | 3.1 | 53-3/4 | 55-1/2 | 1844 | 52.7 | 37.9 | 34.4 |
| SSTM4-02093-4 | 23021 | 20928 | 26491 | 473 | 14915 | 20087 | 359 | - | - | - | 1/2 | 870 | 30 | 77 | 6 | 4 | 4.1 | 65-3/4 | 67-1/2 | 2137 | 62.5 | 47.8 | 44.3 |

* Capacity based on R717 refrigerant with either recirculated or flooded feed.

† Sound ratings are based on 6 feet from the unit and under free field conditions.



EVAPORATORS

STAINLESS STEEL

Engineering Data

SSTM UNIT COOLERS — 4 FAN MODELS

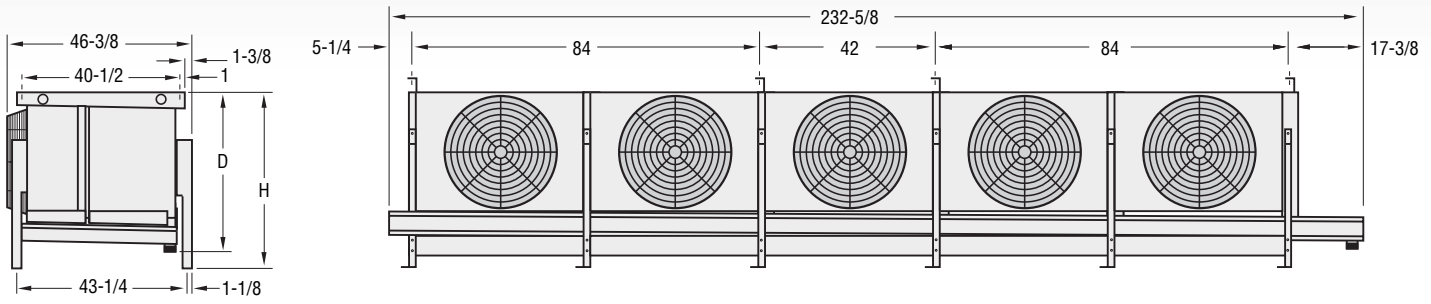
| Model No. | 0" ESP | | | 1/4" ESP | | | 1/2" ESP | | | Fan Data | | | | Coil Data | | Height | | Shipping Wt. (lbs.) | Electric Defrost (KW) | | | | |
|---------------|------------------------|---------|------------------|-------------------|------------------------|-------|------------------|-------------------|------------------------|----------|------------------|-------------------|-------------|-----------|------|------------------------------|-----------------|------------------------|-----------------------|------|------|------|------|
| | Capacity* (Btuh/TD) | | Airflow (CFM) | Velocity (FPM) | Capacity* (Btuh/TD) | | Airflow (CFM) | Velocity (FPM) | Capacity* (Btuh/TD) | | Airflow (CFM) | Velocity (FPM) | Fan Data | | Rows | Volume (ft ³) | Dimension (in.) | | Room Temp | | | | |
| | Wet | Frosted | | | Frosted | | | | Frosted | | | | Motor Hp | RPM | | | Dia. | | dBa† | Deep | fpi | D | H |
| | | | <or=+5°F | <or=+33°F | | | | | | | | | | | | | | | | | | | |
| SSTM4-02105-3 | - | 21051 | 41103 | 979 | 19203 | 35562 | 847 | 16954 | 29352 | 699 | 2 | 1160 | 30 | 85 | 6 | 3 | 3.1 | 53-3/4 | 55-1/2 | 1853 | 52.7 | 37.9 | 34.4 |
| SSTM4-02119-3 | 22986 | 21186 | 26056 | 465 | 17262 | 19633 | 351 | - | - | - | 1/2 | 870 | 30 | 77 | 8 | 3 | 5.5 | 65-3/4 | 67-1/2 | 2260 | 72.4 | 52.7 | 49.2 |
| SSTM4-02173-4 | 23251 | 21730 | 20714 | 555 | 17439 | 15641 | 419 | - | - | - | 1/2 | 870 | 30 | 77 | 10 | 4 | 4.6 | 51 | 52-3/4 | 2153 | 57.6 | 42.8 | 39.4 |
| SSTM4-02179-6 | 24303 | 21797 | 32573 | 582 | 19181 | 26289 | 469 | - | - | - | 3/4 | 870 | 30 | 78 | 4 | 6 | 2.7 | 65-3/4 | 67-1/2 | 2016 | 57.6 | 47.8 | 44.3 |
| SSTM4-02196-4 | - | 21957 | 34833 | 933 | 19786 | 29756 | 797 | 17444 | 24247 | 649 | 1-1/2 | 1160 | 30 | 85 | 6 | 4 | 2.7 | 51 | 52-3/4 | 1775 | 47.8 | 33.0 | 29.5 |
| SSTM4-02221-4 | - | 22214 | 25793 | 691 | 18015 | 19631 | 526 | 11728 | 14284 | 383 | 3/4 | 870 | 30 | 78 | 8 | 4 | 3.6 | 51 | 52-3/4 | 1958 | 52.7 | 37.9 | 34.4 |
| SSTM4-02243-4 | - | 22429 | 26276 | 704 | 18449 | 20268 | 543 | 15226 | 15653 | 419 | 1 | 870 | 30 | 79 | 8 | 4 | 3.6 | 51 | 52-3/4 | 1958 | 52.7 | 37.9 | 34.4 |
| SSTM4-02243-6 | 25012 | 22432 | 34000 | 607 | 19504 | 27218 | 486 | - | - | - | 1 | 870 | 30 | 79 | 4 | 6 | 2.7 | 65-3/4 | 67-1/2 | 2016 | 57.6 | 47.8 | 44.3 |
| SSTM4-02264-3 | - | 22643 | 33411 | 895 | 19807 | 28598 | 766 | 17207 | 23377 | 626 | 1-1/2 | 1160 | 30 | 85 | 8 | 3 | 3.6 | 51 | 52-3/4 | 1857 | 52.7 | 37.9 | 34.4 |
| SSTM4-02267-4 | - | 22675 | 27047 | 724 | 20385 | 23595 | 632 | 17810 | 19530 | 523 | 1 | 1160 | 30 | 85 | 8 | 4 | 3.6 | 51 | 52-3/4 | 1925 | 52.7 | 37.9 | 34.4 |
| SSTM4-02282-3 | - | 22824 | 46941 | 1118 | 21458 | 43260 | 1030 | 19822 | 37420 | 891 | 3 | 1160 | 30 | 85 | 6 | 3 | 3.1 | 53-3/4 | 55-1/2 | 1954 | 52.7 | 37.9 | 34.4 |
| SSTM4-02297-4 | - | 22972 | 37350 | 1000 | 20968 | 32297 | 865 | 18652 | 27076 | 725 | 2 | 1160 | 30 | 85 | 6 | 4 | 2.7 | 51 | 52-3/4 | 1869 | 47.8 | 33.0 | 29.5 |
| SSTM4-02300-3 | - | 22996 | 35729 | 957 | 20705 | 30967 | 829 | 18544 | 26228 | 703 | 2 | 1160 | 30 | 85 | 8 | 3 | 3.6 | 51 | 52-3/4 | 1951 | 52.7 | 37.9 | 34.4 |
| SSTM4-02381-3 | - | 23815 | 35490 | 845 | 21479 | 30429 | 724 | 18651 | 24761 | 590 | 1-1/2 | 1160 | 30 | 85 | 8 | 3 | 4.1 | 53-3/4 | 55-1/2 | 1937 | 57.6 | 42.8 | 39.4 |
| SSTM4-02392-4 | 25949 | 23916 | 26250 | 625 | 19574 | 20225 | 482 | - | - | - | 3/4 | 870 | 30 | 78 | 8 | 4 | 4.1 | 53-3/4 | 55-1/2 | 2051 | 57.6 | 42.8 | 39.4 |
| SSTM4-02410-6 | 26154 | 24106 | 23333 | 625 | 19775 | 18154 | 486 | 16380 | 13738 | 368 | 3/4 | 870 | 30 | 78 | 8 | 6 | 3.6 | 51 | 52-3/4 | 2167 | 52.7 | 37.9 | 34.4 |
| SSTM4-02416-4 | - | 24163 | 36557 | 870 | 21515 | 31572 | 752 | 18743 | 25601 | 610 | 1-1/2 | 1160 | 30 | 85 | 6 | 4 | 3.1 | 53-3/4 | 55-1/2 | 1845 | 52.7 | 37.9 | 34.4 |
| SSTM4-02436-4 | - | 24362 | 28076 | 668 | 20016 | 21663 | 516 | 13130 | 16233 | 387 | 1 | 870 | 30 | 79 | 8 | 4 | 4.1 | 53-3/4 | 55-1/2 | 2051 | 57.6 | 42.8 | 39.4 |
| SSTM4-02445-4 | 26525 | 24447 | 25632 | 458 | - | - | - | - | - | - | 1/2 | 870 | 30 | 77 | 8 | 4 | 5.5 | 65-3/4 | 67-1/2 | 2413 | 72.4 | 52.7 | 49.2 |
| SSTM4-02450-3 | - | 24498 | 44395 | 793 | 23082 | 40426 | 722 | 20132 | 32969 | 589 | 2 | 1160 | 30 | 85 | 6 | 3 | 4.1 | 65-3/4 | 67-1/2 | 2112 | 62.5 | 47.8 | 44.3 |
| SSTM4-02454-6 | 27001 | 24547 | 25747 | 460 | - | - | - | - | - | - | 1/2 | 870 | 30 | 77 | 6 | 6 | 4.1 | 65-3/4 | 67-1/2 | 2374 | 62.5 | 47.8 | 44.3 |
| SSTM4-02490-4 | 27390 | 24900 | 33404 | 597 | 20957 | 26793 | 478 | - | - | - | 1 | 870 | 30 | 79 | 6 | 4 | 4.1 | 65-3/4 | 67-1/2 | 2132 | 62.5 | 47.8 | 44.3 |
| SSTM4-02500-3 | 27126 | 25001 | 32811 | 586 | 20859 | 25942 | 463 | - | - | - | 1 | 870 | 30 | 79 | 8 | 3 | 5.5 | 65-3/4 | 67-1/2 | 2255 | 72.4 | 52.7 | 49.2 |
| SSTM4-02506-4 | - | 25060 | 39946 | 951 | 22751 | 34399 | 819 | 20028 | 28466 | 678 | 2 | 1160 | 30 | 85 | 6 | 4 | 3.1 | 53-3/4 | 55-1/2 | 1939 | 52.7 | 37.9 | 34.4 |
| SSTM4-02509-3 | - | 25094 | 38324 | 912 | 22729 | 33081 | 788 | 20125 | 27568 | 656 | 2 | 1160 | 30 | 85 | 8 | 3 | 4.1 | 53-3/4 | 55-1/2 | 2031 | 57.6 | 42.8 | 39.4 |
| SSTM4-02534-4 | - | 25340 | 43644 | 1169 | 23578 | 38897 | 1042 | 21574 | 33822 | 906 | 3 | 1160 | 30 | 85 | 6 | 4 | 2.7 | 51 | 52-3/4 | 1971 | 47.8 | 33.0 | 29.5 |
| SSTM4-02535-3 | - | 25350 | 41615 | 1115 | 23556 | 37150 | 995 | 21575 | 32378 | 867 | 3 | 1160 | 30 | 85 | 8 | 3 | 3.6 | 51 | 52-3/4 | 2053 | 52.7 | 37.9 | 34.4 |
| SSTM4-02586-4 | - | 25862 | 32112 | 860 | 22899 | 27541 | 738 | 20034 | 22665 | 607 | 1-1/2 | 1160 | 30 | 85 | 8 | 4 | 3.6 | 51 | 52-3/4 | 1959 | 52.7 | 37.9 | 34.4 |
| SSTM4-02636-6 | 28602 | 26361 | 25711 | 612 | 21569 | 19487 | 464 | - | - | - | 3/4 | 870 | 30 | 78 | 8 | 6 | 4.1 | 53-3/4 | 55-1/2 | 2286 | 57.6 | 42.8 | 39.4 |
| SSTM4-02671-4 | - | 26707 | 34284 | 918 | 24220 | 29763 | 797 | 21735 | 25440 | 681 | 2 | 1160 | 30 | 85 | 8 | 4 | 3.6 | 51 | 52-3/4 | 2053 | 52.7 | 37.9 | 34.4 |
| SSTM4-02679-3 | - | 26794 | 50845 | 908 | 25607 | 47351 | 846 | 23962 | 42857 | 765 | 3 | 1160 | 30 | 85 | 6 | 3 | 4.1 | 65-3/4 | 67-1/2 | 2214 | 62.5 | 47.8 | 44.3 |
| SSTM4-02724-4 | - | 27243 | 45859 | 1092 | 25714 | 41714 | 993 | 23645 | 36143 | 861 | 3 | 1160 | 30 | 85 | 6 | 4 | 3.1 | 53-3/4 | 55-1/2 | 2041 | 52.7 | 37.9 | 34.4 |
| SSTM4-02762-3 | - | 27615 | 44565 | 1061 | 25741 | 39952 | 951 | 23483 | 34698 | 826 | 3 | 1160 | 30 | 85 | 8 | 3 | 4.1 | 53-3/4 | 55-1/2 | 2133 | 57.6 | 42.8 | 39.4 |
| SSTM4-02775-4 | - | 27749 | 34398 | 819 | 24644 | 29392 | 700 | 21443 | 23964 | 571 | 1-1/2 | 1160 | 30 | 85 | 8 | 4 | 4.1 | 53-3/4 | 55-1/2 | 2052 | 57.6 | 42.8 | 39.4 |
| SSTM4-02798-4 | 30354 | 27976 | 30808 | 550 | 23845 | 24456 | 437 | - | - | - | 3/4 | 870 | 30 | 78 | 8 | 4 | 5.5 | 65-3/4 | 67-1/2 | 2408 | 72.4 | 52.7 | 49.2 |
| SSTM4-02805-3 | - | 28050 | 39240 | 701 | 25756 | 34742 | 620 | 22023 | 27897 | 498 | 1-1/2 | 1160 | 30 | 85 | 8 | 3 | 5.5 | 65-3/4 | 67-1/2 | 2256 | 72.4 | 52.7 | 49.2 |
| SSTM4-02841-6 | 31255 | 28413 | 32299 | 577 | 24296 | 25295 | 452 | - | - | - | 1 | 870 | 30 | 79 | 6 | 6 | 4.1 | 65-3/4 | 67-1/2 | 2368 | 62.5 | 47.8 | 44.3 |
| SSTM4-02907-4 | 31545 | 29074 | 32012 | 572 | 24143 | 25211 | 450 | - | - | - | 1 | 870 | 30 | 79 | 8 | 4 | 5.5 | 65-3/4 | 67-1/2 | 2408 | 72.4 | 52.7 | 49.2 |
| SSTM4-02942-3 | - | 29422 | 48608 | 1157 | 27480 | 44072 | 1049 | 25539 | 39458 | 939 | 5 | 1160 | 30 | 88 | 8 | 3 | 4.1 | 53-3/4 | 55-1/2 | 2255 | 57.6 | 42.8 | 39.4 |
| SSTM4-02943-4 | - | 29431 | 39828 | 1067 | 27333 | 35601 | 954 | 24863 | 31076 | 832 | 3 | 1160 | 30 | 85 | 8 | 4 | 3.6 | 51 | 52-3/4 | 2155 | 52.7 | 37.9 | 34.4 |
| SSTM4-02974-3 | - | 29745 | 42792 | 764 | 27531 | 38142 | 681 | 24274 | 31279 | 559 | 2 | 1160 | 30 | 85 | 8 | 3 | 5.5 | 65-3/4 | 67-1/2 | 2350 | 72.4 | 52.7 | 49.2 |
| SSTM4-03084-3 | - | 30843 | 63923 | 1141 | 29379 | 59285 | 1059 | 27253 | 53220 | 950 | 5 | 1160 | 34 | 91 | 6 | 3 | 4.1 | 65-3/4 | 67-1/2 | 2336 | 62.5 | 47.8 | 44.3 |
| SSTM4-03100-6 | 33640 | 31004 | 29391 | 525 | 26702 | 23397 | 418 | - | - | - | 3/4 | 870 | 30 | 78 | 8 | 6 | 5.5 | 65-3/4 | 67-1/2 | 2721 | 72.4 | 52.7 | 49.2 |
| SSTM4-03132-4 | 33520 | 31327 | 29529 | 527 | 25864 | 23062 | 412 | - | - | - | 3/4 | 870 | 30 | 78 | 10 | 4 | 6.8 | 65-3/4 | 67-1/2 | 2691 | 82.2 | 57.6 | 54.1 |
| SSTM4-03221-4 | - | 32208 | 50178 | 896 | 30287 | 46579 | 832 | 28135 | 41669 | 744 | 3 | 1160 | 30 | 85 | 6 | 4 | 4.1 | 65-3/4 | 67-1/2 | 2329 | 62.5 | 47.8 | 44.3 |
| SSTM4-03228-4 | - | 32278 | 43043 | 1025 | 29866 | 38371 | 914 | 27095 | 33373 | 795 | 3 | 1160 | 30 | 85 | 8 | 4 | 4.1 | 53-3/4 | 55-1/2 | 2248 | 57.6 | 42.8 | 39.4 |
| SSTM4-03286-4 | - | 32857 | 38523 | 688 | 29961 | 33773 | 603 | 25795 | 27195 | 486 | 1-1/2 | 1160 | 30 | 85 | 8 | 4 | 5.5 | 65-3/4 | 67-1/2 | 2409 | 72.4 | 52.7 | 49.2 |
| SSTM4-03305-3 | - | 33048 | 49292 | 880 | 31028 | 45641 | 815 | 28483 | 40295 | 720 | 3 | 1160 | 30 | 85 | 8 | 3 | 5.5 | 65-3/4 | 67-1/2 | 2452 | 72.4 | 52.7 | 49.2 |
| SSTM4-03332-6 | 35660 | 33327 | 27905 | 498 | 28214 | 22221 | 397 | - | - | - | 3/4 | 870 | 30 | 78 | 10 | 6 | 6.8 | 65-3/4 | 67-1/2 | 3073 | 82.2 | 57.6 | 54.1 |
| SSTM4-03401-4 | - | 34012 | 46649 | 1111 | 31865 | 42344 | 1008 | 29417 | 38103 | 907 | 5 | 1160 | 30 | 88 | 8 | 4 | 4.1 | 53-3/4 | 55-1/2 | 2370 | 57.6 | 42.8 | 39.4 |
| SSTM4-03471-4 | - | 34712 | 58002 | 1036 | 33388 | 53468 | 955 | 30636 | 47237 | 844 | 5 | 1160 | 30 | 88 | 6 | 4 | 4.1 | 65-3/4 | 67-1/2 | 2451 | 62.5 | 47.8 | 44.3 |
| SSTM4-03530-4 | - | 35302 | 42062 | 751 | 31862 | 36996 | 661 | 28308 | 30410 | 543 | 2 | 1160 | 30 | 85 | 8 | 4 | 5.5 | 65-3/4 | 67-1/2 | 2503 | 72.4 | 52.7 | 49.2 |
| SSTM4-03560-3 | - | 35600 | 56391 | 1007 | 33525 | 51577 | 921 | 31033 | 45668 | 815 | 5 | 1160 | 30 | 88 | 8 | 3 | 5.5 | 65-3/4 | 67-1/2 | 2574 | 72.4 | 52.7 | 49.2 |
| SSTM4-03639-4 | - | 36387 | 62572 | 1117 | 34499 | 57559 | 1028 | 32768 | 51726 | 924 | 5 | 1160 | 34 | 91 | 6 | 4 | 4.1 | 65-3/4 | 67-1/2 | 2451 | 62.5 | 47.8 | 44.3 |
| SSTM4-03740-3 | - | 37402 | | | | | | | | | | | | | | | | | | | | | |



SST

STAINLESS STEEL EVAPORATORS

Engineering Data



SSTM UNIT COOLERS — 5 FAN MODELS

| Model No. | 0" ESP | | | | 1/4" ESP | | | 1/2" ESP | | | Fan Data | | | | Coil Data | | Height | | Shipping Wt. (lbs.) | Electric Defrost (KW) Room Temp | | | |
|---------------|------------------------|---------|------------------|-------------------|-----------------------------------|------------------|-------------------|-----------------------------------|------------------|-------------------|----------|------|------|------|-----------|-----------------|----------------------|--------|------------------------|------------------------------------|---------------------|---------|------|
| | Capacity* (Btuh/TD) | | Airflow (CFM) | Velocity (FPM) | Capacity* (Btuh/TD) Frosted | Airflow (CFM) | Velocity (FPM) | Capacity* (Btuh/TD) Frosted | Airflow (CFM) | Velocity (FPM) | Motor | RPM | Dia. | dBA† | Rows | Volume (ft³) | Dimension (in.) D | H | | >or=-20°F <or=+5°F | > +5°F <or=+33°F | > +33°F | |
| | Wet | Frosted | | | | | | | | | Hp | | | | Deep | fpi | | | | | | | |
| SSTM5-00876-3 | 9771 | 8763 | 18605 | 532 | 6806 | 12864 | 368 | - | - | - | 1/2 | 870 | 22 | 71 | 4 | 3 | 1.7 | 43-7/8 | 44-3/4 | 1744 | 40.8 | 34.7 | 30.5 |
| SSTM5-01073-4 | 11964 | 10730 | 18326 | 524 | 7939 | 12617 | 360 | - | - | - | 1/2 | 870 | 22 | 71 | 4 | 4 | 1.7 | 43-7/8 | 44-3/4 | 1792 | 40.8 | 34.7 | 30.5 |
| SSTM5-01133-3 | 12458 | 11326 | 17630 | 504 | 8806 | 12363 | 353 | - | - | - | 1/2 | 870 | 22 | 71 | 6 | 3 | 2.6 | 43-7/8 | 44-3/4 | 1889 | 46.9 | 34.7 | 30.5 |
| SSTM5-01243-6 | 13864 | 12434 | 17715 | 506 | 10385 | 12322 | 352 | - | - | - | 1/2 | 870 | 22 | 71 | 4 | 6 | 1.7 | 43-7/8 | 44-3/4 | 1888 | 40.8 | 34.7 | 30.5 |
| SSTM5-01346-4 | 14811 | 13464 | 17275 | 494 | - | - | - | - | - | - | 1/2 | 870 | 22 | 71 | 6 | 4 | 2.6 | 43-7/8 | 44-3/4 | 1960 | 46.9 | 34.7 | 30.5 |
| SSTM5-01347-3 | 14619 | 13473 | 16883 | 482 | - | - | - | - | - | - | 1/2 | 870 | 22 | 71 | 8 | 3 | 3.4 | 43-7/8 | 44-3/4 | 2038 | 53.0 | 34.7 | 30.5 |
| SSTM5-01374-3 | - | 13746 | 38395 | 1097 | 13140 | 35524 | 1015 | 12327 | 31916 | 912 | 2 | 1750 | 22 | 90 | 4 | 3 | 1.7 | 43-7/8 | 44-3/4 | 1755 | 40.8 | 34.7 | 30.5 |
| SSTM5-01459-3 | - | 14591 | 25632 | 732 | 12573 | 19978 | 571 | 9344 | 13399 | 383 | 3/4 | 1160 | 22 | 79 | 6 | 3 | 2.6 | 43-7/8 | 44-3/4 | 1812 | 46.9 | 34.7 | 30.5 |
| SSTM5-01463-3 | 16316 | 14633 | 32812 | 625 | 12085 | 24641 | 469 | - | - | - | 1/2 | 870 | 30 | 78 | 4 | 3 | 2.6 | 54-5/8 | 55-1/2 | 1959 | 59.1 | 46.9 | 42.7 |
| SSTM5-01570-3 | - | 15709 | 36802 | 701 | 14337 | 31895 | 608 | 12233 | 25092 | 478 | 3/4 | 1140 | 30 | 86 | 4 | 3 | 2.6 | 54-5/8 | 55-1/2 | 1883 | 59.1 | 46.9 | 42.7 |
| SSTM5-01573-4 | 17066 | 15729 | 16432 | 469 | - | - | - | - | - | - | 1/2 | 870 | 22 | 71 | 8 | 4 | 3.4 | 43-7/8 | 44-3/4 | 2133 | 53.0 | 34.7 | 30.5 |
| SSTM5-01595-4 | 17793 | 15958 | 29039 | 622 | 13116 | 21484 | 460 | - | - | - | 1/2 | 870 | 30 | 78 | 4 | 4 | 2.3 | 51-7/8 | 52-3/4 | 1974 | 53.0 | 40.8 | 36.6 |
| SSTM5-01688-4 | - | 16885 | 37920 | 1083 | 16072 | 34903 | 997 | 14988 | 31070 | 888 | 2 | 1750 | 22 | 90 | 4 | 4 | 1.7 | 43-7/8 | 44-3/4 | 1803 | 40.8 | 34.7 | 30.5 |
| SSTM5-01728-4 | - | 17280 | 24913 | 712 | 14425 | 19270 | 551 | 9397 | 13227 | 378 | 3/4 | 1160 | 22 | 79 | 6 | 4 | 2.6 | 43-7/8 | 44-3/4 | 1884 | 46.9 | 34.7 | 30.5 |
| SSTM5-01764-3 | - | 17647 | 47984 | 1028 | 16272 | 41998 | 900 | 14258 | 33885 | 726 | 1-1/2 | 1140 | 30 | 86 | 4 | 3 | 2.3 | 51-7/8 | 52-3/4 | 1904 | 53.0 | 40.8 | 36.6 |
| SSTM5-01787-4 | 19930 | 17874 | 32450 | 618 | 147340 | 24166 | 460 | - | - | - | 1/2 | 870 | 30 | 78 | 4 | 4 | 2.6 | 54-5/8 | 55-1/2 | 2031 | 59.1 | 46.9 | 42.7 |
| SSTM5-01788-3 | 19669 | 17881 | 29167 | 625 | 14502 | 21410 | 459 | - | - | - | 1/2 | 870 | 30 | 78 | 6 | 3 | 3.4 | 51-7/8 | 52-3/4 | 2102 | 59.1 | 40.8 | 36.6 |
| SSTM5-01849-6 | 20624 | 18497 | 28046 | 601 | 15428 | 20613 | 442 | - | - | - | 1/2 | 870 | 30 | 78 | 4 | 6 | 2.3 | 51-7/8 | 52-3/4 | 2102 | 53.0 | 40.8 | 36.6 |
| SSTM5-01888-4 | - | 18880 | 37756 | 809 | 17235 | 32761 | 702 | 15197 | 26934 | 577 | 1 | 1140 | 30 | 86 | 4 | 4 | 2.3 | 51-7/8 | 52-3/4 | 1926 | 53.0 | 40.8 | 36.6 |
| SSTM5-01911-3 | 21023 | 19112 | 31326 | 597 | 15571 | 23266 | 443 | - | - | - | 1/2 | 870 | 30 | 78 | 6 | 3 | 3.8 | 54-5/8 | 55-1/2 | 2177 | 65.2 | 46.9 | 42.7 |
| SSTM5-01963-3 | - | 19632 | 34071 | 730 | 17400 | 29360 | 629 | 15338 | 23690 | 508 | 3/4 | 1160 | 30 | 86 | 6 | 3 | 3.4 | 51-7/8 | 52-3/4 | 2026 | 59.1 | 40.8 | 36.6 |
| SSTM5-02014-3 | - | 20136 | 35517 | 761 | 16794 | 27542 | 590 | 12921 | 18800 | 403 | 3/4 | 870 | 30 | 79 | 6 | 3 | 3.4 | 51-7/8 | 52-3/4 | 2096 | 59.1 | 40.8 | 36.6 |
| SSTM5-02055-3 | - | 20547 | 36627 | 785 | 17217 | 28556 | 612 | 14000 | 20739 | 444 | 1 | 870 | 30 | 80 | 6 | 3 | 3.4 | 51-7/8 | 52-3/4 | 2096 | 59.1 | 40.8 | 36.6 |
| SSTM5-02127-3 | 23073 | 21265 | 28638 | 614 | 17143 | 20960 | 449 | - | - | - | 1/2 | 870 | 30 | 78 | 8 | 3 | 4.5 | 51-7/8 | 52-3/4 | 2301 | 65.2 | 46.9 | 42.7 |
| SSTM5-02130-4 | 23431 | 21301 | 29167 | 625 | 17145 | 21320 | 457 | - | - | - | 1/2 | 870 | 30 | 78 | 6 | 4 | 3.4 | 51-7/8 | 52-3/4 | 2198 | 59.1 | 40.8 | 36.6 |
| SSTM5-02142-4 | - | 21422 | 37355 | 712 | 18413 | 29272 | 558 | 13594 | 19302 | 368 | 3/4 | 870 | 30 | 79 | 6 | 3 | 3.8 | 54-5/8 | 55-1/2 | 2170 | 65.2 | 46.9 | 42.7 |
| SSTM5-02192-3 | - | 21918 | 38693 | 737 | 18837 | 30291 | 577 | 14607 | 21296 | 406 | 1 | 870 | 30 | 80 | 6 | 3 | 3.8 | 54-5/8 | 55-1/2 | 2170 | 65.2 | 46.9 | 42.7 |
| SSTM5-02218-3 | 24401 | 22183 | 33636 | 481 | 17907 | 25568 | 365 | - | - | - | 1/2 | 870 | 30 | 78 | 6 | 3 | 5.1 | 66-5/8 | 67-1/2 | 2498 | 77.4 | 59.1 | 54.9 |
| SSTM5-02279-3 | 24722 | 22785 | 29983 | 571 | 18225 | 21991 | 419 | - | - | - | 1/2 | 870 | 30 | 78 | 8 | 3 | 5.1 | 54-5/8 | 55-1/2 | 2400 | 71.3 | 53.0 | 48.8 |
| SSTM5-02307-3 | - | 23068 | 44738 | 959 | 20952 | 38446 | 824 | 18318 | 31258 | 670 | 1-1/2 | 1160 | 30 | 86 | 6 | 3 | 3.4 | 51-7/8 | 52-3/4 | 2097 | 59.1 | 40.8 | 36.6 |
| SSTM5-02361-4 | 25969 | 23608 | 30720 | 585 | 18371 | 22648 | 431 | - | - | - | 1/2 | 870 | 30 | 78 | 6 | 4 | 3.8 | 54-5/8 | 55-1/2 | 2285 | 65.2 | 46.9 | 42.7 |
| SSTM5-02366-4 | - | 23656 | 34455 | 738 | 20101 | 26579 | 570 | 15369 | 18529 | 397 | 3/4 | 870 | 30 | 79 | 6 | 4 | 3.4 | 51-7/8 | 52-3/4 | 2192 | 59.1 | 40.8 | 36.6 |
| SSTM5-02390-3 | - | 23899 | 33331 | 714 | 19618 | 25533 | 547 | 15346 | 18164 | 389 | 3/4 | 870 | 30 | 79 | 8 | 3 | 4.5 | 51-7/8 | 52-3/4 | 2294 | 65.2 | 46.9 | 42.7 |
| SSTM5-02404-3 | - | 24036 | 34079 | 730 | 20070 | 26321 | 564 | 16471 | 19982 | 428 | 1 | 870 | 30 | 80 | 8 | 3 | 4.5 | 51-7/8 | 52-3/4 | 2294 | 65.2 | 46.9 | 42.7 |
| SSTM5-02424-3 | - | 24244 | 48463 | 1038 | 22110 | 41832 | 896 | 19910 | 34756 | 745 | 2 | 1160 | 30 | 86 | 6 | 3 | 3.4 | 51-7/8 | 52-3/4 | 2215 | 59.1 | 40.8 | 36.6 |
| SSTM5-02432-4 | - | 24324 | 35508 | 761 | 20310 | 27451 | 588 | 16548 | 20380 | 437 | 1 | 870 | 30 | 80 | 6 | 4 | 3.4 | 51-7/8 | 52-3/4 | 2192 | 59.1 | 40.8 | 36.6 |
| SSTM5-02433-3 | - | 24330 | 34747 | 745 | 22154 | 30294 | 649 | 19374 | 25054 | 537 | 1 | 1160 | 30 | 86 | 8 | 3 | 4.5 | 51-7/8 | 52-3/4 | 2254 | 65.2 | 46.9 | 42.7 |
| SSTM5-02451-4 | 26596 | 24512 | 27527 | 590 | 19789 | 20559 | 441 | - | - | - | 1/2 | 870 | 30 | 78 | 8 | 4 | 4.5 | 51-7/8 | 52-3/4 | 2429 | 65.2 | 46.9 | 42.7 |
| SSTM5-02479-3 | - | 24787 | 46826 | 892 | 22668 | 40713 | 775 | 19558 | 32915 | 627 | 1-1/2 | 1160 | 30 | 86 | 6 | 3 | 3.8 | 54-5/8 | 55-1/2 | 2172 | 65.2 | 46.9 | 42.7 |
| SSTM5-02545-4 | - | 25448 | 36358 | 693 | 21321 | 28269 | 538 | 13840 | 19033 | 363 | 3/4 | 870 | 30 | 79 | 6 | 4 | 3.8 | 54-5/8 | 55-1/2 | 2278 | 65.2 | 46.9 | 42.7 |
| SSTM5-02563-6 | 28197 | 25634 | 29543 | 563 | 21610 | 21891 | 417 | - | - | - | 1/2 | 870 | 30 | 78 | 6 | 6 | 3.8 | 54-5/8 | 55-1/2 | 2506 | 65.2 | 46.9 | 42.7 |
| SSTM5-02571-3 | 28286 | 25715 | 42422 | 606 | 22170 | 34205 | 489 | - | - | - | 1 | 870 | 30 | 80 | 6 | 3 | 5.1 | 66-5/8 | 67-1/2 | 2491 | 77.4 | 59.1 | 54.9 |
| SSTM5-02580-4 | - | 25796 | 37002 | 705 | 23809 | 32313 | 615 | 20305 | 26635 | 507 | 1 | 1160 | 30 | 86 | 6 | 4 | 3.8 | 54-5/8 | 55-1/2 | 2237 | 65.2 | 46.9 | 42.7 |
| SSTM5-02601-4 | - | 26006 | 37548 | 715 | 22284 | 29323 | 559 | 17175 | 20957 | 399 | 1 | 870 | 30 | 80 | 6 | 4 | 3.8 | 54-5/8 | 55-1/2 | 2278 | 65.2 | 46.9 | 42.7 |
| SSTM5-02615-4 | 28761 | 26146 | 33185 | 474 | 18644 | 25050 | 358 | - | - | - | 1/2 | 870 | 30 | 78 | 6 | 4 | 5.1 | 66-5/8 | 67-1/2 | 2642 | 77.4 | 59.1 | 54.9 |

* Capacity based on R717 refrigerant with either recirculated or flooded feed.

† Sound ratings are based on 6 feet from the unit and under free field conditions.

SSTM UNIT COOLERS — 5 FAN MODELS

| Model No. | 0" ESP | | | | 1/4" ESP | | | 1/2" ESP | | | Fan Data | | | | Coil Data | | Height | | Shipping Wt. (lbs.) | Electric Defrost (KW) | | | |
|---------------|-----------|---------|------------------|-------------------|-----------|------------------|-------------------|-----------|------------------|-------------------|-------------|------|------|------|-----------------|------------------------|-----------------------|--------------------|------------------------|-----------------------|-------|------|------|
| | Capacity* | | Airflow (CFM) | Velocity (FPM) | Capacity* | Airflow (CFM) | Velocity (FPM) | Capacity* | Airflow (CFM) | Velocity (FPM) | Fan Data | | | Rows | Volume (ft³) | Dimension (in.) D H | Room Temp | | | | | | |
| | Wet | Frosted | | | | | | | | | Motor Hp | RPM | Dia. | | | | dBA† | Deep | Room Temp | | | | |
| | | | | | | | | | | | | | | | | | >or=-20°F <or=+5°F | >+5°F <or=+33°F | >+33°F | | | | |
| SSTM5-02619-3 | 28415 | 26189 | 32586 | 466 | 21226 | 24512 | 350 | - | - | - | 1/2 | 870 | 30 | 78 | 8 | 3 | 6.8 | 66-5/8 | 67-1/2 | 2796 | 89.6 | 65.2 | 61.0 |
| SSTM5-02632-3 | - | 26324 | 51378 | 979 | 23733 | 44450 | 847 | 21135 | 36689 | 699 | 2 | 1160 | 30 | 86 | 6 | 3 | 3.8 | 54-5/8 | 55-1/2 | 2289 | 65.2 | 46.9 | 42.7 |
| SSTM5-02708-4 | 28982 | 27086 | 25818 | 553 | 21879 | 19588 | 420 | - | - | - | 1/2 | 870 | 30 | 78 | 10 | 4 | 5.7 | 51-7/8 | 52-3/4 | 2665 | 71.3 | 53.0 | 48.8 |
| SSTM5-02726-6 | 30405 | 27269 | 40764 | 582 | 23899 | 32877 | 470 | - | - | - | 3/4 | 870 | 30 | 80 | 4 | 6 | 3.4 | 66-5/8 | 67-1/2 | 2490 | 71.3 | 59.1 | 54.9 |
| SSTM5-02753-3 | - | 27528 | 41753 | 895 | 24564 | 35746 | 766 | 21582 | 29220 | 626 | 1-1/2 | 1160 | 30 | 86 | 8 | 3 | 4.5 | 51-7/8 | 52-3/4 | 2296 | 65.2 | 46.9 | 42.7 |
| SSTM5-02769-4 | - | 27692 | 32243 | 691 | 22519 | 24539 | 526 | 14630 | 17826 | 382 | 3/4 | 870 | 30 | 79 | 8 | 4 | 4.5 | 51-7/8 | 52-3/4 | 2422 | 65.2 | 34.7 | 30.5 |
| SSTM5-02793-4 | - | 27926 | 43542 | 933 | 24858 | 37196 | 797 | 21482 | 30301 | 649 | 1-1/2 | 1160 | 30 | 86 | 6 | 4 | 3.4 | 51-7/8 | 52-3/4 | 2193 | 59.1 | 40.8 | 36.6 |
| SSTM5-02804-4 | - | 28038 | 32846 | 704 | 23048 | 25335 | 543 | 19305 | 19566 | 419 | 1 | 870 | 30 | 80 | 8 | 4 | 4.5 | 51-7/8 | 52-3/4 | 2422 | 65.2 | 34.7 | 30.5 |
| SSTM5-02804-6 | 31286 | 28059 | 42542 | 608 | 24317 | 34091 | 487 | - | - | - | 1 | 870 | 30 | 80 | 4 | 6 | 3.4 | 66-5/8 | 67-1/2 | 2490 | 71.3 | 59.1 | 54.9 |
| SSTM5-02839-4 | - | 28385 | 33830 | 725 | 25749 | 29484 | 632 | 22463 | 24412 | 523 | 1 | 1160 | 30 | 86 | 8 | 4 | 4.5 | 51-7/8 | 52-3/4 | 2381 | 65.2 | 34.7 | 30.5 |
| SSTM5-02854-3 | - | 28539 | 58676 | 1118 | 27132 | 54075 | 1030 | 24726 | 46787 | 891 | 3 | 1160 | 30 | 86 | 6 | 3 | 3.8 | 54-5/8 | 55-1/2 | 2416 | 65.2 | 34.7 | 30.5 |
| SSTM5-02874-3 | - | 28742 | 44666 | 957 | 26164 | 38709 | 829 | 23441 | 32785 | 703 | 2 | 1160 | 30 | 86 | 8 | 3 | 4.5 | 51-7/8 | 52-3/4 | 2414 | 65.2 | 34.7 | 30.5 |
| SSTM5-02877-4 | - | 28768 | 46686 | 1000 | 26208 | 40371 | 865 | 23248 | 33845 | 725 | 2 | 1160 | 30 | 86 | 6 | 4 | 3.4 | 51-7/8 | 52-3/4 | 2311 | 59.1 | 40.8 | 36.6 |
| SSTM5-02954-4 | - | 29542 | 45695 | 870 | 26956 | 39464 | 752 | 23381 | 32001 | 610 | 1-1/2 | 1160 | 30 | 86 | 6 | 4 | 3.8 | 54-5/8 | 55-1/2 | 2279 | 65.2 | 34.7 | 30.5 |
| SSTM5-02977-3 | - | 29774 | 44364 | 845 | 26852 | 38036 | 724 | 23257 | 30944 | 589 | 1-1/2 | 1160 | 30 | 86 | 8 | 3 | 5.1 | 54-5/8 | 55-1/2 | 2395 | 71.3 | 53.0 | 48.8 |
| SSTM5-02989-4 | 32435 | 29894 | 32812 | 625 | 24466 | 25282 | 482 | - | - | - | 3/4 | 870 | 30 | 79 | 8 | 4 | 5.1 | 54-5/8 | 55-1/2 | 2537 | 71.3 | 53.0 | 48.8 |
| SSTM5-03013-6 | 32692 | 30131 | 29167 | 625 | 24638 | 22640 | 485 | 20530 | 17197 | 369 | 3/4 | 870 | 30 | 79 | 8 | 6 | 4.5 | 51-7/8 | 52-3/4 | 2683 | 65.2 | 46.9 | 42.7 |
| SSTM5-03043-4 | - | 30433 | 35095 | 668 | 25019 | 27079 | 516 | 16377 | 20236 | 385 | 1 | 870 | 30 | 80 | 8 | 4 | 5.1 | 54-5/8 | 55-1/2 | 2537 | 71.3 | 53.0 | 48.8 |
| SSTM5-03045-4 | 33037 | 30449 | 32039 | 458 | - | - | - | - | - | - | 1/2 | 870 | 30 | 78 | 8 | 4 | 6.8 | 66-5/8 | 67-1/2 | 2987 | 89.6 | 65.2 | 61.0 |
| SSTM5-03065-3 | - | 30653 | 55498 | 793 | 28891 | 50524 | 722 | 25783 | 41205 | 589 | 2 | 1160 | 30 | 86 | 6 | 3 | 5.1 | 66-5/8 | 67-1/2 | 2610 | 77.4 | 59.1 | 54.9 |
| SSTM5-03069-6 | 33760 | 30691 | 32197 | 460 | - | - | - | - | - | - | 1/2 | 870 | 30 | 78 | 6 | 6 | 5.1 | 66-5/8 | 67-1/2 | 2937 | 77.4 | 59.1 | 54.9 |
| SSTM5-03071-4 | 33785 | 30714 | 41812 | 597 | 26068 | 33427 | 478 | - | - | - | 1 | 870 | 30 | 80 | 6 | 4 | 5.1 | 66-5/8 | 67-1/2 | 2635 | 77.4 | 59.1 | 54.9 |
| SSTM5-03133-4 | - | 31325 | 49925 | 951 | 28391 | 43016 | 819 | 25121 | 35582 | 678 | 2 | 1160 | 30 | 86 | 6 | 4 | 3.8 | 54-5/8 | 55-1/2 | 2397 | 65.2 | 46.9 | 42.7 |
| SSTM5-03133-3 | 33990 | 31327 | 41040 | 586 | 26092 | 32427 | 463 | - | - | - | 1 | 870 | 30 | 80 | 8 | 3 | 6.8 | 66-5/8 | 67-1/2 | 2789 | 89.6 | 65.2 | 61.0 |
| SSTM5-03137-3 | - | 31369 | 47896 | 912 | 28137 | 41365 | 788 | 25160 | 34460 | 656 | 2 | 1160 | 30 | 86 | 8 | 3 | 5.1 | 54-5/8 | 55-1/2 | 2513 | 71.3 | 53.0 | 48.8 |
| SSTM5-03164-4 | - | 31642 | 54556 | 1169 | 29452 | 48621 | 1042 | 27036 | 42287 | 906 | 3 | 1160 | 30 | 86 | 6 | 4 | 3.4 | 51-7/8 | 52-3/4 | 2438 | 59.1 | 40.8 | 36.6 |
| SSTM5-03169-3 | - | 31693 | 52019 | 1115 | 29447 | 46435 | 995 | 26966 | 40472 | 867 | 3 | 1160 | 30 | 86 | 8 | 3 | 4.5 | 51-7/8 | 52-3/4 | 2541 | 65.2 | 34.7 | 30.5 |
| SSTM5-03189-4 | - | 31892 | 40135 | 860 | 28722 | 34425 | 738 | 25607 | 28325 | 607 | 1-1/2 | 1160 | 30 | 86 | 8 | 4 | 4.5 | 51-7/8 | 52-3/4 | 2424 | 65.2 | 34.7 | 30.5 |
| SSTM5-03296-6 | 35770 | 32968 | 32172 | 613 | 27031 | 24417 | 465 | - | - | - | 3/4 | 870 | 30 | 79 | 8 | 6 | 5.1 | 54-5/8 | 55-1/2 | 2830 | 71.3 | 53.0 | 48.8 |
| SSTM5-03340-3 | - | 33396 | 63560 | 908 | 31650 | 59180 | 845 | 29965 | 53572 | 765 | 3 | 1160 | 30 | 86 | 6 | 3 | 5.1 | 66-5/8 | 67-1/2 | 2737 | 77.4 | 59.1 | 54.9 |
| SSTM5-03381-4 | - | 33807 | 42874 | 919 | 30346 | 37205 | 797 | 27203 | 31793 | 681 | 2 | 1160 | 30 | 86 | 8 | 4 | 4.5 | 51-7/8 | 52-3/4 | 2541 | 65.2 | 34.7 | 30.5 |
| SSTM5-03416-4 | - | 34157 | 57324 | 1092 | 32189 | 52143 | 993 | 29374 | 45191 | 861 | 3 | 1160 | 30 | 86 | 6 | 4 | 3.8 | 54-5/8 | 55-1/2 | 2524 | 65.2 | 34.7 | 30.5 |
| SSTM5-03452-3 | - | 34521 | 55708 | 1061 | 32173 | 49940 | 951 | 29355 | 43372 | 826 | 3 | 1160 | 30 | 86 | 8 | 3 | 5.1 | 54-5/8 | 55-1/2 | 2640 | 71.3 | 53.0 | 48.8 |
| SSTM5-03471-4 | - | 34710 | 42998 | 819 | 31130 | 36740 | 700 | 26793 | 29956 | 571 | 1-1/2 | 1160 | 30 | 86 | 8 | 4 | 5.1 | 54-5/8 | 55-1/2 | 2538 | 71.3 | 53.0 | 48.8 |
| SSTM5-03496-3 | - | 34959 | 49050 | 701 | 32151 | 43427 | 620 | 27475 | 34871 | 498 | 1-1/2 | 1160 | 30 | 86 | 8 | 3 | 6.8 | 66-5/8 | 67-1/2 | 2791 | 89.6 | 65.2 | 61.0 |
| SSTM5-03561-6 | 39178 | 35617 | 40436 | 578 | 30371 | 31620 | 452 | - | - | - | 1 | 870 | 30 | 80 | 6 | 6 | 5.1 | 66-5/8 | 67-1/2 | 2930 | 77.4 | 59.1 | 54.9 |
| SSTM5-03593-4 | 38979 | 35925 | 40088 | 573 | 29844 | 31449 | 449 | - | - | - | 1 | 870 | 30 | 80 | 8 | 4 | 6.8 | 66-5/8 | 67-1/2 | 2980 | 89.6 | 65.2 | 61.0 |
| SSTM5-03614-4 | 39209 | 36137 | 38511 | 550 | 29437 | 30572 | 437 | - | - | - | 3/4 | 870 | 30 | 79 | 8 | 4 | 6.8 | 66-5/8 | 67-1/2 | 2980 | 89.6 | 65.2 | 61.0 |
| SSTM5-03652-3 | - | 36517 | 60759 | 1157 | 34267 | 55091 | 1049 | 31922 | 49330 | 940 | 5 | 1160 | 30 | 89 | 8 | 3 | 5.1 | 54-5/8 | 55-1/2 | 2792 | 71.3 | 53.0 | 48.8 |
| SSTM5-03677-4 | - | 36770 | 49786 | 1067 | 34152 | 44501 | 954 | 31078 | 38845 | 832 | 3 | 1160 | 30 | 86 | 8 | 4 | 4.5 | 51-7/8 | 52-3/4 | 2668 | 65.2 | 34.7 | 30.5 |
| SSTM5-03715-3 | - | 37154 | 53490 | 764 | 34364 | 47678 | 681 | 29860 | 39091 | 558 | 2 | 1160 | 30 | 86 | 8 | 3 | 6.8 | 66-5/8 | 67-1/2 | 2908 | 89.6 | 65.2 | 61.0 |
| SSTM5-03808-3 | - | 38079 | 79911 | 1142 | 36299 | 74106 | 1059 | 34059 | 66518 | 950 | 5 | 1160 | 34 | 92 | 6 | 3 | 5.1 | 66-5/8 | 67-1/2 | 2890 | 77.4 | 59.1 | 54.9 |
| SSTM5-03874-6 | 42043 | 38749 | 36726 | 525 | 33333 | 29192 | 417 | - | - | - | 3/4 | 870 | 30 | 79 | 8 | 6 | 6.8 | 66-5/8 | 67-1/2 | 3371 | 89.6 | 65.2 | 61.0 |
| SSTM5-03919-4 | 41938 | 39194 | 36955 | 528 | 32347 | 28845 | 412 | - | - | - | 3/4 | 870 | 30 | 79 | 10 | 4 | 8.5 | 66-5/8 | 67-1/2 | 3334 | 102.0 | 71.3 | 67.1 |
| SSTM5-04024-4 | - | 40243 | 62723 | 896 | 38402 | 58217 | 832 | 35631 | 52087 | 744 | 3 | 1160 | 30 | 86 | 6 | 4 | 5.1 | 66-5/8 | 67-1/2 | 2881 | 77.4 | 59.1 | 54.9 |
| SSTM5-04038-4 | - | 40380 | 53803 | 1025 | 37361 | 47960 | 914 | 33870 | 41717 | 795 | 3 | 1160 | 30 | 86 | 8 | 4 | 5.1 | 54-5/8 | 55-1/2 | 2783 | 71.3 | 53.0 | 48.8 |
| SSTM5-04088-3 | - | 40877 | 61615 | 880 | 38698 | 57043 | 815 | 35604 | 50368 | 720 | 3 | 1160 | 30 | 86 | 8 | 3 | 6.8 | 66-5/8 | 67-1/2 | 3035 | 89.6 | 65.2 | 61.0 |
| SSTM5-04098-4 | - | 40980 | 48170 | 688 | 37341 | 42209 | 603 | 31843 | 33985 | 486 | 1-1/2 | 1160 | 30 | 86 | 8 | 4 | 6.8 | 66-5/8 | 67-1/2 | 2982 | 89.6 | 65.2 | 61.0 |
| SSTM5-04171-6 | 44634 | 41714 | 34947 | 499 | 35255 | 27761 | 397 | - | - | - | 3/4 | 870 | 30 | 79 | 10 | 6 | 8.5 | 66-5/8 | 67-1/2 | 3812 | 102.0 | 71.3 | 67.1 |
| SSTM5-04249-4 | - | 42492 | 58313 | 1111 | 39872 | 52930 | 1008 | 37166 | 47629 | 907 | 5 | 1160 | 30 | 89 | 8 | 4 | 5.1 | 54-5/8 | 55-1/2 | 2936 | 71.3 | 53.0 | 48.8 |
| SSTM5-04340-4 | - | 43403 | 72503 | 1036 | 41729 | 66835 | 955 | 38244 | 59046 | 844 | 5 | 1160 | 30 | 89 | 6 | 4 | 5.1 | 66-5/8 | 67-1/2 | 3033 | 77.4 | 59.1 | 54.9 |
| SSTM5-04367-4 | - | 43672 | 52583 | 751 | 39855 | 46243 | 661 | 35363 | 38012 | 543 | 2 | 1160 | 30 | 86 | 8 | 4 | 6.8 | 66-5/8 | 67-1/2 | 3099 | 89.6 | 65.2 | 61.0 |
| SSTM5-04450-3 | - | 44500 | 70491 | 1007 | 41634 | 64480 | 921 | 38780 | 57086 | 816 | 5 | 1160 | 30 | 89 | 8 | 3 | 6.8 | 66-5/8 | 67-1/2 | 3188 | 89.6 | 65.2 | 61.0 |
| SSTM5-04617-4 | - | 46174 | 78221 | 1117 | 43825 | 71950 | 1028 | 40958 | 64656 | 924 | 5 | 1160 | 34 | 92 | 6 | 4 | 5.1 | 66-5/8 | 67-1/2 | 3033 | 77.4 | 59.1 | 54.9 |



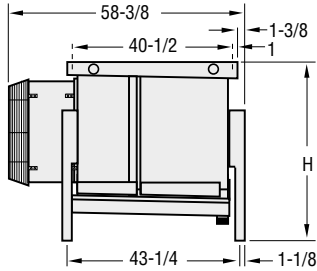
STAINLESS STEEL

E V A P O R A T O R S

Engineering Data

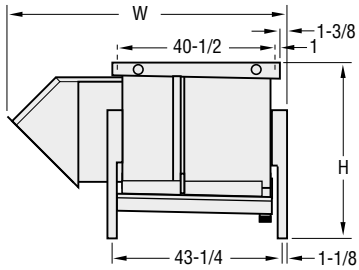
SSTM AIR DISCHARGE OPTIONS

LONG THROW ADAPTERS



Long throw adapters add 12" to the standard unit width. SSTM Models with long throw adapters have the same length and height dimensions as standard models.

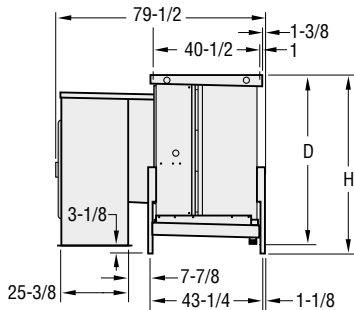
45° DOWNBLOW



SSTM Models with 45° downblow option have the same length and height dimensions as standard models.

| Model No. | Height | Width |
|---------------------------------|--------|--------|
| | H | W |
| Standard unit height identifies | 44-3/4 | 70-1/2 |
| 45° Downblow | 52-3/4 | 75-1/2 |
| unit width | 55-1/2 | 75-1/2 |
| | 67-1/2 | 79 |

90° PENTHOUSE



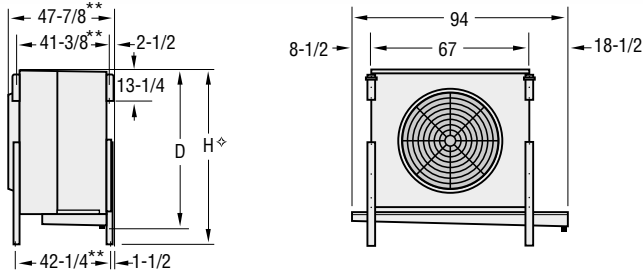
The 90° penthouse option is only available on units with an overall height of 67-1/2 inches. Consult the data table below for details.

SSTM Models with 90° penthouse option have the same length and height dimensions as standard models.

90° PENTHOUSE PHYSICAL DATA

| Model No. | 90° Penthouse | | | |
|-----------|---------------|--------|--------------|--------|
| | Length | Width | Height (in.) | |
| | | | D | H |
| SSTM1 | 64-5/8 | 79-1/2 | 63-1/8 | 67-1/2 |
| SSTM2 | 106-5/8 | 79-1/2 | 64 | 67-1/2 |
| SSTM3 | 148-5/8 | 79-1/2 | 64-7/8 | 67-1/2 |
| SSTM4 | 190-5/8 | 79-1/2 | 65-3/4 | 67-1/2 |
| SSTM5 | 232-5/8 | 79-1/2 | 66-5/8 | 67-1/2 |

Engineering Data



** Add 4-1/8" for 10 row deep coils.
 † Water defrost adds 5-3/8" to height.

SSTL PRODUCT COOLERS — 1 FAN MODELS

| Model No. | 0" ESP | | | 1/4" ESP | | | 1/2" ESP | | | Fan Data | | | | Coil Data | | Height | | Shipping Wt. (lbs.) | | |
|---------------|---------------------|---------|---------------|----------------|---------------------|---------|---------------|----------------|---------------------|----------|---------------|----------------|----------|-----------|-----------|--------------|--------|---------------------|------|------|
| | Capacity* (Btuh/TD) | | Airflow (CFM) | Velocity (FPM) | Capacity* (Btuh/TD) | | Airflow (CFM) | Velocity (FPM) | Capacity* (Btuh/TD) | | Airflow (CFM) | Velocity (FPM) | Fan Data | | Rows Deep | Volume (ft³) | Height | | | |
| | Wet | Frosted | | | Frosted | Frosted | | | Frosted | Frosted | | | Motor Hp | RPM | | | Dia. | | dBA† | D |
| SSTL1-00897-3 | 9870 | 8973 | 13958 | 625 | 7700 | 11375 | 509 | - | - | - | 1-1/2 | 870 | 42 | 77 | 6 | 3 | 3.0 | 60-1/8 | 65 | 1076 |
| SSTL1-00968-3 | - | 9678 | 16188 | 725 | 8564 | 13371 | 599 | 6846 | 9560 | 428 | 2 | 870 | 42 | 78 | 6 | 3 | 3.0 | 60-1/8 | 65 | 1115 |
| SSTL1-01014-3 | 11156 | 10142 | 15392 | 551 | 8768 | 12384 | 444 | - | - | - | 1-1/2 | 870 | 42 | 77 | 6 | 3 | 3.8 | 72-1/8 | 77 | 1226 |
| SSTL1-01053-4 | 11582 | 10529 | 13956 | 625 | 8982 | 11019 | 493 | - | - | - | 1-1/2 | 870 | 42 | 77 | 6 | 4 | 3.0 | 60-1/8 | 65 | 1130 |
| SSTL1-01053-3 | - | 10530 | 18620 | 834 | 9813 | 16574 | 742 | 8951 | 14324 | 641 | 3 | 1160 | 42 | 88 | 6 | 3 | 3.0 | 60-1/8 | 65 | 1078 |
| SSTL1-01060-3 | 11506 | 10605 | 13535 | 606 | 8961 | 10643 | 477 | - | - | - | 1-1/2 | 870 | 42 | 77 | 8 | 3 | 4.0 | 60-1/8 | 65 | 1224 |
| SSTL1-01099-4 | - | 10987 | 14962 | 670 | 9794 | 12524 | 561 | 8175 | 9616 | 431 | 2 | 1160 | 42 | 84 | 6 | 4 | 3.0 | 60-1/8 | 65 | 1114 |
| SSTL1-01101-3 | 12108 | 11007 | 17431 | 624 | 9791 | 14586 | 522 | 7797 | 10450 | 374 | 2 | 870 | 42 | 78 | 6 | 3 | 3.8 | 72-1/8 | 77 | 1266 |
| SSTL1-01109-3 | 12198 | 11089 | 17448 | 625 | 10150 | 15404 | 552 | 9082 | 13040 | 467 | 3 | 1160 | 42 | 86 | 6 | 3 | 3.8 | 72-1/8 | 77 | 1229 |
| SSTL1-01111-3 | 12221 | 11110 | 16106 | 481 | 9564 | 12940 | 386 | - | - | - | 1-1/2 | 870 | 42 | 77 | 6 | 3 | 4.6 | 84-1/8 | 89 | 1377 |
| SSTL1-01139-4 | - | 11390 | 15772 | 706 | 10027 | 12979 | 581 | 7960 | 9260 | 415 | 2 | 870 | 42 | 78 | 6 | 4 | 3.0 | 60-1/8 | 65 | 1169 |
| SSTL1-01153-3 | - | 11532 | 21642 | 969 | 10808 | 19414 | 869 | 10016 | 17132 | 767 | 5 | 1160 | 42 | 85 | 6 | 3 | 3.0 | 60-1/8 | 65 | 1107 |
| SSTL1-01179-3 | 12620 | 11795 | 12862 | 576 | 9834 | 10037 | 449 | - | - | - | 1-1/2 | 870 | 42 | 77 | 10 | 3 | 5.1 | 60-1/8 | 65 | 1373 |
| SSTL1-01196-4 | 13151 | 11955 | 15087 | 540 | 10288 | 12135 | 435 | - | - | - | 1-1/2 | 870 | 42 | 77 | 6 | 4 | 3.8 | 72-1/8 | 77 | 1294 |
| SSTL1-01197-3 | - | 11974 | 19905 | 713 | 11140 | 17780 | 637 | 10100 | 15289 | 548 | 3 | 1160 | 42 | 88 | 6 | 3 | 3.8 | 72-1/8 | 77 | 1229 |
| SSTL1-01210-3 | 13313 | 12103 | 18287 | 546 | 10797 | 15434 | 461 | - | - | - | 2 | 870 | 42 | 78 | 6 | 3 | 4.6 | 84-1/8 | 89 | 1416 |
| SSTL1-01213-4 | 13164 | 12133 | 13115 | 587 | 10165 | 10257 | 459 | - | - | - | 1-1/2 | 870 | 42 | 77 | 8 | 4 | 4.0 | 60-1/8 | 65 | 1297 |
| SSTL1-01236-4 | - | 12357 | 17988 | 805 | 11075 | 15119 | 677 | 9356 | 11703 | 524 | 3 | 870 | 42 | 79 | 6 | 4 | 3.0 | 60-1/8 | 65 | 1180 |
| SSTL1-01245-4 | - | 12445 | 18178 | 814 | 11557 | 16160 | 724 | 10534 | 13988 | 626 | 3 | 1160 | 42 | 88 | 6 | 4 | 3.0 | 60-1/8 | 65 | 1133 |
| SSTL1-01248-3 | - | 12482 | 17337 | 776 | 11095 | 14518 | 650 | 9337 | 11291 | 506 | 3 | 870 | 42 | 79 | 8 | 3 | 4.0 | 60-1/8 | 65 | 1274 |
| SSTL1-01251-3 | - | 12511 | 24913 | 1116 | 11946 | 23128 | 1036 | 11388 | 21201 | 949 | 7-1/2 | 1160 | 42 | 88 | 6 | 3 | 3.0 | 60-1/8 | 65 | 1104 |
| SSTL1-01264-3 | - | 12640 | 17689 | 792 | 11687 | 15699 | 703 | 10579 | 13527 | 606 | 3 | 1160 | 42 | 88 | 8 | 3 | 4.0 | 60-1/8 | 65 | 1227 |
| SSTL1-01278-3 | 13672 | 12778 | 13958 | 625 | 11065 | 11789 | 528 | 8640 | 8450 | 378 | 2 | 870 | 42 | 78 | 10 | 3 | 5.1 | 60-1/8 | 65 | 1412 |
| SSTL1-01284-3 | - | 12836 | 22305 | 799 | 11529 | 18770 | 672 | 9574 | 14107 | 505 | 3 | 870 | 48 | 82 | 6 | 3 | 3.8 | 72-1/8 | 77 | 1283 |
| SSTL1-01297-4 | 14272 | 12975 | 17071 | 611 | 11475 | 14219 | 509 | 7611 | 10177 | 365 | 2 | 870 | 42 | 78 | 6 | 4 | 3.8 | 72-1/8 | 77 | 1334 |
| SSTL1-01310-4 | 14415 | 13104 | 15848 | 473 | 11229 | 12736 | 380 | - | - | - | 1-1/2 | 870 | 42 | 77 | 6 | 4 | 4.6 | 84-1/8 | 89 | 1459 |
| SSTL1-01311-3 | 14224 | 13109 | 16672 | 597 | 11512 | 13829 | 495 | 9042 | 9892 | 354 | 2 | 870 | 42 | 78 | 8 | 3 | 5.1 | 72-1/8 | 77 | 1451 |
| SSTL1-01316-4 | - | 13160 | 14752 | 661 | 11436 | 12078 | 541 | 8941 | 8631 | 386 | 2 | 870 | 42 | 78 | 8 | 4 | 4.0 | 60-1/8 | 65 | 1336 |
| SSTL1-01320-4 | 14121 | 13197 | 12420 | 556 | 10890 | 9650 | 432 | - | - | - | 1-1/2 | 870 | 42 | 77 | 10 | 4 | 5.1 | 60-1/8 | 65 | 1464 |
| SSTL1-01320-3 | - | 13204 | 23410 | 839 | 12421 | 21138 | 757 | 11429 | 18511 | 663 | 5 | 1160 | 42 | 85 | 6 | 3 | 3.8 | 72-1/8 | 77 | 1258 |
| SSTL1-01337-3 | 14706 | 13369 | 20937 | 625 | 12145 | 18401 | 549 | 10207 | 14214 | 424 | 3 | 870 | 42 | 79 | 6 | 3 | 4.6 | 84-1/8 | 89 | 1427 |

* Capacity based on R717 refrigerant with either recirculated or flooded feed.

† Sound ratings are based on 6 feet from the unit and under free field conditions.



SST

STAINLESS STEEL EVAPORATORS

Engineering Data

SSTL PRODUCT COOLERS — 1 FAN MODELS

| Model No. | 0" ESP | | | | 1/4" ESP | | | 1/2" ESP | | | Fan Data | | | | Coil Data | | | Height | | Shipping Wt. (lbs.) |
|---------------|------------------------|---------|------------------|-------------------|------------------------|------------------|-------------------|------------------------|------------------|-------------------|-------------|------|------|------|--------------|-----|-----------------|--------|----|------------------------|
| | Capacity* (Btuh/TD) | | Airflow (CFM) | Velocity (FPM) | Capacity* (Btuh/TD) | Airflow (CFM) | Velocity (FPM) | Capacity* (Btuh/TD) | Airflow (CFM) | Velocity (FPM) | Motor Hp | RPM | Dia. | dBa† | Rows Deep | Fpi | Volume (ft³) | D | H | |
| | Wet | Frosted | | | | | | | | | | | | | | | | | | |
| SSTL1-01346-3 | 14405 | 13463 | 14173 | 508 | 11307 | 11219 | 402 | - | - | - | 1-1/2 | 870 | 42 | 77 | 10 | 3 | 6.3 | 72-1/8 | 77 | 1598 |
| SSTL1-01355-3 | 14703 | 13551 | 17448 | 625 | 12115 | 14878 | 533 | 10336 | 11884 | 426 | 3 | 1160 | 42 | 86 | 8 | 3 | 5.1 | 72-1/8 | 77 | 1413 |
| SSTL1-01357-4 | - | 13571 | 20989 | 940 | 12720 | 18860 | 844 | 11782 | 16664 | 746 | 5 | 1160 | 42 | 85 | 6 | 4 | 3.0 | 60-1/8 | 65 | 1161 |
| SSTL1-01378-3 | - | 13775 | 20273 | 908 | 12884 | 18246 | 817 | 11915 | 16168 | 724 | 5 | 1160 | 42 | 85 | 8 | 3 | 4.0 | 60-1/8 | 65 | 1255 |
| SSTL1-01384-4 | 15014 | 13838 | 14404 | 516 | 11670 | 11427 | 409 | - | - | - | 1-1/2 | 870 | 42 | 77 | 8 | 4 | 5.1 | 72-1/8 | 77 | 1503 |
| SSTL1-01416-4 | - | 14157 | 19543 | 700 | 13147 | 17442 | 625 | 11901 | 15008 | 538 | 3 | 1160 | 42 | 88 | 6 | 4 | 3.8 | 72-1/8 | 77 | 1297 |
| SSTL1-01429-3 | - | 14285 | 26627 | 954 | 13762 | 24994 | 895 | 13055 | 22928 | 821 | 7-1/2 | 1160 | 42 | 88 | 6 | 3 | 3.8 | 72-1/8 | 77 | 1255 |
| SSTL1-01429-4 | 15719 | 14290 | 17982 | 537 | 12677 | 15126 | 452 | - | - | - | 2 | 870 | 42 | 78 | 6 | 4 | 4.6 | 84-1/8 | 89 | 1498 |
| SSTL1-01430-4 | 15297 | 14296 | 13850 | 620 | 12272 | 11285 | 505 | 7778 | 8125 | 364 | 2 | 870 | 42 | 78 | 10 | 4 | 5.1 | 60-1/8 | 65 | 1503 |
| SSTL1-01431-4 | - | 14299 | 16695 | 748 | 12641 | 13934 | 624 | 10601 | 10867 | 487 | 3 | 870 | 42 | 79 | 8 | 4 | 4.0 | 60-1/8 | 65 | 1347 |
| SSTL1-01436-3 | - | 14365 | 23910 | 714 | 12908 | 20256 | 605 | 10715 | 15263 | 456 | 3 | 870 | 48 | 82 | 6 | 3 | 4.6 | 84-1/8 | 89 | 1434 |
| SSTL1-01437-3 | - | 14375 | 19128 | 685 | 13300 | 17049 | 611 | 12010 | 14694 | 526 | 3 | 1160 | 42 | 88 | 8 | 3 | 5.1 | 72-1/8 | 77 | 1415 |
| SSTL1-01443-3 | 15651 | 14425 | 17637 | 526 | 12727 | 14781 | 441 | - | - | - | 2 | 870 | 42 | 78 | 8 | 3 | 6.1 | 84-1/8 | 89 | 1639 |
| SSTL1-01457-4 | - | 14567 | 17160 | 768 | 13450 | 15251 | 683 | 12070 | 13039 | 584 | 3 | 1160 | 42 | 88 | 8 | 4 | 4.0 | 60-1/8 | 65 | 1300 |
| SSTL1-01460-3 | - | 14600 | 24517 | 732 | 13776 | 22366 | 668 | 12615 | 19503 | 582 | 5 | 1160 | 42 | 85 | 6 | 3 | 4.6 | 84-1/8 | 89 | 1408 |
| SSTL1-01478-4 | - | 14779 | 24280 | 1087 | 14091 | 22484 | 1007 | 13423 | 20624 | 923 | 7-1/2 | 1160 | 42 | 88 | 6 | 4 | 3.0 | 60-1/8 | 65 | 1159 |
| SSTL1-01497-3 | - | 14972 | 28875 | 1034 | 14156 | 26268 | 941 | 12913 | 22526 | 807 | 7-1/2 | 870 | 48 | 86 | 6 | 3 | 3.8 | 72-1/8 | 77 | 1421 |
| SSTL1-01508-4 | 16363 | 15081 | 16264 | 583 | 13144 | 13439 | 481 | - | - | - | 2 | 870 | 42 | 78 | 8 | 4 | 5.1 | 72-1/8 | 77 | 1542 |
| SSTL1-01508-3 | - | 15082 | 23481 | 1051 | 14379 | 21769 | 975 | 13650 | 19991 | 895 | 7-1/2 | 1160 | 42 | 88 | 8 | 3 | 4.0 | 60-1/8 | 65 | 1253 |
| SSTL1-01509-4 | - | 15089 | 21599 | 774 | 13461 | 18089 | 648 | 11160 | 13655 | 489 | 3 | 870 | 48 | 82 | 6 | 4 | 3.8 | 72-1/8 | 77 | 1351 |
| SSTL1-01523-3 | - | 15226 | 20840 | 747 | 13469 | 17373 | 622 | 11122 | 13172 | 472 | 3 | 870 | 48 | 82 | 8 | 3 | 5.1 | 72-1/8 | 77 | 1469 |
| SSTL1-01549-3 | - | 15489 | 19148 | 857 | 14466 | 17296 | 774 | 13344 | 15366 | 688 | 5 | 1160 | 42 | 85 | 10 | 3 | 5.1 | 60-1/8 | 65 | 1404 |
| SSTL1-01556-4 | 17119 | 15562 | 20471 | 611 | 14412 | 18253 | 545 | 13013 | 15710 | 469 | 3 | 1160 | 42 | 88 | 6 | 4 | 4.6 | 84-1/8 | 89 | 1462 |
| SSTL1-01561-3 | 16702 | 15609 | 17431 | 624 | 14205 | 15289 | 548 | 12328 | 12593 | 451 | 3 | 870 | 42 | 81 | 10 | 3 | 6.3 | 72-1/8 | 77 | 1660 |
| SSTL1-01564-4 | - | 15644 | 22953 | 822 | 14639 | 20629 | 739 | 13467 | 18102 | 648 | 5 | 1160 | 42 | 85 | 6 | 4 | 3.8 | 72-1/8 | 77 | 1326 |
| SSTL1-01576-3 | - | 15761 | 27760 | 829 | 15168 | 26044 | 777 | 14453 | 24137 | 721 | 7-1/2 | 1160 | 42 | 88 | 6 | 3 | 4.6 | 84-1/8 | 89 | 1406 |
| SSTL1-01578-4 | 17357 | 15780 | 20913 | 624 | 14281 | 18007 | 538 | 11937 | 13883 | 414 | 3 | 870 | 42 | 79 | 6 | 4 | 4.6 | 84-1/8 | 89 | 1509 |
| SSTL1-01587-4 | - | 15868 | 19578 | 877 | 14820 | 17659 | 791 | 13697 | 15669 | 702 | 5 | 1160 | 42 | 85 | 8 | 4 | 4.0 | 60-1/8 | 65 | 1328 |
| SSTL1-01594-3 | - | 15937 | 22422 | 803 | 14829 | 20076 | 719 | 13617 | 17657 | 633 | 5 | 1160 | 42 | 85 | 8 | 3 | 5.1 | 72-1/8 | 77 | 1443 |
| SSTL1-01601-3 | 17371 | 16010 | 20496 | 612 | 14387 | 17584 | 525 | 11936 | 13520 | 404 | 3 | 870 | 42 | 79 | 8 | 3 | 6.1 | 84-1/8 | 89 | 1650 |
| SSTL1-01604-4 | - | 16037 | 16265 | 728 | 14759 | 14491 | 649 | 13045 | 12244 | 548 | 3 | 1160 | 42 | 88 | 10 | 4 | 5.1 | 60-1/8 | 65 | 1466 |
| SSTL1-01618-3 | 17315 | 16182 | 17059 | 509 | 14126 | 14203 | 424 | - | - | - | 2 | 870 | 42 | 78 | 10 | 3 | 7.6 | 84-1/8 | 89 | 1862 |
| SSTL1-01622-3 | - | 16225 | 18434 | 660 | 14932 | 16396 | 587 | 13447 | 14174 | 508 | 3 | 1160 | 42 | 88 | 10 | 3 | 6.3 | 72-1/8 | 77 | 1601 |
| SSTL1-01660-4 | 18016 | 16604 | 17276 | 516 | 14539 | 14420 | 430 | - | - | - | 2 | 870 | 42 | 78 | 8 | 4 | 6.1 | 84-1/8 | 89 | 1748 |
| SSTL1-01661-4 | - | 16606 | 18698 | 670 | 15309 | 16637 | 596 | 13803 | 14372 | 515 | 3 | 1160 | 42 | 88 | 8 | 4 | 5.1 | 72-1/8 | 77 | 1506 |
| SSTL1-01680-3 | - | 16804 | 21699 | 972 | 15932 | 20016 | 896 | 14790 | 17874 | 800 | 7-1/2 | 1160 | 42 | 88 | 10 | 3 | 5.1 | 60-1/8 | 65 | 1404 |
| SSTL1-01685-3 | - | 16850 | 31062 | 927 | 15875 | 28202 | 842 | 14664 | 24710 | 738 | 7-1/2 | 870 | 48 | 86 | 6 | 3 | 4.6 | 84-1/8 | 89 | 1572 |
| SSTL1-01693-4 | - | 16932 | 26143 | 936 | 16286 | 24533 | 879 | 15419 | 22428 | 803 | 7-1/2 | 1160 | 42 | 88 | 6 | 4 | 3.8 | 72-1/8 | 77 | 1323 |
| SSTL1-01695-4 | - | 16951 | 23339 | 697 | 15184 | 19744 | 589 | 12499 | 14826 | 443 | 3 | 870 | 48 | 82 | 6 | 4 | 4.6 | 84-1/8 | 89 | 1515 |
| SSTL1-01697-3 | - | 16973 | 19646 | 704 | 14847 | 16266 | 583 | 12193 | 12409 | 445 | 3 | 870 | 48 | 82 | 10 | 3 | 6.3 | 72-1/8 | 77 | 1654 |
| SSTL1-01715-3 | - | 17152 | 22711 | 678 | 15269 | 19173 | 572 | 12474 | 14374 | 429 | 3 | 870 | 48 | 82 | 8 | 3 | 6.1 | 84-1/8 | 89 | 1657 |
| SSTL1-01729-4 | - | 17289 | 24120 | 720 | 16257 | 21919 | 654 | 14878 | 19146 | 572 | 5 | 1160 | 42 | 85 | 6 | 4 | 4.6 | 84-1/8 | 89 | 1490 |
| SSTL1-01733-3 | - | 17330 | 25589 | 917 | 16583 | 23896 | 856 | 15679 | 21873 | 784 | 7-1/2 | 1160 | 42 | 88 | 8 | 3 | 5.1 | 72-1/8 | 77 | 1441 |
| SSTL1-01743-4 | - | 17431 | 22712 | 1017 | 16627 | 21079 | 944 | 15728 | 19369 | 867 | 7-1/2 | 1160 | 42 | 88 | 8 | 4 | 4.0 | 60-1/8 | 65 | 1325 |

* Capacity based on R717 refrigerant with either recirculated or flooded feed.

† Sound ratings are based on 6 feet from the unit and under free field conditions.

Engineering Data

SSTL PRODUCT COOLERS — 1 FAN MODELS

| Model No. | 0" ESP | | | | 1/4" ESP | | | 1/2" ESP | | | Fan Data | | | | Coil Data | | | Height | | Shipping Wt. (lbs.) |
|---------------|---------------------|---------|---------------|----------------|-----------------------------|---------------|----------------|-----------------------------|---------------|----------------|----------|------|------|------|-----------|-----|--------------|-----------------|----|---------------------|
| | Capacity* (Btuh/TD) | | Airflow (CFM) | Velocity (FPM) | Capacity* (Btuh/TD) Frosted | Airflow (CFM) | Velocity (FPM) | Capacity* (Btuh/TD) Frosted | Airflow (CFM) | Velocity (FPM) | Motor Hp | RPM | Dia. | dBA† | Rows Deep | fpi | Volume (ft³) | Dimension (in.) | | |
| | Wet | Frosted | | | | | | | | | | | | | | | | D | H | |
| SSTL1-01745-4 | - | 17449 | 20095 | 720 | 15337 | 16683 | 598 | 12609 | 12690 | 455 | 3 | 870 | 48 | 82 | 8 | 4 | 5.1 | 72-1/8 | 77 | 1559 |
| SSTL1-01749-4 | - | 17490 | 18437 | 826 | 16310 | 16681 | 747 | 15015 | 14844 | 665 | 5 | 1160 | 42 | 85 | 10 | 4 | 5.1 | 60-1/8 | 65 | 1495 |
| SSTL1-01760-3 | - | 17600 | 23676 | 707 | 16466 | 21430 | 640 | 15035 | 18745 | 560 | 5 | 1160 | 42 | 85 | 8 | 3 | 6.1 | 84-1/8 | 89 | 1631 |
| SSTL1-01764-4 | 18877 | 17642 | 16995 | 609 | 15929 | 14828 | 531 | 13766 | 12237 | 438 | 3 | 870 | 42 | 81 | 10 | 4 | 6.3 | 72-1/8 | 77 | 1774 |
| SSTL1-01765-4 | - | 17650 | 28023 | 1004 | 16578 | 25257 | 905 | 15106 | 21697 | 777 | 7-1/2 | 870 | 48 | 86 | 6 | 4 | 3.8 | 72-1/8 | 77 | 1489 |
| SSTL1-01795-3 | - | 17949 | 21370 | 765 | 16667 | 19183 | 687 | 15277 | 16934 | 607 | 5 | 1160 | 42 | 85 | 10 | 3 | 6.3 | 72-1/8 | 77 | 1629 |
| SSTL1-01797-3 | - | 17969 | 27083 | 970 | 16710 | 24175 | 866 | 15181 | 20815 | 746 | 7-1/2 | 870 | 48 | 86 | 8 | 3 | 5.1 | 72-1/8 | 77 | 1606 |
| SSTL1-01804-3 | 19303 | 18041 | 19800 | 591 | 16056 | 16888 | 504 | 13162 | 12932 | 386 | 3 | 870 | 42 | 79 | 10 | 3 | 7.6 | 84-1/8 | 89 | 1873 |
| SSTL1-01822-4 | 19494 | 18219 | 16662 | 497 | 15758 | 13818 | 412 | - | - | - | 2 | 870 | 42 | 78 | 10 | 4 | 7.6 | 84-1/8 | 89 | 1999 |
| SSTL1-01825-4 | 19804 | 18253 | 19757 | 590 | 16837 | 17644 | 527 | 15090 | 15166 | 453 | 3 | 1160 | 42 | 88 | 8 | 4 | 6.1 | 84-1/8 | 89 | 1712 |
| SSTL1-01838-4 | - | 18381 | 21770 | 780 | 17084 | 19522 | 699 | 15669 | 17205 | 616 | 5 | 1160 | 42 | 85 | 8 | 4 | 5.1 | 72-1/8 | 77 | 1534 |
| SSTL1-01846-4 | 20027 | 18458 | 20064 | 599 | 16498 | 17150 | 512 | 13575 | 13154 | 393 | 3 | 870 | 42 | 79 | 8 | 4 | 6.1 | 84-1/8 | 89 | 1759 |
| SSTL1-01899-4 | - | 18988 | 18816 | 674 | 16516 | 15570 | 558 | 13481 | 11914 | 427 | 3 | 870 | 48 | 82 | 10 | 4 | 6.3 | 72-1/8 | 77 | 1768 |
| SSTL1-01903-4 | - | 19030 | 20890 | 935 | 17947 | 19160 | 858 | 16599 | 17106 | 766 | 7-1/2 | 1160 | 42 | 88 | 10 | 4 | 5.1 | 60-1/8 | 65 | 1495 |
| SSTL1-01913-3 | - | 19133 | 26915 | 803 | 18380 | 25246 | 754 | 17370 | 23218 | 693 | 7-1/2 | 1160 | 42 | 88 | 8 | 3 | 6.1 | 84-1/8 | 89 | 1629 |
| SSTL1-01916-3 | 20498 | 19157 | 20937 | 625 | 16863 | 18076 | 540 | 13702 | 13640 | 407 | 3 | 870 | 48 | 82 | 10 | 3 | 7.6 | 84-1/8 | 89 | 1880 |
| SSTL1-01968-4 | - | 19684 | 22013 | 657 | 17399 | 18482 | 552 | 14153 | 13911 | 415 | 3 | 870 | 48 | 82 | 8 | 4 | 6.1 | 84-1/8 | 89 | 1765 |
| SSTL1-01976-3 | - | 19761 | 24677 | 884 | 18774 | 22861 | 819 | 17709 | 20962 | 751 | 7-1/2 | 1160 | 42 | 88 | 10 | 3 | 6.3 | 72-1/8 | 77 | 1627 |
| SSTL1-01990-4 | - | 19902 | 30276 | 904 | 18761 | 27518 | 821 | 17180 | 23902 | 714 | 7-1/2 | 870 | 48 | 86 | 6 | 4 | 4.6 | 84-1/8 | 89 | 1653 |
| SSTL1-01996-3 | - | 19960 | 22939 | 685 | 18522 | 20619 | 615 | 16870 | 18085 | 540 | 5 | 1160 | 42 | 85 | 10 | 3 | 7.6 | 84-1/8 | 89 | 1854 |
| SSTL1-02013-4 | - | 20130 | 25031 | 897 | 19186 | 23255 | 833 | 18096 | 21313 | 763 | 7-1/2 | 1160 | 42 | 88 | 8 | 4 | 5.1 | 72-1/8 | 77 | 1532 |
| SSTL1-02014-3 | - | 20143 | 25379 | 909 | 18590 | 22532 | 807 | 16830 | 19460 | 697 | 7-1/2 | 870 | 48 | 86 | 10 | 3 | 6.3 | 72-1/8 | 77 | 1792 |
| SSTL1-02026-3 | - | 20261 | 29401 | 878 | 19050 | 26762 | 799 | 17275 | 23036 | 688 | 7-1/2 | 870 | 48 | 86 | 8 | 3 | 6.1 | 84-1/8 | 89 | 1794 |
| SSTL1-02028-4 | - | 20280 | 20681 | 741 | 18799 | 18595 | 666 | 17198 | 16447 | 589 | 5 | 1160 | 42 | 85 | 10 | 4 | 6.3 | 72-1/8 | 77 | 1742 |
| SSTL1-02033-4 | 21753 | 20330 | 19291 | 576 | 17923 | 16337 | 488 | 14604 | 12543 | 374 | 3 | 870 | 42 | 79 | 10 | 4 | 7.6 | 84-1/8 | 89 | 2009 |
| SSTL1-02039-4 | - | 20391 | 23224 | 693 | 18982 | 20928 | 625 | 17300 | 18332 | 547 | 5 | 1160 | 42 | 85 | 8 | 4 | 6.1 | 84-1/8 | 89 | 1740 |
| SSTL1-02069-4 | - | 20685 | 26106 | 935 | 19126 | 23149 | 829 | 17347 | 19973 | 715 | 7-1/2 | 870 | 48 | 86 | 8 | 4 | 5.1 | 72-1/8 | 77 | 1697 |
| SSTL1-02150-4 | 23009 | 21504 | 20834 | 622 | 18767 | 17366 | 518 | 15158 | 13152 | 393 | 3 | 870 | 48 | 82 | 10 | 4 | 7.6 | 84-1/8 | 89 | 2016 |
| SSTL1-02182-3 | - | 21820 | 26130 | 780 | 20893 | 24520 | 732 | 19639 | 22416 | 669 | 7-1/2 | 1160 | 42 | 88 | 10 | 3 | 7.6 | 84-1/8 | 89 | 1852 |
| SSTL1-02224-4 | - | 22236 | 26433 | 789 | 21324 | 24807 | 741 | 20080 | 22720 | 678 | 7-1/2 | 1160 | 42 | 88 | 8 | 4 | 6.1 | 84-1/8 | 89 | 1738 |
| SSTL1-02262-4 | - | 22618 | 24197 | 867 | 20831 | 21503 | 770 | 18805 | 18615 | 667 | 7-1/2 | 870 | 48 | 86 | 10 | 4 | 6.3 | 72-1/8 | 77 | 1906 |
| SSTL1-02265-4 | - | 22647 | 22419 | 669 | 20896 | 20073 | 599 | 18998 | 17650 | 527 | 5 | 1160 | 42 | 85 | 10 | 4 | 7.6 | 84-1/8 | 89 | 1990 |
| SSTL1-02287-3 | - | 22872 | 28003 | 836 | 21296 | 25234 | 753 | 19185 | 21682 | 647 | 7-1/2 | 870 | 48 | 86 | 10 | 3 | 7.6 | 84-1/8 | 89 | 2017 |
| SSTL1-02339-4 | - | 23386 | 28538 | 852 | 21901 | 25861 | 772 | 19757 | 22189 | 662 | 7-1/2 | 870 | 48 | 86 | 8 | 4 | 6.1 | 84-1/8 | 89 | 1903 |
| SSTL1-02487-4 | - | 24873 | 25591 | 764 | 23683 | 23900 | 713 | 22234 | 21866 | 653 | 7-1/2 | 1160 | 42 | 88 | 10 | 4 | 7.6 | 84-1/8 | 89 | 1988 |
| SSTL1-02588-4 | - | 25879 | 27099 | 809 | 23884 | 24180 | 722 | 21454 | 20816 | 621 | 7-1/2 | 870 | 48 | 86 | 10 | 4 | 7.6 | 84-1/8 | 89 | 2153 |

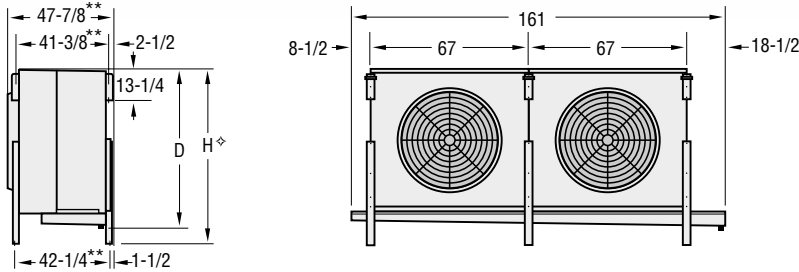
* Capacity based on R717 refrigerant with either recirculated or flooded feed.

† Sound ratings are based on 6 feet from the unit and under free field conditions.



STAINLESS STEEL EVAPORATORS

Engineering Data



** Add 4-1/8" for 10 row deep coils.
 † Water defrost adds 5-3/8" to height.

SSTL PRODUCT COOLERS — 2 FAN MODELS

| Model No. | 0" ESP | | | | 1/4" ESP | | | 1/2" ESP | | | Fan Data | | | | Coil Data | | | Height | | Shipping Wt. (lbs.) |
|---------------|---------------------|---------|---------------|----------------|---------------------|---------------|----------------|---------------------|---------------|----------------|----------|------|------|------|-----------|-----|--------------|--------|----|---------------------|
| | Capacity* (Btuh/TD) | | Airflow (CFM) | Velocity (FPM) | Capacity* (Btuh/TD) | Airflow (CFM) | Velocity (FPM) | Capacity* (Btuh/TD) | Airflow (CFM) | Velocity (FPM) | Motor Hp | RPM | Dia. | dBA† | Rows Deep | fpi | Volume (ft³) | D | H | |
| | Wet | Frosted | | | | | | | | | | | | | | | | | | |
| SSTL2-01791-3 | 19704 | 17913 | 27917 | 625 | 15404 | 22760 | 510 | - | - | - | 1-1/2 | 870 | 42 | 80 | 6 | 3 | 5.9 | 61-1/2 | 65 | 1949 |
| SSTL2-01936-3 | - | 19363 | 32394 | 725 | 17132 | 26754 | 599 | 13692 | 19122 | 428 | 2 | 870 | 42 | 81 | 6 | 3 | 5.9 | 61-1/2 | 65 | 2027 |
| SSTL2-02029-3 | 22321 | 20292 | 30802 | 552 | 17526 | 24747 | 443 | - | - | - | 1-1/2 | 870 | 42 | 80 | 6 | 3 | 7.4 | 73-1/2 | 77 | 2228 |
| SSTL2-02106-4 | 23165 | 21059 | 27913 | 625 | 17969 | 22047 | 494 | - | - | - | 1-1/2 | 870 | 42 | 80 | 6 | 4 | 5.9 | 61-1/2 | 65 | 2058 |
| SSTL2-02110-3 | - | 21096 | 37245 | 834 | 19628 | 33151 | 742 | 17898 | 28636 | 641 | 3 | 1160 | 42 | 91 | 6 | 3 | 5.9 | 61-1/2 | 65 | 1955 |
| SSTL2-02121-3 | 23014 | 21211 | 27073 | 606 | 17924 | 21289 | 477 | - | - | - | 1-1/2 | 870 | 42 | 80 | 8 | 3 | 7.9 | 61-1/2 | 65 | 2236 |
| SSTL2-02202-3 | 24219 | 22017 | 34867 | 624 | 19577 | 29163 | 522 | 15589 | 20889 | 374 | 2 | 870 | 42 | 81 | 6 | 3 | 7.4 | 73-1/2 | 77 | 2306 |
| SSTL2-02202-4 | - | 22021 | 29926 | 670 | 19584 | 25041 | 561 | 16347 | 19228 | 430 | 2 | 1160 | 42 | 87 | 6 | 4 | 5.9 | 61-1/2 | 65 | 2026 |
| SSTL2-02219-3 | 24405 | 22186 | 34896 | 625 | 20293 | 30791 | 551 | 18156 | 26062 | 467 | 3 | 1160 | 42 | 89 | 6 | 3 | 7.4 | 73-1/2 | 77 | 2233 |
| SSTL2-02223-3 | 24450 | 22228 | 32230 | 481 | 19119 | 25863 | 386 | - | - | - | 1-1/2 | 870 | 42 | 80 | 6 | 3 | 8.9 | 85-1/2 | 89 | 2506 |
| SSTL2-02279-4 | - | 22786 | 31560 | 707 | 20056 | 25959 | 581 | 15926 | 18531 | 415 | 2 | 870 | 42 | 81 | 6 | 4 | 5.9 | 61-1/2 | 65 | 2136 |
| SSTL2-02306-3 | - | 23065 | 43286 | 969 | 21621 | 38842 | 870 | 20030 | 34259 | 767 | 5 | 1160 | 42 | 88 | 6 | 3 | 5.9 | 61-1/2 | 65 | 2011 |
| SSTL2-02359-3 | 25243 | 23591 | 25725 | 576 | 19681 | 20090 | 450 | - | - | - | 1-1/2 | 870 | 42 | 80 | 10 | 3 | 9.9 | 61-1/2 | 65 | 2523 |
| SSTL2-02392-4 | 26312 | 23920 | 30192 | 541 | 20570 | 24262 | 435 | - | - | - | 1-1/2 | 870 | 42 | 80 | 6 | 4 | 7.4 | 73-1/2 | 77 | 2364 |
| SSTL2-02395-3 | - | 23955 | 39829 | 713 | 22275 | 35547 | 637 | 20196 | 30569 | 548 | 3 | 1160 | 42 | 91 | 6 | 3 | 7.4 | 73-1/2 | 77 | 2233 |
| SSTL2-02421-3 | 26633 | 24212 | 36589 | 546 | 21587 | 30851 | 460 | - | - | - | 2 | 870 | 42 | 81 | 6 | 3 | 8.9 | 85-1/2 | 89 | 2585 |
| SSTL2-02427-4 | 26330 | 24267 | 26231 | 587 | 20342 | 20532 | 460 | - | - | - | 1-1/2 | 870 | 42 | 80 | 8 | 4 | 7.9 | 61-1/2 | 65 | 2381 |
| SSTL2-02471-4 | - | 24715 | 35978 | 805 | 22151 | 30240 | 677 | 18721 | 23421 | 524 | 3 | 870 | 42 | 82 | 6 | 4 | 5.9 | 61-1/2 | 65 | 2157 |
| SSTL2-02485-4 | - | 24851 | 36368 | 814 | 23116 | 32327 | 724 | 21066 | 27973 | 626 | 3 | 1160 | 42 | 91 | 6 | 4 | 5.9 | 61-1/2 | 65 | 2063 |
| SSTL2-02496-3 | - | 24967 | 34683 | 776 | 22194 | 29043 | 650 | 18682 | 22583 | 506 | 3 | 870 | 42 | 82 | 8 | 3 | 7.9 | 61-1/2 | 65 | 2335 |
| SSTL2-02497-3 | - | 24975 | 49836 | 1116 | 23935 | 46262 | 1036 | 22778 | 42408 | 949 | 7-1/2 | 1160 | 42 | 91 | 6 | 3 | 5.9 | 61-1/2 | 65 | 2006 |
| SSTL2-02528-3 | - | 25281 | 35380 | 792 | 23383 | 31417 | 703 | 21159 | 27055 | 606 | 3 | 1160 | 42 | 91 | 8 | 3 | 7.9 | 61-1/2 | 65 | 2241 |
| SSTL2-02556-3 | 27351 | 25561 | 27917 | 625 | 22135 | 23586 | 528 | 17294 | 16916 | 379 | 2 | 870 | 42 | 81 | 10 | 3 | 9.9 | 61-1/2 | 65 | 2601 |
| SSTL2-02567-3 | - | 25673 | 44612 | 799 | 23059 | 37543 | 672 | 19156 | 28232 | 506 | 3 | 870 | 48 | 85 | 6 | 3 | 7.4 | 73-1/2 | 77 | 2340 |
| SSTL2-02595-4 | 28546 | 25951 | 34146 | 612 | 22953 | 28445 | 509 | 15220 | 20347 | 364 | 2 | 870 | 42 | 81 | 6 | 4 | 7.4 | 73-1/2 | 77 | 2442 |
| SSTL2-02622-4 | 28840 | 26218 | 31714 | 473 | 22447 | 25454 | 380 | - | - | - | 1-1/2 | 870 | 42 | 80 | 6 | 4 | 8.9 | 85-1/2 | 89 | 2669 |
| SSTL2-02622-3 | 28450 | 26221 | 33349 | 597 | 23033 | 27674 | 496 | 18085 | 19786 | 354 | 2 | 870 | 42 | 81 | 8 | 3 | 9.9 | 73-1/2 | 77 | 2664 |
| SSTL2-02633-4 | - | 26325 | 29513 | 661 | 22880 | 24168 | 541 | 17896 | 17279 | 387 | 2 | 870 | 42 | 81 | 8 | 4 | 7.9 | 61-1/2 | 65 | 2459 |
| SSTL2-02640-4 | 28244 | 26396 | 24841 | 556 | 21786 | 19309 | 432 | - | - | - | 1-1/2 | 870 | 42 | 80 | 10 | 4 | 9.9 | 61-1/2 | 65 | 2704 |
| SSTL2-02645-3 | - | 26454 | 46825 | 839 | 24840 | 42274 | 757 | 22859 | 37023 | 663 | 5 | 1160 | 42 | 88 | 6 | 3 | 7.4 | 73-1/2 | 77 | 2290 |
| SSTL2-02675-3 | 29420 | 26745 | 41875 | 625 | 24286 | 36794 | 549 | 20410 | 28419 | 424 | 3 | 870 | 42 | 82 | 6 | 3 | 8.9 | 85-1/2 | 89 | 2606 |

* Capacity based on R717 refrigerant with either recirculated or flooded feed.

† Sound ratings are based on 6 feet from the unit and under free field conditions.



EVAPORATORS

STAINLESS STEEL

Engineering Data

SSTL PRODUCT COOLERS — 2 FAN MODELS

| Model No. | 0" ESP | | | | 1/4" ESP | | | 1/2" ESP | | | Fan Data | | | | Coil Data | | | Height | | Shipping Wt. (lbs.) |
|---------------|---------------------|---------|---------------|----------------|-----------------------------|---------------|----------------|-----------------------------|---------------|----------------|----------|------|------|------|-----------|-----|---------------------------|-----------------|----|---------------------|
| | Capacity* (Btuh/TD) | | Airflow (CFM) | Velocity (FPM) | Capacity* (Btuh/TD) Frosted | Airflow (CFM) | Velocity (FPM) | Capacity* (Btuh/TD) Frosted | Airflow (CFM) | Velocity (FPM) | Motor Hp | RPM | Dia. | dBAt | Rows Deep | fpi | Volume (ft ³) | Dimension (in.) | | |
| | Wet | Frosted | | | | | | | | | | | | | | | | D | H | |
| SSTL2-02693-3 | 28820 | 26935 | 28359 | 508 | 22617 | 22444 | 402 | - | - | - | 1-1/2 | 870 | 42 | 80 | 10 | 3 | 12.4 | 73-1/2 | 77 | 2945 |
| SSTL2-02709-4 | - | 27092 | 41988 | 940 | 25442 | 37726 | 845 | 23572 | 33347 | 747 | 5 | 1160 | 42 | 88 | 6 | 4 | 5.9 | 61-1/2 | 65 | 2120 |
| SSTL2-02711-3 | 29412 | 27108 | 34896 | 625 | 24228 | 29755 | 533 | 20666 | 23756 | 425 | 3 | 1160 | 42 | 89 | 8 | 3 | 9.9 | 73-1/2 | 77 | 2588 |
| SSTL2-02755-3 | - | 27552 | 40548 | 908 | 25771 | 36500 | 817 | 23831 | 32342 | 724 | 5 | 1160 | 42 | 88 | 8 | 3 | 7.9 | 61-1/2 | 65 | 2298 |
| SSTL2-02768-4 | 30034 | 27681 | 28817 | 516 | 23345 | 22861 | 409 | - | - | - | 1-1/2 | 870 | 42 | 80 | 8 | 4 | 9.9 | 73-1/2 | 77 | 2768 |
| SSTL2-02832-4 | - | 28317 | 39089 | 700 | 26294 | 34882 | 625 | 23794 | 30000 | 537 | 3 | 1160 | 42 | 91 | 6 | 4 | 7.4 | 73-1/2 | 77 | 2369 |
| SSTL2-02857-3 | - | 28573 | 53260 | 954 | 27520 | 49973 | 895 | 26110 | 45858 | 821 | 7-1/2 | 1160 | 42 | 91 | 6 | 3 | 7.4 | 73-1/2 | 77 | 2285 |
| SSTL2-02858-4 | 31442 | 28583 | 35969 | 537 | 25355 | 30253 | 452 | - | - | - | 2 | 870 | 42 | 81 | 6 | 4 | 8.9 | 85-1/2 | 89 | 2748 |
| SSTL2-02859-4 | 30596 | 28595 | 27702 | 620 | 24553 | 22581 | 506 | 15556 | 16250 | 364 | 2 | 870 | 42 | 81 | 10 | 4 | 9.9 | 61-1/2 | 65 | 2783 |
| SSTL2-02860-4 | - | 28604 | 33400 | 748 | 25289 | 27881 | 624 | 21212 | 21750 | 487 | 3 | 870 | 42 | 82 | 8 | 4 | 7.9 | 61-1/2 | 65 | 2481 |
| SSTL2-02873-3 | - | 28734 | 47830 | 714 | 25858 | 40520 | 605 | 21430 | 30525 | 456 | 3 | 870 | 48 | 85 | 6 | 3 | 8.9 | 85-1/2 | 89 | 2619 |
| SSTL2-02876-3 | - | 28756 | 38269 | 685 | 26597 | 34095 | 611 | 24019 | 29385 | 526 | 3 | 1160 | 42 | 91 | 8 | 3 | 9.9 | 73-1/2 | 77 | 2592 |
| SSTL2-02885-3 | 31306 | 28853 | 35279 | 527 | 25456 | 29565 | 441 | - | - | - | 2 | 870 | 42 | 81 | 8 | 3 | 11.9 | 85-1/2 | 89 | 3015 |
| SSTL2-02914-4 | - | 29139 | 34331 | 769 | 26902 | 30508 | 683 | 24142 | 26079 | 584 | 3 | 1160 | 42 | 91 | 8 | 4 | 7.9 | 61-1/2 | 65 | 2386 |
| SSTL2-02920-3 | - | 29203 | 49042 | 732 | 27546 | 44717 | 667 | 25223 | 38990 | 582 | 5 | 1160 | 42 | 88 | 6 | 3 | 8.9 | 85-1/2 | 89 | 2568 |
| SSTL2-02956-4 | - | 29561 | 48569 | 1087 | 28184 | 44975 | 1007 | 26851 | 41266 | 924 | 7-1/2 | 1160 | 42 | 91 | 6 | 4 | 5.9 | 61-1/2 | 65 | 2115 |
| SSTL2-02995-3 | - | 29946 | 57760 | 1035 | 28312 | 52537 | 941 | 25831 | 45064 | 807 | 7-1/2 | 870 | 48 | 89 | 6 | 3 | 7.4 | 73-1/2 | 77 | 2616 |
| SSTL2-03017-3 | - | 30168 | 46972 | 1052 | 28762 | 43547 | 975 | 27304 | 39993 | 895 | 7-1/2 | 1160 | 42 | 91 | 8 | 3 | 7.9 | 61-1/2 | 65 | 2293 |
| SSTL2-03017-4 | 32735 | 30170 | 32540 | 583 | 26302 | 26882 | 481 | - | - | - | 2 | 870 | 42 | 81 | 8 | 4 | 9.9 | 73-1/2 | 77 | 2846 |
| SSTL2-03018-4 | - | 30183 | 43209 | 774 | 26927 | 36190 | 648 | 22322 | 27312 | 489 | 3 | 870 | 48 | 85 | 6 | 4 | 7.4 | 73-1/2 | 77 | 2476 |
| SSTL2-03045-3 | - | 30453 | 41680 | 747 | 26944 | 34761 | 623 | 22246 | 26346 | 472 | 3 | 870 | 48 | 85 | 8 | 3 | 9.9 | 73-1/2 | 77 | 2699 |
| SSTL2-03098-3 | - | 30983 | 38307 | 858 | 28933 | 34593 | 774 | 26690 | 30734 | 688 | 5 | 1160 | 42 | 88 | 10 | 3 | 9.9 | 61-1/2 | 65 | 2585 |
| SSTL2-03113-4 | 34241 | 31128 | 40949 | 611 | 28814 | 36488 | 545 | 26015 | 31400 | 469 | 3 | 1160 | 42 | 91 | 6 | 4 | 8.9 | 85-1/2 | 89 | 2675 |
| SSTL2-03123-3 | 33414 | 31228 | 34877 | 625 | 28419 | 30594 | 548 | 24659 | 25191 | 451 | 3 | 870 | 42 | 84 | 10 | 3 | 12.4 | 73-1/2 | 77 | 3069 |
| SSTL2-03129-4 | - | 31294 | 45918 | 822 | 29285 | 41278 | 739 | 26937 | 36209 | 649 | 5 | 1160 | 42 | 88 | 6 | 4 | 7.4 | 73-1/2 | 77 | 2426 |
| SSTL2-03153-3 | - | 31529 | 55540 | 829 | 30329 | 52066 | 777 | 28904 | 48271 | 720 | 7-1/2 | 1160 | 42 | 91 | 6 | 3 | 8.9 | 85-1/2 | 89 | 2564 |
| SSTL2-03157-4 | 34722 | 31565 | 41838 | 624 | 28564 | 36019 | 538 | 23869 | 27757 | 414 | 3 | 870 | 42 | 82 | 6 | 4 | 8.9 | 85-1/2 | 89 | 2769 |
| SSTL2-03174-4 | - | 31740 | 39166 | 877 | 29666 | 35318 | 791 | 27378 | 31348 | 702 | 5 | 1160 | 42 | 88 | 8 | 4 | 7.9 | 61-1/2 | 65 | 2443 |
| SSTL2-03188-3 | - | 31879 | 44855 | 803 | 29665 | 40168 | 719 | 27240 | 35327 | 633 | 5 | 1160 | 42 | 88 | 8 | 3 | 9.9 | 73-1/2 | 77 | 2648 |
| SSTL2-03203-3 | 34749 | 32026 | 41006 | 612 | 28779 | 35180 | 525 | 23879 | 27054 | 404 | 3 | 870 | 42 | 82 | 8 | 3 | 11.9 | 85-1/2 | 89 | 3036 |
| SSTL2-03208-4 | - | 32079 | 32537 | 728 | 29526 | 28994 | 649 | 26098 | 24498 | 548 | 3 | 1160 | 42 | 91 | 10 | 4 | 9.9 | 61-1/2 | 65 | 2710 |
| SSTL2-03237-3 | 34639 | 32373 | 34130 | 509 | 28265 | 28425 | 424 | - | - | - | 2 | 870 | 42 | 81 | 10 | 3 | 14.8 | 85-1/2 | 89 | 3445 |
| SSTL2-03246-3 | - | 32457 | 36878 | 661 | 29869 | 32800 | 587 | 26894 | 28348 | 508 | 3 | 1160 | 42 | 91 | 10 | 3 | 12.4 | 73-1/2 | 77 | 2950 |
| SSTL2-03321-4 | 36042 | 33218 | 34566 | 516 | 29086 | 28851 | 431 | - | - | - | 2 | 870 | 42 | 81 | 8 | 4 | 11.9 | 85-1/2 | 89 | 3233 |
| SSTL2-03322-4 | - | 33220 | 37410 | 670 | 30629 | 33292 | 596 | 27605 | 28745 | 515 | 3 | 1160 | 42 | 91 | 8 | 4 | 9.9 | 73-1/2 | 77 | 2773 |
| SSTL2-03361-3 | - | 33607 | 43399 | 972 | 31868 | 40031 | 896 | 29585 | 35762 | 801 | 7-1/2 | 1160 | 42 | 91 | 10 | 3 | 9.9 | 61-1/2 | 65 | 2585 |
| SSTL2-03370-3 | - | 33704 | 62135 | 927 | 31796 | 56412 | 842 | 29330 | 49426 | 738 | 7-1/2 | 870 | 48 | 89 | 6 | 3 | 8.9 | 85-1/2 | 89 | 2895 |
| SSTL2-03387-4 | - | 33869 | 52297 | 937 | 32525 | 49075 | 879 | 30841 | 44866 | 804 | 7-1/2 | 1160 | 42 | 91 | 6 | 4 | 7.4 | 73-1/2 | 77 | 2421 |
| SSTL2-03391-4 | - | 33907 | 46690 | 697 | 30375 | 39502 | 590 | 25008 | 29670 | 443 | 3 | 870 | 48 | 85 | 6 | 4 | 8.9 | 85-1/2 | 89 | 2782 |
| SSTL2-03395-3 | - | 33946 | 39294 | 704 | 29701 | 32546 | 583 | 24386 | 24818 | 445 | 3 | 870 | 48 | 85 | 10 | 3 | 12.4 | 73-1/2 | 77 | 3057 |
| SSTL2-03431-3 | - | 34311 | 45436 | 678 | 30542 | 38355 | 572 | 24953 | 28756 | 429 | 3 | 870 | 48 | 85 | 8 | 3 | 11.9 | 85-1/2 | 89 | 3049 |
| SSTL2-03458-4 | - | 34584 | 48253 | 720 | 32516 | 43846 | 654 | 29750 | 38283 | 571 | 5 | 1160 | 42 | 88 | 6 | 4 | 8.9 | 85-1/2 | 89 | 2731 |
| SSTL2-03467-3 | - | 34665 | 51190 | 917 | 33168 | 47796 | 856 | 31360 | 43753 | 784 | 7-1/2 | 1160 | 42 | 91 | 8 | 3 | 9.9 | 73-1/2 | 77 | 2644 |
| SSTL2-03487-4 | - | 34866 | 45432 | 1017 | 33253 | 42159 | 944 | 31460 | 38745 | 867 | 7-1/2 | 1160 | 42 | 91 | 8 | 4 | 7.9 | 61-1/2 | 65 | 2438 |

* Capacity based on R717 refrigerant with either recirculated or flooded feed.

† Sound ratings are based on 6 feet from the unit and under free field conditions.



STAINLESS STEEL EVAPORATORS

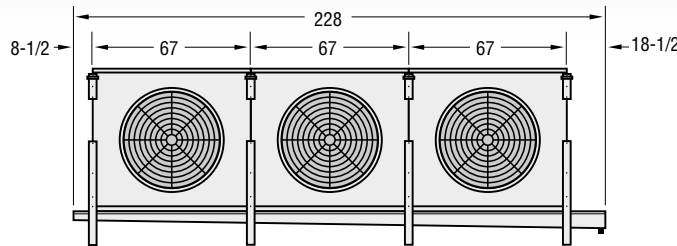
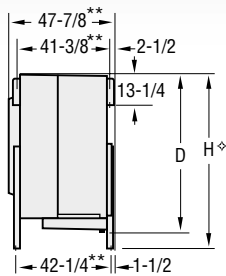
Engineering Data

SSTL PRODUCT COOLERS — 2 FAN MODELS

| Model No. | 0" ESP | | | | 1/4" ESP | | | 1/2" ESP | | | Fan Data | | | | Coil Data | | | Height | | Shipping Wt. (lbs.) |
|---------------|---------------------|---------|---------------|----------------|---------------------|---------------|----------------|---------------------|---------------|----------------|----------|------|------|------|-----------|-----|--------------|-----------------|----|---------------------|
| | Capacity* (Btuh/TD) | | Airflow (CFM) | Velocity (FPM) | Capacity* (Btuh/TD) | Airflow (CFM) | Velocity (FPM) | Capacity* (Btuh/TD) | Airflow (CFM) | Velocity (FPM) | Motor Hp | RPM | Dia. | dBA† | Rows Deep | fpi | Volume (ft³) | Dimension (in.) | | |
| | Wet | Frosted | | | | | | | | | | | | | | | | Frosted | D | |
| SSTL2-03490-4 | - | 34897 | 40191 | 720 | 30672 | 33366 | 598 | 25217 | 25379 | 455 | 3 | 870 | 48 | 85 | 8 | 4 | 9.9 | 73-1/2 | 77 | 2880 |
| SSTL2-03498-4 | - | 34977 | 36872 | 826 | 32613 | 33370 | 747 | 30031 | 29688 | 665 | 5 | 1160 | 42 | 88 | 10 | 4 | 9.9 | 61-1/2 | 65 | 2766 |
| SSTL2-03521-3 | - | 35207 | 47366 | 707 | 32935 | 42867 | 640 | 30071 | 37493 | 560 | 5 | 1160 | 42 | 88 | 8 | 3 | 11.9 | 85-1/2 | 89 | 2999 |
| SSTL2-03529-4 | 37765 | 35294 | 34005 | 609 | 31865 | 29666 | 531 | 27544 | 24491 | 439 | 3 | 870 | 42 | 84 | 10 | 4 | 12.4 | 73-1/2 | 77 | 3296 |
| SSTL2-03530-4 | - | 35303 | 56057 | 1004 | 33155 | 50514 | 905 | 30218 | 43407 | 777 | 7-1/2 | 870 | 48 | 89 | 6 | 4 | 7.4 | 73-1/2 | 77 | 2752 |
| SSTL2-03590-3 | - | 35904 | 42750 | 766 | 33338 | 38374 | 687 | 30557 | 33874 | 607 | 5 | 1160 | 42 | 88 | 10 | 3 | 12.4 | 73-1/2 | 77 | 3007 |
| SSTL2-03594-3 | - | 35942 | 54177 | 970 | 33420 | 48350 | 866 | 30368 | 41642 | 746 | 7-1/2 | 870 | 48 | 89 | 8 | 3 | 9.9 | 73-1/2 | 77 | 2975 |
| SSTL2-03609-3 | 38615 | 36089 | 39613 | 591 | 32115 | 33782 | 504 | 26338 | 25884 | 386 | 3 | 870 | 42 | 82 | 10 | 3 | 14.8 | 85-1/2 | 89 | 3467 |
| SSTL2-03645-4 | 39001 | 36449 | 33337 | 498 | 31523 | 27644 | 413 | - | - | - | 2 | 870 | 42 | 81 | 10 | 4 | 14.8 | 85-1/2 | 89 | 3718 |
| SSTL2-03651-4 | 39617 | 36513 | 39526 | 590 | 33669 | 35281 | 527 | 30171 | 30322 | 453 | 3 | 1160 | 42 | 91 | 8 | 4 | 11.9 | 85-1/2 | 89 | 3160 |
| SSTL2-03677-4 | - | 36769 | 43553 | 780 | 34175 | 39055 | 699 | 31347 | 34424 | 617 | 5 | 1160 | 42 | 88 | 8 | 4 | 9.9 | 73-1/2 | 77 | 2830 |
| SSTL2-03692-4 | 40063 | 36924 | 40143 | 599 | 32999 | 34306 | 512 | 27156 | 26316 | 393 | 3 | 870 | 42 | 82 | 8 | 4 | 11.9 | 85-1/2 | 89 | 3254 |
| SSTL2-03798-4 | - | 37985 | 37642 | 674 | 33032 | 31141 | 558 | 26962 | 23828 | 427 | 3 | 870 | 48 | 85 | 10 | 4 | 12.4 | 73-1/2 | 77 | 3284 |
| SSTL2-03806-4 | - | 38060 | 41779 | 935 | 35901 | 38331 | 858 | 33206 | 34227 | 766 | 7-1/2 | 1160 | 42 | 91 | 10 | 4 | 9.9 | 61-1/2 | 65 | 2766 |
| SSTL2-03827-3 | - | 38273 | 53844 | 804 | 36695 | 50491 | 754 | 34743 | 46447 | 693 | 7-1/2 | 1160 | 42 | 91 | 8 | 3 | 11.9 | 85-1/2 | 89 | 2994 |
| SSTL2-03832-3 | 41005 | 38322 | 41875 | 625 | 33725 | 36151 | 540 | 27408 | 27287 | 407 | 3 | 870 | 48 | 85 | 10 | 3 | 14.8 | 85-1/2 | 89 | 3480 |
| SSTL2-03937-4 | - | 39375 | 44037 | 657 | 34801 | 36967 | 552 | 28307 | 27822 | 415 | 3 | 870 | 48 | 85 | 8 | 4 | 11.9 | 85-1/2 | 89 | 3267 |
| SSTL2-03953-3 | - | 39529 | 49369 | 884 | 37539 | 45738 | 819 | 35415 | 41942 | 751 | 7-1/2 | 1160 | 42 | 91 | 10 | 3 | 12.4 | 73-1/2 | 77 | 3002 |
| SSTL2-03981-4 | - | 39809 | 60563 | 904 | 37460 | 55053 | 822 | 34364 | 47814 | 714 | 7-1/2 | 870 | 48 | 89 | 6 | 4 | 8.9 | 85-1/2 | 89 | 3058 |
| SSTL2-03993-3 | - | 39930 | 45894 | 685 | 37050 | 41248 | 616 | 33752 | 36189 | 540 | 5 | 1160 | 42 | 88 | 10 | 3 | 14.8 | 85-1/2 | 89 | 3429 |
| SSTL2-04027-4 | - | 40267 | 50076 | 897 | 38381 | 46530 | 833 | 36180 | 42639 | 764 | 7-1/2 | 1160 | 42 | 91 | 8 | 4 | 9.9 | 73-1/2 | 77 | 2825 |
| SSTL2-04029-3 | - | 40290 | 50767 | 909 | 37181 | 45064 | 807 | 33668 | 38933 | 697 | 7-1/2 | 870 | 48 | 89 | 10 | 3 | 12.4 | 73-1/2 | 77 | 3333 |
| SSTL2-04053-3 | - | 40527 | 58815 | 878 | 38106 | 53536 | 799 | 34552 | 46074 | 688 | 7-1/2 | 870 | 48 | 89 | 8 | 3 | 11.9 | 85-1/2 | 89 | 3325 |
| SSTL2-04057-4 | - | 40568 | 41373 | 741 | 37604 | 37197 | 666 | 34401 | 32900 | 589 | 5 | 1160 | 42 | 88 | 10 | 4 | 12.4 | 73-1/2 | 77 | 3234 |
| SSTL2-04067-4 | 43516 | 40669 | 38593 | 576 | 35854 | 32683 | 488 | 29214 | 25093 | 375 | 3 | 870 | 42 | 82 | 10 | 4 | 14.8 | 85-1/2 | 89 | 3739 |
| SSTL2-04079-4 | - | 40790 | 46461 | 693 | 37966 | 41862 | 625 | 34609 | 36678 | 547 | 5 | 1160 | 42 | 88 | 8 | 4 | 11.9 | 85-1/2 | 89 | 3216 |
| SSTL2-04137-4 | - | 41371 | 52212 | 935 | 38253 | 46297 | 829 | 34693 | 39945 | 715 | 7-1/2 | 870 | 48 | 89 | 8 | 4 | 9.9 | 73-1/2 | 77 | 3156 |
| SSTL2-04301-4 | 46024 | 43013 | 41676 | 622 | 37535 | 34732 | 518 | 30322 | 26315 | 393 | 3 | 870 | 48 | 85 | 10 | 4 | 14.8 | 85-1/2 | 89 | 3752 |
| SSTL2-04365-3 | - | 43647 | 52273 | 780 | 41788 | 49052 | 732 | 39278 | 44837 | 669 | 7-1/2 | 1160 | 42 | 91 | 10 | 3 | 14.8 | 85-1/2 | 89 | 3424 |
| SSTL2-04448-4 | - | 44480 | 52883 | 789 | 42577 | 49626 | 741 | 40167 | 45454 | 678 | 7-1/2 | 1160 | 42 | 91 | 8 | 4 | 11.9 | 85-1/2 | 89 | 3212 |
| SSTL2-04524-4 | - | 45238 | 48399 | 867 | 41669 | 43019 | 770 | 37622 | 37229 | 667 | 7-1/2 | 870 | 48 | 89 | 10 | 4 | 12.4 | 73-1/2 | 77 | 3560 |
| SSTL2-04530-4 | - | 45303 | 44852 | 669 | 41803 | 40162 | 599 | 38001 | 35306 | 527 | 5 | 1160 | 42 | 88 | 10 | 4 | 14.8 | 85-1/2 | 89 | 3701 |
| SSTL2-04575-3 | - | 45753 | 56021 | 836 | 42592 | 50468 | 753 | 38368 | 43364 | 647 | 7-1/2 | 870 | 48 | 89 | 10 | 3 | 14.8 | 85-1/2 | 89 | 3755 |
| SSTL2-04678-4 | - | 46778 | 57090 | 852 | 43803 | 51723 | 772 | 39489 | 44385 | 662 | 7-1/2 | 870 | 48 | 89 | 8 | 4 | 11.9 | 85-1/2 | 89 | 3543 |
| SSTL2-04976-4 | - | 49758 | 51198 | 764 | 47386 | 47805 | 714 | 44483 | 43753 | 653 | 7-1/2 | 1160 | 42 | 91 | 10 | 4 | 14.8 | 85-1/2 | 89 | 3696 |
| SSTL2-05178-4 | - | 51781 | 54199 | 809 | 47768 | 48359 | 722 | 42906 | 41631 | 621 | 7-1/2 | 870 | 48 | 89 | 10 | 4 | 14.8 | 85-1/2 | 89 | 4027 |

* Capacity based on R717 refrigerant with either recirculated or flooded feed.
 † Sound ratings are based on 6 feet from the unit and under free field conditions.

Engineering Data



** Add 4-1/8" for 10 row deep coils.
 ◇ Water defrost adds 5-3/8" to height.

SSTL PRODUCT COOLERS — 3 FAN MODELS

| Model No. | 0" ESP | | | | 1/4" ESP | | | 1/2" ESP | | | Fan Data | | | | Coil Data | | | Height | | Shipping Wt. (lbs.) |
|---------------|---------------------|---------|---------------|----------------|---------------------|---------------|----------------|---------------------|---------------|----------------|----------|------|------|------|-----------|--------------|-----------------|---------|----|---------------------|
| | Capacity* (Btuh/TD) | | Airflow (CFM) | Velocity (FPM) | Capacity* (Btuh/TD) | Airflow (CFM) | Velocity (FPM) | Capacity* (Btuh/TD) | Airflow (CFM) | Velocity (FPM) | Motor Hp | RPM | Dia. | dBA† | Rows Deep | Volume (ft³) | Dimension (in.) | | | |
| | Wet | Frosted | | | | | | | | | | | | | | | Frosted | Frosted | D | |
| SSTL3-02687-3 | 29561 | 26874 | 41875 | 625 | 23106 | 34145 | 510 | - | - | - | 1-1/2 | 870 | 42 | 82 | 6 | 3 | 8.8 | 62-7/8 | 65 | 2838 |
| SSTL3-02905-3 | - | 29048 | 48600 | 725 | 25702 | 40141 | 599 | 20523 | 28691 | 428 | 2 | 870 | 42 | 83 | 6 | 3 | 8.8 | 62-7/8 | 65 | 2956 |
| SSTL3-03044-3 | 33486 | 30442 | 46213 | 552 | 26290 | 37122 | 443 | - | - | - | 1-1/2 | 870 | 42 | 82 | 6 | 3 | 11.0 | 74-7/8 | 77 | 3249 |
| SSTL3-03159-4 | 34754 | 31594 | 41875 | 625 | 26954 | 33070 | 494 | - | - | - | 1-1/2 | 870 | 42 | 82 | 6 | 4 | 8.8 | 62-7/8 | 65 | 3002 |
| SSTL3-03165-3 | - | 31648 | 55877 | 834 | 29443 | 49730 | 742 | 26851 | 42963 | 641 | 3 | 1160 | 42 | 93 | 6 | 3 | 8.8 | 62-7/8 | 65 | 2847 |
| SSTL3-03182-3 | 34527 | 31822 | 40620 | 606 | 26887 | 31934 | 477 | - | - | - | 1-1/2 | 870 | 42 | 82 | 8 | 3 | 11.8 | 62-7/8 | 65 | 3268 |
| SSTL3-03303-3 | 36333 | 33030 | 52312 | 625 | 29368 | 43750 | 522 | 23385 | 31338 | 374 | 2 | 870 | 42 | 83 | 6 | 3 | 11.0 | 74-7/8 | 77 | 3366 |
| SSTL3-03304-4 | - | 33037 | 44899 | 670 | 29378 | 37568 | 561 | 24520 | 28842 | 430 | 2 | 1160 | 42 | 89 | 6 | 4 | 8.8 | 62-7/8 | 65 | 2955 |
| SSTL3-03328-3 | 36612 | 33284 | 52344 | 625 | 30435 | 46176 | 551 | 27229 | 39083 | 467 | 3 | 1160 | 42 | 91 | 6 | 3 | 11.0 | 74-7/8 | 77 | 3257 |
| SSTL3-03335-3 | 36681 | 33347 | 48356 | 481 | 28673 | 38785 | 386 | - | - | - | 1-1/2 | 870 | 42 | 82 | 6 | 3 | 13.2 | 86-7/8 | 89 | 3659 |
| SSTL3-03418-4 | - | 34184 | 47350 | 707 | 30089 | 38948 | 581 | 23889 | 27796 | 415 | 2 | 870 | 42 | 83 | 6 | 4 | 8.8 | 62-7/8 | 65 | 3119 |
| SSTL3-03460-3 | - | 34600 | 64938 | 969 | 32434 | 58271 | 870 | 30049 | 51399 | 767 | 5 | 1160 | 42 | 90 | 6 | 3 | 8.8 | 62-7/8 | 65 | 2932 |
| SSTL3-03539-3 | 37871 | 35394 | 38599 | 576 | 29522 | 30136 | 450 | - | - | - | 1-1/2 | 870 | 42 | 82 | 10 | 3 | 14.7 | 62-7/8 | 65 | 3699 |
| SSTL3-03589-4 | 39475 | 35886 | 45298 | 541 | 30860 | 36402 | 435 | - | - | - | 1-1/2 | 870 | 42 | 82 | 6 | 4 | 11.0 | 74-7/8 | 77 | 3453 |
| SSTL3-03594-3 | - | 35936 | 59753 | 713 | 33413 | 53322 | 637 | 30293 | 45851 | 547 | 3 | 1160 | 42 | 93 | 6 | 3 | 11.0 | 74-7/8 | 77 | 3257 |
| SSTL3-03632-3 | 39956 | 36324 | 54896 | 546 | 32378 | 46273 | 460 | - | - | - | 2 | 870 | 42 | 83 | 6 | 3 | 13.2 | 86-7/8 | 89 | 3776 |
| SSTL3-03641-4 | 39501 | 36407 | 39356 | 587 | 30512 | 30797 | 460 | - | - | - | 1-1/2 | 870 | 42 | 82 | 8 | 4 | 11.8 | 62-7/8 | 65 | 3486 |
| SSTL3-03708-4 | - | 37076 | 53976 | 806 | 33226 | 45359 | 677 | 28048 | 35139 | 524 | 3 | 870 | 42 | 84 | 6 | 4 | 8.8 | 62-7/8 | 65 | 3151 |
| SSTL3-03734-4 | - | 37344 | 54553 | 814 | 34675 | 48490 | 724 | 31601 | 41965 | 626 | 3 | 1160 | 42 | 93 | 6 | 4 | 8.8 | 62-7/8 | 65 | 3010 |
| SSTL3-03740-3 | - | 37403 | 52032 | 777 | 33290 | 43565 | 650 | 28026 | 33877 | 506 | 3 | 870 | 42 | 84 | 8 | 3 | 11.8 | 62-7/8 | 65 | 3418 |
| SSTL3-03754-3 | - | 37537 | 74754 | 1116 | 35903 | 69393 | 1036 | 34169 | 63620 | 950 | 7-1/2 | 1160 | 42 | 93 | 6 | 3 | 8.8 | 62-7/8 | 65 | 2925 |
| SSTL3-03793-3 | - | 37926 | 53081 | 792 | 35052 | 47132 | 703 | 31742 | 40591 | 606 | 3 | 1160 | 42 | 93 | 8 | 3 | 11.8 | 62-7/8 | 65 | 3277 |
| SSTL3-03834-3 | 41026 | 38342 | 41875 | 625 | 33202 | 35379 | 528 | 25941 | 25374 | 379 | 2 | 870 | 42 | 83 | 10 | 3 | 14.7 | 62-7/8 | 65 | 3816 |
| SSTL3-03851-3 | - | 38513 | 66928 | 799 | 34540 | 56321 | 672 | 28734 | 42348 | 506 | 3 | 870 | 48 | 87 | 6 | 3 | 11.0 | 74-7/8 | 77 | 3418 |
| SSTL3-03893-4 | 42826 | 38932 | 51230 | 612 | 34433 | 42673 | 510 | 22830 | 30524 | 364 | 2 | 870 | 42 | 83 | 6 | 4 | 11.0 | 74-7/8 | 77 | 3570 |
| SSTL3-03933-4 | 43267 | 39334 | 47582 | 473 | 33669 | 38179 | 380 | - | - | - | 1-1/2 | 870 | 42 | 82 | 6 | 4 | 13.2 | 86-7/8 | 89 | 3904 |
| SSTL3-03934-3 | 42682 | 39338 | 50036 | 597 | 34549 | 41510 | 496 | 27130 | 29684 | 354 | 2 | 870 | 42 | 83 | 8 | 3 | 14.7 | 74-7/8 | 77 | 3904 |
| SSTL3-03946-4 | - | 39464 | 44278 | 661 | 34320 | 36251 | 541 | 26844 | 25919 | 387 | 2 | 870 | 42 | 83 | 8 | 4 | 11.8 | 62-7/8 | 65 | 3604 |
| SSTL3-03960-4 | 42374 | 39602 | 37272 | 556 | 32680 | 28963 | 432 | - | - | - | 1-1/2 | 870 | 42 | 82 | 10 | 4 | 14.7 | 62-7/8 | 65 | 3971 |
| SSTL3-03968-3 | - | 39685 | 70249 | 839 | 37263 | 63418 | 757 | 34290 | 55539 | 663 | 5 | 1160 | 42 | 90 | 6 | 3 | 11.0 | 74-7/8 | 77 | 3342 |
| SSTL3-04012-3 | 44135 | 40123 | 62812 | 625 | 36431 | 55196 | 549 | 30619 | 42638 | 424 | 3 | 870 | 42 | 84 | 6 | 3 | 13.2 | 86-7/8 | 89 | 3808 |

* Capacity based on R717 refrigerant with either recirculated or flooded feed.

† Sound ratings are based on 6 feet from the unit and under free field conditions.



SST

STAINLESS STEEL EVAPORATORS

Engineering Data

SSTL PRODUCT COOLERS — 3 FAN MODELS

| Model No. | 0" ESP | | | | 1/4" ESP | | | 1/2" ESP | | | Fan Data | | | | Coil Data | | | Height | | Shipping Wt. (lbs.) |
|---------------|------------------------|---------|------------------|-------------------|------------------------|------------------|-------------------|------------------------|------------------|-------------------|-------------|------|------|------|--------------|-----|-----------------|--------|----|------------------------|
| | Capacity* (Btuh/TD) | | Airflow (CFM) | Velocity (FPM) | Capacity* (Btuh/TD) | Airflow (CFM) | Velocity (FPM) | Capacity* (Btuh/TD) | Airflow (CFM) | Velocity (FPM) | Motor Hp | RPM | Dia. | dBA† | Rows Deep | fpi | Volume (ft³) | D | H | |
| | Wet | Frosted | | | | | | | | | | | | | | | | | | |
| SSTL3-04040-3 | 43230 | 40402 | 42539 | 508 | 33926 | 33665 | 402 | - | - | - | 1-1/2 | 870 | 42 | 82 | 10 | 3 | 18.4 | 74-7/8 | 77 | 4324 |
| SSTL3-04066-3 | 44119 | 40663 | 52344 | 625 | 36348 | 44643 | 533 | 31003 | 35642 | 426 | 3 | 1160 | 42 | 91 | 8 | 3 | 14.7 | 74-7/8 | 77 | 3789 |
| SSTL3-04072-4 | - | 40718 | 62981 | 940 | 38167 | 56597 | 845 | 35299 | 50027 | 747 | 5 | 1160 | 42 | 90 | 6 | 4 | 8.8 | 62-7/8 | 65 | 3095 |
| SSTL3-04133-3 | - | 41332 | 60832 | 908 | 38660 | 54758 | 817 | 35747 | 48514 | 724 | 5 | 1160 | 42 | 90 | 8 | 3 | 11.8 | 62-7/8 | 65 | 3362 |
| SSTL3-04152-4 | 45052 | 41523 | 43226 | 516 | 35018 | 34291 | 409 | - | - | - | 1-1/2 | 870 | 42 | 82 | 8 | 4 | 14.7 | 74-7/8 | 77 | 4059 |
| SSTL3-04248-4 | - | 42481 | 58646 | 700 | 39443 | 52330 | 625 | 35698 | 45014 | 537 | 3 | 1160 | 42 | 93 | 6 | 4 | 11.0 | 74-7/8 | 77 | 3461 |
| SSTL3-04286-3 | - | 42864 | 79903 | 954 | 41166 | 74971 | 895 | 39166 | 68792 | 821 | 7-1/2 | 1160 | 42 | 93 | 6 | 3 | 11.0 | 74-7/8 | 77 | 3335 |
| SSTL3-04288-4 | 47169 | 42881 | 53965 | 537 | 38034 | 45384 | 452 | - | - | - | 2 | 870 | 42 | 83 | 6 | 4 | 13.2 | 86-7/8 | 89 | 4021 |
| SSTL3-04289-4 | 45894 | 42891 | 41553 | 620 | 36830 | 33871 | 506 | 23338 | 24384 | 364 | 2 | 870 | 42 | 83 | 10 | 4 | 14.7 | 62-7/8 | 65 | 4089 |
| SSTL3-04291-4 | - | 42906 | 50100 | 748 | 37933 | 41820 | 624 | 31818 | 32625 | 487 | 3 | 870 | 42 | 84 | 8 | 4 | 11.8 | 62-7/8 | 65 | 3636 |
| SSTL3-04310-3 | - | 43102 | 71747 | 714 | 38739 | 60795 | 605 | 32148 | 45795 | 456 | 3 | 870 | 48 | 87 | 6 | 3 | 13.2 | 86-7/8 | 89 | 3828 |
| SSTL3-04313-3 | - | 43134 | 57405 | 685 | 39900 | 51150 | 611 | 36032 | 44084 | 526 | 3 | 1160 | 42 | 93 | 8 | 3 | 14.7 | 74-7/8 | 77 | 3795 |
| SSTL3-04329-3 | 46966 | 43287 | 52931 | 527 | 38187 | 44353 | 441 | - | - | - | 2 | 870 | 42 | 83 | 8 | 3 | 17.6 | 86-7/8 | 89 | 4422 |
| SSTL3-04371-4 | - | 43709 | 51497 | 769 | 40356 | 45768 | 683 | 36213 | 39119 | 584 | 3 | 1160 | 42 | 93 | 8 | 4 | 11.8 | 62-7/8 | 65 | 3495 |
| SSTL3-04381-3 | - | 43808 | 73575 | 732 | 41324 | 67089 | 668 | 37837 | 58492 | 582 | 5 | 1160 | 42 | 90 | 6 | 3 | 13.2 | 86-7/8 | 89 | 3752 |
| SSTL3-04434-4 | - | 44342 | 72854 | 1087 | 42279 | 67470 | 1007 | 40278 | 61905 | 924 | 7-1/2 | 1160 | 42 | 93 | 6 | 4 | 8.8 | 62-7/8 | 65 | 3088 |
| SSTL3-04492-3 | - | 44920 | 86640 | 1035 | 42470 | 78813 | 941 | 38685 | 67602 | 807 | 7-1/2 | 870 | 48 | 90 | 6 | 3 | 11.0 | 74-7/8 | 77 | 3831 |
| SSTL3-04525-3 | - | 45252 | 70459 | 1052 | 43146 | 65329 | 975 | 40958 | 59997 | 895 | 7-1/2 | 1160 | 42 | 93 | 8 | 3 | 11.8 | 62-7/8 | 65 | 3355 |
| SSTL3-04526-4 | 49103 | 45256 | 48811 | 583 | 39457 | 40329 | 482 | - | - | - | 2 | 870 | 42 | 83 | 8 | 4 | 14.7 | 74-7/8 | 77 | 4176 |
| SSTL3-04527-4 | - | 45275 | 64814 | 774 | 40331 | 54293 | 648 | 33487 | 40976 | 489 | 3 | 870 | 48 | 87 | 6 | 4 | 11.0 | 74-7/8 | 77 | 3622 |
| SSTL3-04568-3 | - | 45683 | 62530 | 747 | 40417 | 52141 | 623 | 33375 | 39528 | 472 | 3 | 870 | 48 | 87 | 8 | 3 | 14.7 | 74-7/8 | 77 | 3955 |
| SSTL3-04648-3 | - | 46479 | 57469 | 858 | 43405 | 51900 | 775 | 40041 | 46112 | 688 | 5 | 1160 | 42 | 90 | 10 | 3 | 14.7 | 62-7/8 | 65 | 3792 |
| SSTL3-04670-4 | 51367 | 46697 | 61434 | 611 | 43221 | 54731 | 545 | 39021 | 47098 | 469 | 3 | 1160 | 42 | 93 | 6 | 4 | 13.2 | 86-7/8 | 89 | 3912 |
| SSTL3-04684-3 | 50122 | 46843 | 52317 | 625 | 42633 | 45898 | 548 | 36989 | 37793 | 451 | 3 | 870 | 42 | 86 | 10 | 3 | 18.4 | 74-7/8 | 77 | 4511 |
| SSTL3-04694-4 | - | 46941 | 68879 | 822 | 43930 | 61922 | 739 | 40408 | 54320 | 649 | 5 | 1160 | 42 | 90 | 6 | 4 | 11.0 | 74-7/8 | 77 | 3546 |
| SSTL3-04730-3 | - | 47299 | 83324 | 829 | 45424 | 78100 | 777 | 43357 | 72411 | 721 | 7-1/2 | 1160 | 42 | 93 | 6 | 3 | 13.2 | 86-7/8 | 89 | 3745 |
| SSTL3-04735-4 | 52083 | 47348 | 62758 | 624 | 42849 | 54037 | 538 | 35808 | 41645 | 414 | 3 | 870 | 42 | 84 | 6 | 4 | 13.2 | 86-7/8 | 89 | 4053 |
| SSTL3-04761-4 | - | 47610 | 58749 | 877 | 44503 | 52986 | 791 | 41098 | 47022 | 702 | 5 | 1160 | 42 | 90 | 8 | 4 | 11.8 | 62-7/8 | 65 | 3579 |
| SSTL3-04782-3 | - | 47818 | 67283 | 803 | 44501 | 60260 | 720 | 40860 | 52990 | 633 | 5 | 1160 | 42 | 90 | 8 | 3 | 14.7 | 74-7/8 | 77 | 3879 |
| SSTL3-04804-3 | 52124 | 48040 | 61510 | 612 | 43169 | 52770 | 525 | 35819 | 40582 | 404 | 3 | 870 | 42 | 84 | 8 | 3 | 17.6 | 86-7/8 | 89 | 4454 |
| SSTL3-04812-4 | - | 48118 | 48806 | 728 | 44289 | 43491 | 649 | 39147 | 36747 | 548 | 3 | 1160 | 42 | 93 | 10 | 4 | 14.7 | 62-7/8 | 65 | 3979 |
| SSTL3-04856-3 | 51959 | 48560 | 51196 | 509 | 42400 | 42643 | 424 | - | - | - | 2 | 870 | 42 | 83 | 10 | 3 | 22.1 | 86-7/8 | 89 | 5067 |
| SSTL3-04869-3 | - | 48686 | 55319 | 661 | 44806 | 49206 | 588 | 40346 | 42529 | 508 | 3 | 1160 | 42 | 93 | 10 | 3 | 18.4 | 74-7/8 | 77 | 4333 |
| SSTL3-04982-4 | 54064 | 49828 | 51851 | 516 | 43633 | 43283 | 431 | - | - | - | 2 | 870 | 42 | 83 | 8 | 4 | 17.6 | 86-7/8 | 89 | 4749 |
| SSTL3-04983-4 | - | 49831 | 56116 | 670 | 45948 | 49946 | 596 | 41407 | 43115 | 515 | 3 | 1160 | 42 | 93 | 8 | 4 | 14.7 | 74-7/8 | 77 | 4067 |
| SSTL3-05042-3 | - | 50415 | 65108 | 972 | 47807 | 60056 | 896 | 44378 | 53643 | 801 | 7-1/2 | 1160 | 42 | 93 | 10 | 3 | 14.7 | 62-7/8 | 65 | 3792 |
| SSTL3-05056-3 | - | 50558 | 93211 | 927 | 47696 | 84624 | 842 | 43997 | 74147 | 738 | 7-1/2 | 870 | 48 | 90 | 6 | 3 | 13.2 | 86-7/8 | 89 | 4242 |
| SSTL3-05078-4 | - | 50783 | 70045 | 697 | 45564 | 59259 | 590 | 37515 | 44510 | 443 | 3 | 870 | 48 | 87 | 6 | 4 | 13.2 | 86-7/8 | 89 | 4073 |
| SSTL3-05080-4 | - | 50805 | 78447 | 937 | 48790 | 73619 | 879 | 46264 | 67304 | 804 | 7-1/2 | 1160 | 42 | 93 | 6 | 4 | 11.0 | 74-7/8 | 77 | 3539 |
| SSTL3-05092-3 | - | 50925 | 58950 | 704 | 44552 | 48819 | 583 | 36582 | 37236 | 445 | 3 | 870 | 48 | 87 | 10 | 3 | 18.4 | 74-7/8 | 77 | 4493 |
| SSTL3-05147-3 | - | 51466 | 68154 | 678 | 45813 | 57532 | 572 | 37433 | 43141 | 429 | 3 | 870 | 48 | 87 | 8 | 3 | 17.6 | 86-7/8 | 89 | 4473 |
| SSTL3-05188-4 | - | 51876 | 72380 | 720 | 48776 | 65774 | 654 | 44627 | 57428 | 571 | 5 | 1160 | 42 | 90 | 6 | 4 | 13.2 | 86-7/8 | 89 | 3997 |
| SSTL3-05195-3 | - | 51953 | 76794 | 917 | 49756 | 71703 | 856 | 47043 | 65636 | 784 | 7-1/2 | 1160 | 42 | 93 | 8 | 3 | 14.7 | 74-7/8 | 77 | 3872 |
| SSTL3-05230-4 | - | 52300 | 68149 | 1017 | 49884 | 63247 | 944 | 47193 | 58126 | 868 | 7-1/2 | 1160 | 42 | 93 | 8 | 4 | 11.8 | 62-7/8 | 65 | 3572 |

* Capacity based on R717 refrigerant with either recirculated or flooded feed.
† Sound ratings are based on 6 feet from the unit and under free field conditions.

Engineering Data

SSTL PRODUCT COOLERS — 3 FAN MODELS

| Model No. | 0" ESP | | | | 1/4" ESP | | | 1/2" ESP | | | Fan Data | | | | Coil Data | | | Height | | Shipping Wt. (lbs.) |
|---------------|---------------------|---------|---------------|----------------|---------------------|---------------|----------------|---------------------|---------------|----------------|----------|------|------|------|-----------|-----|--------------|-----------------|----|---------------------|
| | Capacity* (Btuh/TD) | | Airflow (CFM) | Velocity (FPM) | Capacity* (Btuh/TD) | Airflow (CFM) | Velocity (FPM) | Capacity* (Btuh/TD) | Airflow (CFM) | Velocity (FPM) | Motor Hp | RPM | Dia. | dBa† | Rows Deep | fpi | Volume (ft³) | Dimension (in.) | | |
| | Wet | Frosted | | | | | | | | | | | | | | | | Frosted | D | |
| SSTL3-05235-4 | - | 52351 | 60295 | 720 | 46009 | 50049 | 598 | 37833 | 38078 | 455 | 3 | 870 | 48 | 87 | 8 | 4 | 14.7 | 74-7/8 | 77 | 4228 |
| SSTL3-05247-4 | - | 52472 | 55319 | 826 | 48939 | 50055 | 747 | 45054 | 44542 | 665 | 5 | 1160 | 42 | 90 | 10 | 4 | 14.7 | 62-7/8 | 65 | 4064 |
| SSTL3-05281-3 | - | 52812 | 71051 | 707 | 49406 | 64306 | 640 | 45110 | 56246 | 560 | 5 | 1160 | 42 | 90 | 8 | 3 | 17.6 | 86-7/8 | 89 | 4397 |
| SSTL3-05294-4 | 56648 | 52942 | 51008 | 609 | 47805 | 44509 | 531 | 41321 | 36743 | 439 | 3 | 870 | 42 | 86 | 10 | 4 | 18.4 | 74-7/8 | 77 | 4851 |
| SSTL3-05296-4 | - | 52955 | 84086 | 1004 | 49638 | 75779 | 905 | 45329 | 65118 | 778 | 7-1/2 | 870 | 48 | 90 | 6 | 4 | 11.0 | 74-7/8 | 77 | 4035 |
| SSTL3-05386-3 | - | 53856 | 64126 | 766 | 50012 | 57571 | 687 | 45839 | 50818 | 607 | 5 | 1160 | 42 | 90 | 10 | 3 | 18.4 | 74-7/8 | 77 | 4417 |
| SSTL3-05391-3 | - | 53914 | 81267 | 970 | 50131 | 72525 | 866 | 45552 | 62464 | 746 | 7-1/2 | 870 | 48 | 90 | 8 | 3 | 14.7 | 74-7/8 | 77 | 4369 |
| SSTL3-05414-3 | 57928 | 54139 | 59428 | 591 | 48177 | 50680 | 504 | 39511 | 38832 | 386 | 3 | 870 | 42 | 84 | 10 | 3 | 22.1 | 86-7/8 | 89 | 5099 |
| SSTL3-05467-4 | 58502 | 54675 | 50006 | 498 | 47292 | 41474 | 413 | - | - | - | 2 | 870 | 42 | 83 | 10 | 4 | 22.1 | 86-7/8 | 89 | 5476 |
| SSTL3-05474-4 | 59394 | 54741 | 59299 | 590 | 50506 | 52926 | 527 | 45260 | 45489 | 453 | 3 | 1160 | 42 | 93 | 8 | 4 | 17.6 | 86-7/8 | 89 | 4639 |
| SSTL3-05515-4 | - | 55154 | 65330 | 780 | 51267 | 58592 | 700 | 47024 | 51643 | 617 | 5 | 1160 | 42 | 90 | 8 | 4 | 14.7 | 74-7/8 | 77 | 4151 |
| SSTL3-05531-4 | 60012 | 55311 | 60224 | 599 | 49504 | 51468 | 512 | 40738 | 39480 | 393 | 3 | 870 | 42 | 84 | 8 | 4 | 17.6 | 86-7/8 | 89 | 4780 |
| SSTL3-05698-4 | - | 56977 | 56464 | 674 | 49548 | 46712 | 558 | 40446 | 35744 | 427 | 3 | 870 | 48 | 87 | 10 | 4 | 18.4 | 74-7/8 | 77 | 4833 |
| SSTL3-05709-4 | - | 57095 | 62678 | 935 | 53851 | 57496 | 858 | 49810 | 51341 | 766 | 7-1/2 | 1160 | 42 | 93 | 10 | 4 | 14.7 | 62-7/8 | 65 | 4064 |
| SSTL3-05741-3 | - | 57410 | 80766 | 804 | 55045 | 75743 | 754 | 52116 | 69676 | 693 | 7-1/2 | 1160 | 42 | 93 | 8 | 3 | 17.6 | 86-7/8 | 89 | 4390 |
| SSTL3-05748-3 | 61508 | 57484 | 62812 | 625 | 50593 | 54236 | 540 | 41114 | 40931 | 407 | 3 | 870 | 48 | 87 | 10 | 3 | 22.1 | 86-7/8 | 89 | 5119 |
| SSTL3-05906-4 | - | 59063 | 66057 | 657 | 52208 | 55460 | 552 | 42468 | 41744 | 415 | 3 | 870 | 48 | 87 | 8 | 4 | 17.6 | 86-7/8 | 89 | 4800 |
| SSTL3-05930-3 | - | 59299 | 74062 | 884 | 56333 | 68606 | 819 | 53142 | 62912 | 751 | 7-1/2 | 1160 | 42 | 93 | 10 | 3 | 18.4 | 74-7/8 | 77 | 4410 |
| SSTL3-05972-4 | - | 59717 | 90853 | 904 | 56293 | 82578 | 822 | 51547 | 71722 | 714 | 7-1/2 | 870 | 48 | 90 | 6 | 4 | 13.2 | 86-7/8 | 89 | 4486 |
| SSTL3-05990-3 | - | 59900 | 68850 | 685 | 55579 | 61880 | 616 | 50631 | 54290 | 540 | 5 | 1160 | 42 | 90 | 10 | 3 | 22.1 | 86-7/8 | 89 | 5042 |
| SSTL3-06041-4 | - | 60405 | 75123 | 897 | 57571 | 69795 | 833 | 54296 | 63958 | 764 | 7-1/2 | 1160 | 42 | 93 | 8 | 4 | 14.7 | 74-7/8 | 77 | 4144 |
| SSTL3-06043-3 | - | 60435 | 76150 | 909 | 55772 | 67596 | 807 | 50501 | 58399 | 697 | 7-1/2 | 870 | 48 | 90 | 10 | 3 | 18.4 | 74-7/8 | 77 | 4907 |
| SSTL3-06079-3 | - | 60793 | 88230 | 878 | 57116 | 80312 | 799 | 51833 | 69121 | 688 | 7-1/2 | 870 | 48 | 90 | 8 | 3 | 17.6 | 86-7/8 | 89 | 4887 |
| SSTL3-06085-4 | - | 60853 | 62059 | 741 | 56405 | 55794 | 666 | 51608 | 49360 | 589 | 5 | 1160 | 42 | 90 | 10 | 4 | 18.4 | 74-7/8 | 77 | 4757 |
| SSTL3-06101-4 | 65280 | 61009 | 57897 | 576 | 53782 | 49025 | 488 | 43827 | 37647 | 375 | 3 | 870 | 42 | 84 | 10 | 4 | 22.1 | 86-7/8 | 89 | 5507 |
| SSTL3-06119-4 | - | 61190 | 69700 | 694 | 56955 | 62803 | 625 | 51918 | 55023 | 547 | 5 | 1160 | 42 | 90 | 8 | 4 | 17.6 | 86-7/8 | 89 | 4724 |
| SSTL3-06206-4 | - | 62056 | 78319 | 935 | 57380 | 69446 | 829 | 52001 | 59924 | 716 | 7-1/2 | 870 | 48 | 90 | 8 | 4 | 14.7 | 74-7/8 | 77 | 4641 |
| SSTL3-06452-4 | 69037 | 64520 | 62514 | 622 | 56309 | 52107 | 518 | 45488 | 39471 | 393 | 3 | 870 | 48 | 87 | 10 | 4 | 22.1 | 86-7/8 | 89 | 5527 |
| SSTL3-06548-3 | - | 65477 | 78420 | 780 | 62686 | 73576 | 732 | 58922 | 67265 | 669 | 7-1/2 | 1160 | 42 | 93 | 10 | 3 | 22.1 | 86-7/8 | 89 | 5035 |
| SSTL3-06672-4 | - | 66725 | 79333 | 789 | 63869 | 74446 | 741 | 60254 | 68189 | 678 | 7-1/2 | 1160 | 42 | 93 | 8 | 4 | 17.6 | 86-7/8 | 89 | 4717 |
| SSTL3-06786-4 | - | 67857 | 72599 | 867 | 62503 | 64528 | 770 | 56432 | 55842 | 667 | 7-1/2 | 870 | 48 | 90 | 10 | 4 | 18.4 | 74-7/8 | 77 | 5247 |
| SSTL3-06796-4 | - | 67961 | 67287 | 670 | 62705 | 60243 | 599 | 57010 | 52970 | 527 | 5 | 1160 | 42 | 90 | 10 | 4 | 22.1 | 86-7/8 | 89 | 5451 |
| SSTL3-06863-3 | - | 68634 | 84040 | 836 | 63892 | 75711 | 753 | 57558 | 65056 | 647 | 7-1/2 | 870 | 48 | 90 | 10 | 3 | 22.1 | 86-7/8 | 89 | 5532 |
| SSTL3-07017-4 | - | 70172 | 85643 | 852 | 65709 | 77593 | 772 | 59276 | 66577 | 662 | 7-1/2 | 870 | 48 | 90 | 8 | 4 | 17.6 | 86-7/8 | 89 | 5213 |
| SSTL3-07464-4 | - | 74643 | 76807 | 764 | 71084 | 71715 | 714 | 66723 | 65627 | 653 | 7-1/2 | 1160 | 42 | 93 | 10 | 4 | 22.1 | 86-7/8 | 89 | 5444 |
| SSTL3-07768-4 | - | 77678 | 81308 | 809 | 71658 | 72547 | 722 | 64366 | 62455 | 621 | 7-1/2 | 870 | 48 | 90 | 10 | 4 | 22.1 | 86-7/8 | 89 | 5940 |

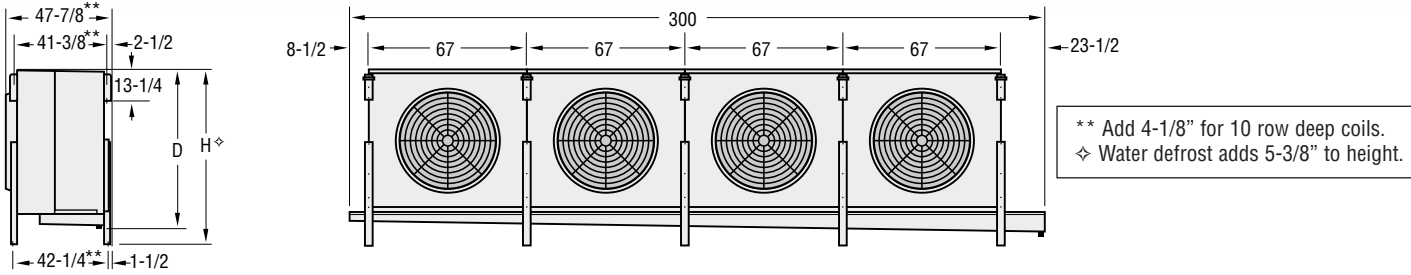
* Capacity based on R717 refrigerant with either recirculated or flooded feed.

† Sound ratings are based on 6 feet from the unit and under free field conditions.



STAINLESS STEEL EVAPORATORS

Engineering Data



SSTL PRODUCT COOLERS — 4 FAN MODELS

| Model No. | 0" ESP | | | | 1/4" ESP | | | 1/2" ESP | | | Fan Data | | | | Coil Data | | | Height | | Shipping Wt. (lbs.) |
|---------------|---------------------|---------|---------------|----------------|---------------------|---------------|----------------|---------------------|---------------|----------------|----------|------|------|------|-----------|-----|--------------|--------|----|---------------------|
| | Capacity* (Btuh/TD) | | Airflow (CFM) | Velocity (FPM) | Capacity* (Btuh/TD) | Airflow (CFM) | Velocity (FPM) | Capacity* (Btuh/TD) | Airflow (CFM) | Velocity (FPM) | Motor Hp | RPM | Dia. | dBA† | Rows Deep | fpi | Volume (ft³) | D | H | |
| | Wet | Frosted | | | | | | | | | | | | | | | | | | |
| SSTL4-03583-3 | 39409 | 35827 | 55833 | 625 | 30808 | 45526 | 510 | - | - | - | 1-1/2 | 870 | 42 | 83 | 6 | 3 | 11.7 | 64-1/2 | 65 | 3714 |
| SSTL4-03873-3 | - | 38731 | 64800 | 725 | 34270 | 53522 | 599 | 27388 | 38253 | 428 | 2 | 870 | 42 | 84 | 6 | 3 | 11.7 | 64-1/2 | 65 | 3871 |
| SSTL4-04059-3 | 44649 | 40590 | 61618 | 552 | 35021 | 49502 | 443 | - | - | - | 1-1/2 | 870 | 42 | 83 | 6 | 3 | 14.6 | 76-1/2 | 77 | 4252 |
| SSTL4-04092-4 | 45008 | 40917 | 53459 | 598 | 34290 | 41254 | 462 | - | - | - | 1-1/2 | 1160 | 42 | 85 | 6 | 4 | 11.7 | 64-1/2 | 65 | 3798 |
| SSTL4-04213-4 | 46338 | 42126 | 55833 | 625 | 35898 | 44101 | 494 | - | - | - | 1-1/2 | 870 | 42 | 83 | 6 | 4 | 11.7 | 64-1/2 | 65 | 3932 |
| SSTL4-04220-3 | - | 42197 | 74503 | 834 | 39258 | 66307 | 742 | 35801 | 57284 | 641 | 3 | 1160 | 42 | 94 | 6 | 3 | 11.7 | 64-1/2 | 65 | 3725 |
| SSTL4-04243-3 | 46036 | 42429 | 54161 | 606 | 35855 | 42588 | 477 | - | - | - | 1-1/2 | 870 | 42 | 83 | 8 | 3 | 15.6 | 64-1/2 | 65 | 4282 |
| SSTL4-04404-3 | 48445 | 44041 | 69751 | 625 | 39156 | 58331 | 522 | 31183 | 41790 | 374 | 2 | 870 | 42 | 84 | 6 | 3 | 14.6 | 76-1/2 | 77 | 4409 |
| SSTL4-04405-4 | - | 44049 | 59866 | 670 | 39170 | 50091 | 561 | 32698 | 38463 | 431 | 2 | 1160 | 42 | 90 | 6 | 4 | 11.7 | 64-1/2 | 65 | 3869 |
| SSTL4-04438-3 | 48817 | 44379 | 69792 | 625 | 40581 | 61571 | 551 | 36306 | 52113 | 467 | 3 | 1160 | 42 | 92 | 6 | 3 | 14.6 | 76-1/2 | 77 | 4264 |
| SSTL4-04446-3 | 48910 | 44463 | 64478 | 481 | 38230 | 51713 | 386 | - | - | - | 1-1/2 | 870 | 42 | 83 | 6 | 3 | 17.6 | 88-1/2 | 89 | 4790 |
| SSTL4-04558-4 | - | 45579 | 63134 | 707 | 40119 | 51931 | 581 | 31857 | 37070 | 415 | 2 | 870 | 42 | 84 | 6 | 4 | 11.7 | 64-1/2 | 65 | 4088 |
| SSTL4-04613-3 | - | 46134 | 86585 | 969 | 43247 | 77702 | 870 | 40067 | 68537 | 767 | 5 | 1160 | 42 | 91 | 6 | 3 | 11.7 | 64-1/2 | 65 | 3838 |
| SSTL4-04719-3 | 50495 | 47191 | 51464 | 576 | 39366 | 40187 | 450 | - | - | - | 1-1/2 | 870 | 42 | 83 | 10 | 3 | 19.5 | 64-1/2 | 65 | 4851 |
| SSTL4-04785-4 | 52633 | 47848 | 60398 | 541 | 41150 | 48542 | 435 | - | - | - | 1-1/2 | 870 | 42 | 83 | 6 | 4 | 14.6 | 76-1/2 | 77 | 4524 |
| SSTL4-04791-3 | - | 47915 | 79672 | 713 | 44553 | 71102 | 637 | 40392 | 61139 | 548 | 3 | 1160 | 42 | 94 | 6 | 3 | 14.6 | 76-1/2 | 77 | 4264 |
| SSTL4-04843-3 | 53275 | 48432 | 73196 | 546 | 43172 | 61698 | 460 | - | - | - | 2 | 870 | 42 | 84 | 6 | 3 | 17.6 | 88-1/2 | 89 | 4947 |
| SSTL4-04854-4 | 52668 | 48542 | 52475 | 587 | 40688 | 41071 | 460 | - | - | - | 1-1/2 | 870 | 42 | 83 | 8 | 4 | 15.6 | 64-1/2 | 65 | 4573 |
| SSTL4-04943-4 | - | 49435 | 71968 | 806 | 44305 | 60487 | 677 | 37447 | 46852 | 524 | 3 | 870 | 42 | 85 | 6 | 4 | 11.7 | 64-1/2 | 65 | 4131 |
| SSTL4-04970-4 | - | 49704 | 72744 | 814 | 46235 | 64660 | 724 | 42074 | 55961 | 626 | 3 | 1160 | 42 | 94 | 6 | 4 | 11.7 | 64-1/2 | 65 | 3943 |
| SSTL4-04994-3 | - | 49938 | 69375 | 777 | 44387 | 58086 | 650 | 37355 | 45177 | 506 | 3 | 870 | 42 | 85 | 8 | 3 | 15.6 | 64-1/2 | 65 | 4482 |
| SSTL4-05005-3 | - | 50050 | 99674 | 1116 | 47873 | 92532 | 1036 | 45561 | 84835 | 950 | 7-1/2 | 1160 | 42 | 94 | 6 | 3 | 11.7 | 64-1/2 | 65 | 3829 |
| SSTL4-05057-3 | - | 50569 | 70775 | 792 | 46769 | 62843 | 703 | 42324 | 54122 | 606 | 3 | 1160 | 42 | 94 | 8 | 3 | 15.6 | 64-1/2 | 65 | 4294 |
| SSTL4-05113-3 | 54707 | 51128 | 55833 | 625 | 44268 | 47171 | 528 | 34588 | 33833 | 379 | 2 | 870 | 42 | 84 | 10 | 3 | 19.5 | 64-1/2 | 65 | 5008 |
| SSTL4-05135-3 | - | 51351 | 89237 | 799 | 46121 | 75094 | 672 | 38315 | 56471 | 506 | 3 | 870 | 48 | 88 | 6 | 3 | 14.6 | 76-1/2 | 77 | 4478 |
| SSTL4-05184-4 | 57020 | 51836 | 68315 | 612 | 45914 | 56904 | 510 | 30444 | 40708 | 365 | 2 | 870 | 42 | 84 | 6 | 4 | 14.6 | 76-1/2 | 77 | 4681 |
| SSTL4-05242-3 | 56880 | 52424 | 66722 | 598 | 46070 | 55356 | 496 | 36174 | 39579 | 354 | 2 | 870 | 42 | 84 | 8 | 3 | 19.5 | 76-1/2 | 77 | 5119 |
| SSTL4-05245-4 | 57690 | 52445 | 63443 | 473 | 44892 | 50905 | 380 | - | - | - | 1-1/2 | 870 | 42 | 83 | 6 | 4 | 17.6 | 88-1/2 | 89 | 5117 |
| SSTL4-05265-4 | - | 52655 | 59036 | 661 | 45737 | 48342 | 541 | 35793 | 34558 | 387 | 2 | 870 | 42 | 84 | 8 | 4 | 15.6 | 64-1/2 | 65 | 4730 |
| SSTL4-05280-4 | 56498 | 52802 | 49696 | 556 | 43572 | 38625 | 432 | - | - | - | 1-1/2 | 870 | 42 | 83 | 10 | 4 | 19.5 | 64-1/2 | 65 | 5214 |
| SSTL4-05291-3 | - | 52914 | 93666 | 839 | 49687 | 84566 | 757 | 45657 | 74059 | 663 | 5 | 1160 | 42 | 91 | 6 | 3 | 14.6 | 76-1/2 | 77 | 4376 |
| SSTL4-05350-3 | 58847 | 53497 | 83750 | 625 | 48520 | 73601 | 549 | 40825 | 56851 | 424 | 3 | 870 | 42 | 85 | 6 | 3 | 17.6 | 88-1/2 | 89 | 4990 |

* Capacity based on R717 refrigerant with either recirculated or flooded feed.

† Sound ratings are based on 6 feet from the unit and under free field conditions.



EVAPORATORS

STAINLESS STEEL

Engineering Data

SSTL PRODUCT COOLERS — 4 FAN MODELS

| Model No. | 0" ESP | | | | 1/4" ESP | | | 1/2" ESP | | | Fan Data | | | | Coil Data | | | Height | | Shipping Wt. (lbs.) |
|---------------|---------------------|---------|---------------|----------------|---------------------|---------------|----------------|---------------------|---------------|----------------|----------|------|------|-----|-----------|-----|--------------|-----------------|----|---------------------|
| | Capacity* (Btuh/TD) | | Airflow (CFM) | Velocity (FPM) | Capacity* (Btuh/TD) | Airflow (CFM) | Velocity (FPM) | Capacity* (Btuh/TD) | Airflow (CFM) | Velocity (FPM) | Motor Hp | RPM | Dia. | dB† | Rows Deep | fpi | Volume (ft³) | Dimension (in.) | | |
| | Wet | Frosted | | | | | | | | | | | | | | | | D | H | |
| SSTL4-05387-3 | 57641 | 53871 | 56719 | 508 | 45241 | 44896 | 402 | - | - | - | 1-1/2 | 870 | 42 | 83 | 10 | 3 | 24.4 | 76-1/2 | 77 | 5674 |
| SSTL4-05419-3 | 58793 | 54187 | 69792 | 625 | 48468 | 59531 | 533 | 41336 | 47520 | 426 | 3 | 1160 | 42 | 92 | 8 | 3 | 19.5 | 76-1/2 | 77 | 4966 |
| SSTL4-05429-4 | - | 54291 | 83975 | 940 | 50888 | 75461 | 845 | 47147 | 66702 | 747 | 5 | 1160 | 42 | 91 | 6 | 4 | 11.7 | 64-1/2 | 65 | 4056 |
| SSTL4-05511-3 | - | 55110 | 81109 | 908 | 51546 | 73010 | 817 | 47667 | 64693 | 724 | 5 | 1160 | 42 | 91 | 8 | 3 | 15.6 | 64-1/2 | 65 | 4407 |
| SSTL4-05534-4 | 60042 | 55339 | 57643 | 516 | 46696 | 45730 | 410 | - | - | - | 1-1/2 | 870 | 42 | 83 | 8 | 4 | 19.5 | 76-1/2 | 77 | 5326 |
| SSTL4-05655-4 | - | 56551 | 78204 | 700 | 52595 | 69781 | 625 | 47596 | 60017 | 537 | 3.0 | 1160 | 42 | 94 | 6 | 4 | 14.6 | 76-1/2 | 77 | 4536 |
| SSTL4-05705-3 | - | 57049 | 106545 | 954 | 54963 | 99959 | 895 | 52223 | 91729 | 821 | 7-1/2 | 1160 | 42 | 94 | 6 | 3 | 14.6 | 76-1/2 | 77 | 4367 |
| SSTL4-05717-4 | 62892 | 57175 | 71954 | 537 | 50716 | 60518 | 452 | - | - | - | 2 | 870 | 42 | 84 | 6 | 4 | 17.6 | 88-1/2 | 89 | 5274 |
| SSTL4-05719-4 | 61198 | 57194 | 55413 | 620 | 49106 | 45162 | 506 | 31117 | 32512 | 364 | 2 | 870 | 42 | 84 | 10 | 4 | 19.5 | 64-1/2 | 65 | 5371 |
| SSTL4-05721-4 | - | 57208 | 66800 | 748 | 50578 | 55761 | 624 | 42429 | 43507 | 487 | 3 | 870 | 42 | 85 | 8 | 4 | 15.6 | 64-1/2 | 65 | 4772 |
| SSTL4-05747-3 | - | 57472 | 95671 | 714 | 51723 | 81060 | 605 | 42867 | 61068 | 456 | 3 | 870 | 48 | 88 | 6 | 3 | 17.6 | 88-1/2 | 89 | 5016 |
| SSTL4-05748-3 | - | 57477 | 76549 | 686 | 53204 | 68208 | 611 | 48023 | 58786 | 526 | 3 | 1160 | 42 | 94 | 8 | 3 | 19.5 | 76-1/2 | 77 | 4974 |
| SSTL4-05769-3 | 62596 | 57692 | 70583 | 527 | 50920 | 59144 | 441 | - | - | - | 2 | 870 | 42 | 84 | 8 | 3 | 23.4 | 88-1/2 | 89 | 5800 |
| SSTL4-05828-4 | - | 58279 | 68662 | 769 | 53809 | 61024 | 683 | 48290 | 52168 | 584 | 3 | 1160 | 42 | 94 | 8 | 4 | 15.6 | 64-1/2 | 65 | 4584 |
| SSTL4-05841-3 | - | 58411 | 98100 | 732 | 55100 | 89456 | 668 | 50451 | 77995 | 582 | 5 | 1160 | 42 | 91 | 6 | 3 | 17.6 | 88-1/2 | 89 | 4914 |
| SSTL4-05900-4 | - | 58998 | 97147 | 1087 | 56371 | 89960 | 1007 | 53704 | 82541 | 924 | 7-1/2 | 1160 | 42 | 94 | 6 | 4 | 11.7 | 64-1/2 | 65 | 4047 |
| SSTL4-05990-3 | - | 59895 | 115529 | 1035 | 56627 | 105085 | 941 | 51664 | 90135 | 807 | 7-1/2 | 870 | 48 | 92 | 6 | 3 | 14.6 | 76-1/2 | 77 | 5029 |
| SSTL4-06034-3 | - | 60337 | 93946 | 1052 | 57527 | 87105 | 975 | 54610 | 79996 | 895 | 7-1/2 | 1160 | 42 | 94 | 8 | 3 | 15.6 | 64-1/2 | 65 | 4398 |
| SSTL4-06035-4 | 65476 | 60347 | 65089 | 583 | 52610 | 53772 | 482 | - | - | - | 2 | 870 | 42 | 84 | 8 | 4 | 19.5 | 76-1/2 | 77 | 5483 |
| SSTL4-06037-4 | - | 60366 | 86419 | 774 | 53859 | 72390 | 648 | 44649 | 54635 | 489 | 3 | 870 | 48 | 88 | 6 | 4 | 14.6 | 76-1/2 | 77 | 4750 |
| SSTL4-06091-3 | - | 60910 | 83372 | 747 | 53892 | 69529 | 623 | 44500 | 52704 | 472 | 3 | 870 | 48 | 88 | 8 | 3 | 19.5 | 76-1/2 | 77 | 5188 |
| SSTL4-06197-3 | - | 61972 | 76626 | 858 | 57874 | 69201 | 775 | 53388 | 61483 | 688 | 5 | 1160 | 42 | 91 | 10 | 3 | 19.5 | 64-1/2 | 65 | 4975 |
| SSTL4-06217-4 | 68392 | 62175 | 81922 | 611 | 57631 | 72981 | 545 | 52031 | 62802 | 469 | 3 | 1160 | 42 | 94 | 6 | 4 | 17.6 | 88-1/2 | 89 | 5128 |
| SSTL4-06246-3 | 66835 | 62463 | 69765 | 625 | 56843 | 61196 | 548 | 49323 | 50390 | 451 | 3 | 870 | 42 | 87 | 10 | 3 | 24.4 | 76-1/2 | 77 | 5923 |
| SSTL4-06259-4 | - | 62592 | 91848 | 823 | 58572 | 82561 | 739 | 53880 | 72434 | 649 | 5 | 1160 | 42 | 91 | 6 | 4 | 14.6 | 76-1/2 | 77 | 4648 |
| SSTL4-06306-3 | - | 63065 | 111100 | 829 | 60568 | 104140 | 777 | 57726 | 96554 | 721 | 7-1/2 | 1160 | 42 | 94 | 6 | 3 | 17.6 | 88-1/2 | 89 | 4905 |
| SSTL4-06314-4 | 69449 | 63135 | 83687 | 625 | 57137 | 72058 | 538 | 47749 | 55535 | 414 | 3 | 870 | 42 | 85 | 6 | 4 | 17.6 | 88-1/2 | 89 | 5316 |
| SSTL4-06348-4 | - | 63481 | 78332 | 877 | 59337 | 70648 | 791 | 54799 | 62697 | 702 | 5 | 1160 | 42 | 91 | 8 | 4 | 15.6 | 64-1/2 | 65 | 4697 |
| SSTL4-06376-3 | - | 63761 | 89718 | 803 | 59334 | 80346 | 720 | 54484 | 70662 | 633 | 5 | 1160 | 42 | 91 | 8 | 3 | 19.5 | 76-1/2 | 77 | 5087 |
| SSTL4-06406-3 | 69504 | 64059 | 82022 | 612 | 57563 | 70368 | 525 | 47762 | 54116 | 404 | 3 | 870 | 42 | 85 | 8 | 3 | 23.4 | 88-1/2 | 89 | 5842 |
| SSTL4-06416-4 | - | 64159 | 65075 | 728 | 59052 | 57988 | 649 | 52203 | 49004 | 549 | 3 | 1160 | 42 | 94 | 10 | 4 | 19.5 | 64-1/2 | 65 | 5225 |
| SSTL4-06475-3 | 69285 | 64753 | 68270 | 509 | 56534 | 56857 | 424 | - | - | - | 2 | 870 | 42 | 84 | 10 | 3 | 29.3 | 88-1/2 | 89 | 6653 |
| SSTL4-06492-3 | - | 64920 | 73768 | 661 | 59742 | 65608 | 588 | 53800 | 56714 | 508 | 3 | 1160 | 42 | 94 | 10 | 3 | 24.4 | 76-1/2 | 77 | 5685 |
| SSTL4-06644-4 | 72092 | 66445 | 69144 | 516 | 58177 | 57710 | 431 | - | - | - | 2 | 870 | 42 | 84 | 8 | 4 | 23.4 | 88-1/2 | 89 | 6235 |
| SSTL4-06645-4 | - | 66447 | 74832 | 670 | 61263 | 66594 | 596 | 55215 | 57496 | 515 | 3 | 1160 | 42 | 94 | 8 | 4 | 19.5 | 76-1/2 | 77 | 5337 |
| SSTL4-06722-3 | - | 67221 | 86811 | 972 | 63743 | 80075 | 896 | 59171 | 71525 | 801 | 7-1/2 | 1160 | 42 | 94 | 10 | 3 | 19.5 | 64-1/2 | 65 | 4975 |
| SSTL4-06741-3 | - | 67411 | 124281 | 927 | 63508 | 112839 | 842 | 58662 | 98862 | 738 | 7-1/2 | 870 | 48 | 92 | 6 | 3 | 17.6 | 88-1/2 | 89 | 5567 |
| SSTL4-06774-4 | - | 67743 | 104605 | 937 | 64958 | 98167 | 879 | 61685 | 89739 | 804 | 7-1/2 | 1160 | 42 | 94 | 6 | 4 | 14.6 | 76-1/2 | 77 | 4639 |
| SSTL4-06782-4 | - | 67820 | 93393 | 697 | 60752 | 79011 | 590 | 50021 | 59347 | 443 | 3 | 870 | 48 | 88 | 6 | 4 | 17.6 | 88-1/2 | 89 | 5342 |
| SSTL4-06790-3 | - | 67899 | 78599 | 704 | 59407 | 65099 | 583 | 48780 | 49649 | 445 | 3 | 870 | 48 | 88 | 10 | 3 | 24.4 | 76-1/2 | 77 | 5899 |
| SSTL4-06863-3 | - | 68626 | 90881 | 678 | 61084 | 76710 | 572 | 49911 | 57522 | 429 | 3 | 870 | 48 | 88 | 8 | 3 | 23.4 | 88-1/2 | 89 | 5868 |
| SSTL4-06917-4 | - | 69172 | 96517 | 720 | 65034 | 87697 | 654 | 59507 | 76580 | 571 | 5 | 1160 | 42 | 91 | 6 | 4 | 17.6 | 88-1/2 | 89 | 5241 |
| SSTL4-06934-3 | - | 69336 | 102393 | 917 | 66307 | 95611 | 856 | 62723 | 87515 | 784 | 7-1/2 | 1160 | 42 | 94 | 8 | 3 | 19.5 | 76-1/2 | 77 | 5078 |
| SSTL4-06966-4 | - | 69664 | 90874 | 1017 | 66512 | 84330 | 944 | 62925 | 77502 | 868 | 7-1/2 | 1160 | 42 | 94 | 8 | 4 | 15.6 | 64-1/2 | 65 | 4688 |

* Capacity based on R717 refrigerant with either recirculated or flooded feed.

† Sound ratings are based on 6 feet from the unit and under free field conditions.



STAINLESS STEEL

E V A P O R A T O R S

Engineering Data

SSTL PRODUCT COOLERS — 4 FAN MODELS

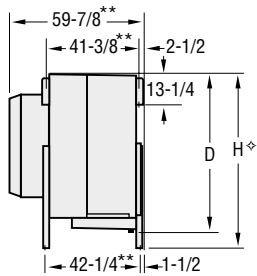
| Model No. | 0" ESP | | | | 1/4" ESP | | | 1/2" ESP | | | Fan Data | | | | Coil Data | | | Height | | Shipping Wt. (lbs.) | | |
|---------------|---------------------|---------|---------------|----------------|---------------------|--------|---------------|----------------|---------------------|-----|---------------|----------------|----------|-----|-----------|------|-----------|--------|--------------|---------------------|-----------------|---|
| | Capacity* (Btuh/TD) | | Airflow (CFM) | Velocity (FPM) | Capacity* (Btuh/TD) | | Airflow (CFM) | Velocity (FPM) | Capacity* (Btuh/TD) | | Airflow (CFM) | Velocity (FPM) | Motor Hp | RPM | Dia. | dBA† | Rows Deep | fpi | Volume (ft³) | | Dimension (in.) | |
| | Wet | Frosted | | | Frosted | | | | Frosted | | | | | | | | | | | | D | H |
| SSTL4-06980-4 | - | 69801 | 80394 | 720 | 61350 | 66741 | 598 | 50444 | 50771 | 455 | 3 | 870 | 48 | 88 | 8 | 4 | 19.5 | 76-1/2 | 77 | 5551 | | |
| SSTL4-06996-4 | - | 69963 | 73759 | 826 | 65253 | 66741 | 747 | 60071 | 59390 | 665 | 5 | 1160 | 42 | 91 | 10 | 4 | 19.5 | 64-1/2 | 65 | 5338 | | |
| SSTL4-07042-3 | - | 70421 | 94745 | 707 | 65873 | 85741 | 640 | 60150 | 75002 | 560 | 5 | 1160 | 42 | 91 | 8 | 3 | 23.4 | 88-1/2 | 89 | 5767 | | |
| SSTL4-07060-4 | 75538 | 70596 | 68020 | 609 | 63740 | 59345 | 531 | 55094 | 48989 | 439 | 3 | 870 | 42 | 87 | 10 | 4 | 24.4 | 76-1/2 | 77 | 6376 | | |
| SSTL4-07061-4 | - | 70610 | 112123 | 1004 | 66314 | 101037 | 905 | 60439 | 86823 | 778 | 7-1/2 | 870 | 48 | 92 | 6 | 4 | 14.6 | 76-1/2 | 77 | 5301 | | |
| SSTL4-07171-3 | - | 71710 | 108363 | 970 | 66786 | 96709 | 866 | 60740 | 83293 | 746 | 7-1/2 | 870 | 48 | 92 | 8 | 3 | 19.5 | 76-1/2 | 77 | 5740 | | |
| SSTL4-07181-3 | - | 71813 | 85509 | 766 | 66682 | 76761 | 687 | 61119 | 67757 | 607 | 5 | 1160 | 42 | 91 | 10 | 3 | 24.4 | 76-1/2 | 77 | 5797 | | |
| SSTL4-07219-3 | 77239 | 72186 | 79238 | 591 | 64236 | 67573 | 504 | 52681 | 51776 | 386 | 3 | 870 | 42 | 85 | 10 | 3 | 29.3 | 88-1/2 | 89 | 6695 | | |
| SSTL4-07291-4 | 78011 | 72908 | 66685 | 498 | 63056 | 55299 | 413 | - | - | - | 2 | 870 | 42 | 84 | 10 | 4 | 29.3 | 88-1/2 | 89 | 7197 | | |
| SSTL4-07303-4 | 79243 | 73035 | 79066 | 590 | 67345 | 70574 | 527 | 60351 | 60658 | 453 | 3 | 1160 | 42 | 94 | 8 | 4 | 23.4 | 88-1/2 | 89 | 6090 | | |
| SSTL4-07354-4 | - | 73544 | 87115 | 780 | 68307 | 78131 | 700 | 62699 | 68857 | 617 | 5 | 1160 | 42 | 91 | 8 | 4 | 19.5 | 76-1/2 | 77 | 5450 | | |
| SSTL4-07386-4 | 80135 | 73857 | 80299 | 599 | 66005 | 68624 | 512 | 54317 | 52640 | 393 | 3 | 870 | 42 | 85 | 8 | 4 | 23.4 | 88-1/2 | 89 | 6278 | | |
| SSTL4-07597-4 | - | 75969 | 75285 | 674 | 66065 | 62282 | 558 | 53934 | 47667 | 427 | 3 | 870 | 48 | 88 | 10 | 4 | 24.4 | 76-1/2 | 77 | 6352 | | |
| SSTL4-07613-4 | - | 76127 | 83572 | 936 | 71802 | 76662 | 858 | 66414 | 68454 | 766 | 7-1/2 | 1160 | 42 | 94 | 10 | 4 | 19.5 | 64-1/2 | 65 | 5338 | | |
| SSTL4-07655-3 | - | 76551 | 107699 | 804 | 73396 | 100999 | 754 | 69489 | 92902 | 693 | 7-1/2 | 1160 | 42 | 94 | 8 | 3 | 23.4 | 88-1/2 | 89 | 5758 | | |
| SSTL4-07665-3 | 82015 | 76650 | 83750 | 625 | 67458 | 72314 | 540 | 54818 | 54575 | 407 | 3 | 870 | 48 | 88 | 10 | 3 | 29.3 | 88-1/2 | 89 | 6721 | | |
| SSTL4-07876-4 | - | 78756 | 88085 | 657 | 69610 | 73946 | 552 | 56624 | 55658 | 415 | 3 | 870 | 48 | 88 | 8 | 4 | 23.4 | 88-1/2 | 89 | 6304 | | |
| SSTL4-07907-3 | - | 79066 | 98750 | 884 | 75114 | 91482 | 819 | 70860 | 83890 | 751 | 7-1/2 | 1160 | 42 | 94 | 10 | 3 | 24.4 | 76-1/2 | 77 | 5788 | | |
| SSTL4-07962-4 | - | 79622 | 121137 | 904 | 75061 | 110112 | 822 | 68616 | 95637 | 714 | 7-1/2 | 870 | 48 | 92 | 6 | 4 | 17.6 | 88-1/2 | 89 | 5894 | | |
| SSTL4-07987-3 | - | 79867 | 91801 | 685 | 74110 | 82513 | 616 | 67507 | 72385 | 540 | 5 | 1160 | 42 | 91 | 10 | 3 | 29.3 | 88-1/2 | 89 | 6620 | | |
| SSTL4-08054-4 | - | 80541 | 100164 | 897 | 76766 | 93068 | 833 | 72398 | 85284 | 764 | 7-1/2 | 1160 | 42 | 94 | 8 | 4 | 19.5 | 76-1/2 | 77 | 5440 | | |
| SSTL4-08058-3 | - | 80580 | 101534 | 909 | 74362 | 90127 | 807 | 67316 | 77873 | 697 | 7-1/2 | 870 | 48 | 92 | 10 | 3 | 24.4 | 76-1/2 | 77 | 6450 | | |
| SSTL4-08106-3 | - | 81058 | 117641 | 878 | 76216 | 107082 | 799 | 69111 | 92162 | 688 | 7-1/2 | 870 | 48 | 92 | 8 | 3 | 23.4 | 88-1/2 | 89 | 6420 | | |
| SSTL4-08114-4 | - | 81143 | 82755 | 741 | 75211 | 74400 | 666 | 68815 | 65820 | 589 | 5 | 1160 | 42 | 91 | 10 | 4 | 24.4 | 76-1/2 | 77 | 6251 | | |
| SSTL4-08135-4 | 87040 | 81346 | 77197 | 576 | 71709 | 65366 | 488 | 58436 | 50196 | 375 | 3 | 870 | 42 | 85 | 10 | 4 | 29.3 | 88-1/2 | 89 | 7240 | | |
| SSTL4-08159-4 | - | 81587 | 92934 | 694 | 75944 | 83744 | 625 | 69186 | 73371 | 548 | 5 | 1160 | 42 | 91 | 8 | 4 | 23.4 | 88-1/2 | 89 | 6202 | | |
| SSTL4-08274-4 | - | 82741 | 104425 | 935 | 76507 | 92595 | 829 | 69389 | 79897 | 715 | 7-1/2 | 870 | 48 | 92 | 8 | 4 | 19.5 | 76-1/2 | 77 | 6102 | | |
| SSTL4-08601-4 | 92026 | 86005 | 83360 | 622 | 75077 | 69476 | 518 | 60652 | 52629 | 393 | 3 | 870 | 48 | 88 | 10 | 4 | 29.3 | 88-1/2 | 89 | 7265 | | |
| SSTL4-08730-3 | - | 87303 | 104560 | 780 | 83586 | 98110 | 732 | 78568 | 89694 | 669 | 7-1/2 | 1160 | 42 | 94 | 10 | 3 | 29.3 | 88-1/2 | 89 | 6610 | | |
| SSTL4-08897-4 | - | 88967 | 105778 | 789 | 85161 | 99267 | 741 | 80343 | 90926 | 679 | 7-1/2 | 1160 | 42 | 94 | 8 | 4 | 23.4 | 88-1/2 | 89 | 6193 | | |
| SSTL4-09048-4 | - | 90476 | 96799 | 867 | 83338 | 86037 | 770 | 75243 | 74457 | 667 | 7-1/2 | 870 | 48 | 92 | 10 | 4 | 24.4 | 76-1/2 | 77 | 6904 | | |
| SSTL4-09061-4 | - | 90615 | 89716 | 670 | 83612 | 80332 | 599 | 76018 | 70634 | 527 | 5 | 1160 | 42 | 91 | 10 | 4 | 29.3 | 88-1/2 | 89 | 7164 | | |
| SSTL4-09151-3 | - | 91512 | 112053 | 836 | 85190 | 100948 | 753 | 76744 | 86741 | 647 | 7-1/2 | 870 | 48 | 92 | 10 | 3 | 29.3 | 88-1/2 | 89 | 7272 | | |
| SSTL4-09356-4 | - | 93563 | 114192 | 852 | 87612 | 103457 | 772 | 79035 | 88769 | 662 | 7-1/2 | 870 | 48 | 92 | 8 | 4 | 23.4 | 88-1/2 | 89 | 6855 | | |
| SSTL4-09949-4 | - | 99488 | 102417 | 764 | 94777 | 95620 | 714 | 88970 | 87513 | 653 | 7-1/2 | 1160 | 42 | 94 | 10 | 4 | 29.3 | 88-1/2 | 89 | 7155 | | |
| SSTL4-10357-4 | - | 103570 | 108410 | 809 | 95544 | 96730 | 722 | 85822 | 83274 | 621 | 7-1/2 | 870 | 48 | 92 | 10 | 4 | 29.3 | 88-1/2 | 89 | 7817 | | |

* Capacity based on R717 refrigerant with either recirculated or flooded feed.

† Sound ratings are based on 6 feet from the unit and under free field conditions.

SSTL AIR DISCHARGE OPTIONS

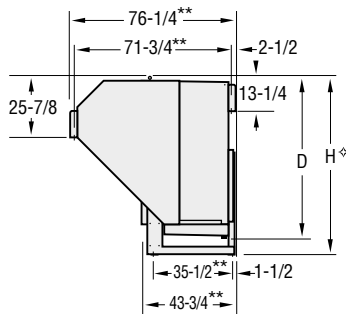
LONG THROW ADAPTERS



Long throw adapters add 12" to the standard unit width. SSTL Models with long throw adapters have the same length and height dimensions as standard models.

** Add 4-1/8" for 10 row deep coils.
 ◇ Water defrost adds 5-3/8" to height.

45° DOWNBLOW



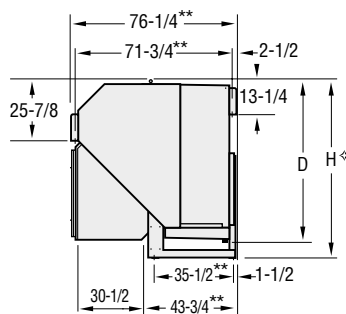
45° DOWNBLOW PHYSICAL DATA

| Standard Unit H ◇ | 45° DB H ◇ | D | | | |
|----------------------|---------------|-------|--------|--------|--------|
| | | SSTL1 | SSTL2 | SSTL3 | SSTL4 |
| 65 | 66-7/8 | 62 | 63-3/8 | 64-3/4 | 66-3/8 |
| 77 | 78-7/8 | 74 | 75-3/8 | 76-3/4 | 78-3/8 |
| 89 | 90-7/8 | 86 | 87-3/8 | 88-3/4 | 90-3/8 |

SSTL Models with 45° downblow option have the same length dimensions as standard models.

** Add 4-1/8" for 10 row deep coils.
 ◇ Water defrost adds 3-1/2" to height.

90° PENTHOUSE



90° PENTHOUSE PHYSICAL DATA

| Standard Unit H ◇ | 90° PH H ◇ | D | | | |
|----------------------|---------------|-------|--------|--------|--------|
| | | SSTL1 | SSTL2 | SSTL3 | SSTL4 |
| 65 | 66-7/8 | 62 | 63-3/8 | 64-3/4 | 66-3/8 |
| 77 | 78-7/8 | 74 | 75-3/8 | 76-3/4 | 78-3/8 |
| 89 | 90-7/8 | 86 | 87-3/8 | 88-3/4 | 90-3/8 |

SSTL Models with 90° penthouse option have the same length dimensions as standard models.

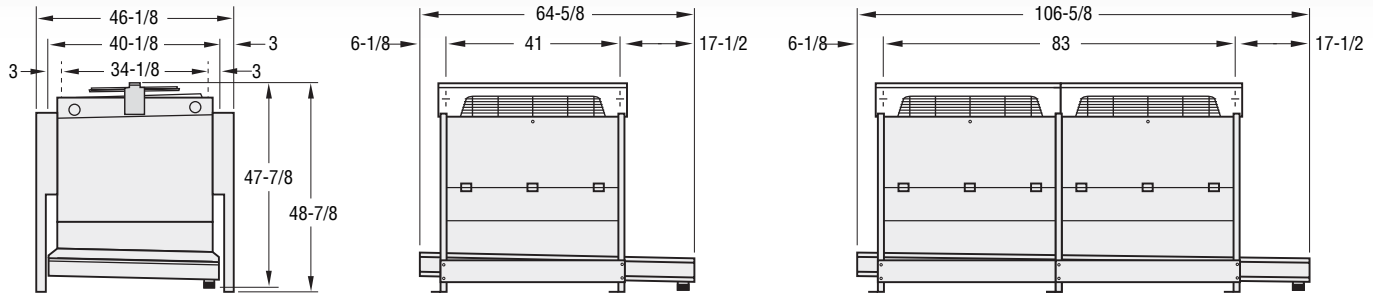
** Add 4-1/8" for 10 row deep coils.
 ◇ Water defrost adds 3-1/2" to height.



SST

STAINLESS STEEL EVAPORATORS

Engineering Data

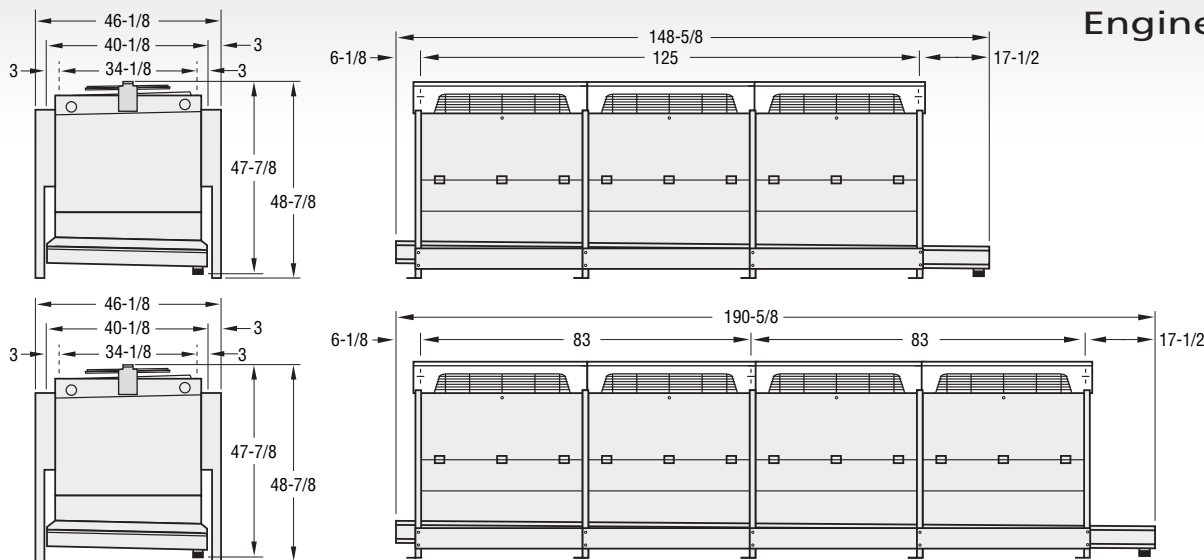


SSTW WORKROOM UNITS — 1, & 2 FAN MODELS

| Model No. | Capacity* (Btuh/TD) | | Airflow (CFM) | Velocity (FPM) | Fan Data | | | | Coil Data | | | Shipping Wt. (lbs.) | Electric Defrost (KW) Room Temp > +33°F |
|---------------|------------------------|---------|------------------|-------------------|-------------|-----|------|------|--------------|-----|-----------------|------------------------|-----------------------------------------------|
| | Wet | Frosted | | | Motor Hp | RPM | Dia. | dBAt | Rows Deep | fpi | Volume (ft³) | | |
| SSTW1-00259-3 | 2890 | 2592 | 5833 | 625 | 1/2 | 870 | 30 | 71 | 4 | 3 | 0.5 | 486 | 7.0 |
| SSTW1-00292-3 | - | 2928 | 7103 | 761 | 1 | 870 | 30 | 73 | 4 | 3 | 0.5 | 485 | 7.0 |
| SSTW1-00317-4 | 3543 | 3178 | 5744 | 615 | 1/2 | 870 | 30 | 71 | 4 | 4 | 0.5 | 499 | 7.0 |
| SSTW1-00333-3 | 3667 | 3334 | 5343 | 572 | 1/2 | 870 | 30 | 71 | 6 | 3 | 0.7 | 526 | 7.0 |
| SSTW1-00357-4 | - | 3578 | 6921 | 742 | 1 | 870 | 30 | 73 | 4 | 4 | 0.5 | 498 | 7.0 |
| SSTW1-00365-6 | 4080 | 3659 | 5518 | 591 | 1/2 | 870 | 30 | 71 | 4 | 6 | 0.5 | 525 | 7.0 |
| SSTW1-00395-3 | 4284 | 3948 | 5066 | 543 | 1/2 | 870 | 30 | 71 | 8 | 3 | 1.0 | 568 | 8.4 |
| SSTW1-00397-4 | 4368 | 3971 | 5245 | 562 | 1/2 | 870 | 30 | 71 | 6 | 4 | 0.7 | 545 | 7.0 |
| SSTW1-00400-3 | - | 3997 | 6550 | 702 | 1 | 870 | 30 | 73 | 6 | 3 | 0.7 | 525 | 7.0 |
| SSTW1-00410-6 | - | 4109 | 6542 | 701 | 1 | 870 | 30 | 73 | 4 | 6 | 0.5 | 523 | 7.0 |
| SSTW1-00441-6 | 4855 | 4414 | 4934 | 529 | 1/2 | 870 | 30 | 71 | 6 | 6 | 0.7 | 586 | 7.0 |
| SSTW1-00445-3 | - | 4453 | 6096 | 653 | 1 | 870 | 30 | 73 | 8 | 3 | 1.0 | 567 | 8.4 |
| SSTW1-00453-4 | - | 4529 | 6320 | 677 | 1 | 870 | 30 | 73 | 6 | 4 | 0.7 | 544 | 7.0 |
| SSTW1-00461-4 | 5001 | 4609 | 4960 | 531 | 1/2 | 870 | 30 | 71 | 8 | 4 | 1.0 | 594 | 8.4 |
| SSTW1-00493-6 | 5357 | 4937 | 4550 | 488 | 1/2 | 870 | 30 | 71 | 8 | 6 | 1.0 | 647 | 8.4 |
| SSTW1-00498-6 | 5479 | 4981 | 5782 | 620 | 3/4 | 870 | 30 | 72 | 6 | 6 | 0.7 | 584 | 7.0 |
| SSTW1-00505-6 | 5562 | 5056 | 5833 | 625 | 1 | 870 | 30 | 73 | 6 | 6 | 0.7 | 584 | 7.0 |
| SSTW1-00518-4 | 5620 | 5180 | 5760 | 617 | 3/4 | 870 | 30 | 72 | 8 | 4 | 1.0 | 592 | 8.4 |
| SSTW1-00528-4 | - | 5280 | 5914 | 634 | 1 | 870 | 30 | 73 | 8 | 4 | 1.0 | 592 | 8.4 |
| SSTW1-00539-6 | 5858 | 5399 | 5287 | 566 | 3/4 | 870 | 30 | 72 | 8 | 6 | 1.0 | 645 | 8.4 |
| SSTW1-00558-6 | 6058 | 5583 | 5372 | 576 | 1 | 870 | 30 | 73 | 8 | 6 | 1.0 | 645 | 8.4 |
| SSTW2-00511-3 | 5701 | 5113 | 11401 | 611 | 1/2 | 870 | 30 | 74 | 4 | 3 | 0.9 | 831 | 12.8 |
| SSTW2-00590-3 | - | 5902 | 14278 | 765 | 1 | 870 | 30 | 76 | 4 | 3 | 0.9 | 829 | 12.8 |
| SSTW2-00626-4 | 6988 | 6267 | 11224 | 601 | 1/2 | 870 | 30 | 74 | 4 | 4 | 0.9 | 857 | 12.8 |
| SSTW2-00679-3 | 7465 | 6787 | 10800 | 579 | 1/2 | 870 | 30 | 74 | 6 | 3 | 1.4 | 909 | 12.8 |
| SSTW2-00718-4 | - | 7182 | 13878 | 743 | 1 | 870 | 30 | 76 | 4 | 4 | 0.9 | 854 | 12.8 |
| SSTW2-00725-6 | 8095 | 7260 | 10819 | 580 | 1/2 | 870 | 30 | 74 | 4 | 6 | 0.9 | 908 | 12.8 |
| SSTW2-00771-3 | - | 7708 | 13186 | 706 | 1 | 870 | 30 | 76 | 6 | 3 | 1.4 | 907 | 12.8 |
| SSTW2-00795-3 | 8630 | 7954 | 10235 | 548 | 1/2 | 870 | 30 | 74 | 8 | 3 | 1.9 | 990 | 15.4 |
| SSTW2-00798-4 | 8780 | 7982 | 10571 | 566 | 1/2 | 870 | 30 | 74 | 6 | 4 | 1.4 | 948 | 12.8 |
| SSTW2-00825-6 | - | 8254 | 13140 | 704 | 1 | 870 | 30 | 76 | 4 | 6 | 0.9 | 906 | 12.8 |
| SSTW2-00887-6 | 9763 | 8876 | 9995 | 535 | 1/2 | 870 | 30 | 74 | 6 | 6 | 1.4 | 1027 | 12.8 |
| SSTW2-00905-4 | - | 9052 | 12718 | 681 | 1 | 870 | 30 | 76 | 6 | 4 | 1.4 | 945 | 12.8 |
| SSTW2-00910-3 | - | 9097 | 12243 | 656 | 1 | 870 | 30 | 76 | 8 | 3 | 1.9 | 987 | 15.4 |
| SSTW2-00922-4 | 9999 | 9216 | 9915 | 531 | 1/2 | 870 | 30 | 74 | 8 | 4 | 1.9 | 1041 | 15.4 |
| SSTW2-00991-6 | 10753 | 9911 | 9138 | 490 | 1/2 | 870 | 30 | 74 | 8 | 6 | 1.9 | 1146 | 15.4 |
| SSTW2-01004-6 | 11046 | 10042 | 11649 | 624 | 3/4 | 870 | 30 | 75 | 6 | 6 | 1.4 | 1025 | 12.8 |
| SSTW2-01019-6 | 11216 | 10197 | 11667 | 625 | 1 | 870 | 30 | 76 | 6 | 6 | 1.4 | 1025 | 12.8 |
| SSTW2-01036-4 | 11240 | 10360 | 11511 | 617 | 3/4 | 870 | 30 | 75 | 8 | 4 | 1.9 | 1039 | 15.4 |
| SSTW2-01054-4 | - | 10540 | 11826 | 634 | 1 | 870 | 30 | 76 | 8 | 4 | 1.9 | 1039 | 15.4 |
| SSTW2-01082-6 | 11749 | 10828 | 10597 | 568 | 3/4 | 870 | 30 | 75 | 8 | 6 | 1.9 | 1143 | 15.4 |
| SSTW2-01120-6 | 12159 | 11207 | 10784 | 578 | 1 | 870 | 30 | 76 | 8 | 6 | 1.9 | 1143 | 15.4 |

* Capacity based on R717 refrigerant with either recirculated or flooded feed.
† Sound ratings are based on 6 feet from the unit and under free field conditions.

Engineering Data



SSTW WORKROOM UNITS — 3 & 4 FAN MODELS

| Model No. | Capacity* (Btuh/TD) | | Airflow (CFM) | Velocity (FPM) | Fan Data | | | | Coil Data | | | Shipping Wt. (lbs.) | Electric Defrost (KW) Room Temp > +33°F |
|---------------|------------------------|---------|------------------|-------------------|-------------|-----|------|------|--------------|-----|-----------------|------------------------|-----------------------------------------------|
| | Wet | Frosted | | | Motor Hp | RPM | Dia. | dBA† | Rows Deep | fpi | Volume (ft³) | | |
| SSTW3-00769-3 | 8582 | 7697 | 17175 | 613 | 1/2 | 870 | 30 | 76 | 4 | 3 | 1.4 | 1178 | 18.7 |
| SSTW3-00885-3 | - | 8859 | 21445 | 766 | 1 | 870 | 30 | 77 | 4 | 3 | 1.4 | 1174 | 18.7 |
| SSTW3-00941-4 | 10410 | 9417 | 16878 | 603 | 1/2 | 870 | 30 | 76 | 4 | 4 | 1.4 | 1217 | 18.7 |
| SSTW3-01008-3 | 11086 | 10078 | 16286 | 581 | 1/2 | 870 | 30 | 76 | 6 | 3 | 2.1 | 1294 | 18.7 |
| SSTW3-01078-4 | - | 10783 | 20865 | 745 | 1 | 870 | 30 | 77 | 4 | 4 | 1.4 | 1213 | 18.7 |
| SSTW3-01090-6 | 12160 | 10906 | 16263 | 581 | 1/2 | 870 | 30 | 76 | 4 | 6 | 1.4 | 1294 | 18.7 |
| SSTW3-01156-3 | - | 11561 | 19779 | 706 | 1 | 870 | 30 | 77 | 6 | 3 | 2.1 | 1290 | 18.7 |
| SSTW3-01194-3 | 12952 | 11938 | 15365 | 549 | 1/2 | 870 | 30 | 76 | 8 | 3 | 2.8 | 1414 | 22.4 |
| SSTW3-01204-4 | 13240 | 12037 | 15753 | 563 | 1/2 | 870 | 30 | 76 | 6 | 4 | 2.1 | 1352 | 18.7 |
| SSTW3-01236-6 | - | 12364 | 19741 | 705 | 1 | 870 | 30 | 77 | 4 | 6 | 1.4 | 1290 | 18.7 |
| SSTW3-01332-6 | 14659 | 13326 | 15005 | 536 | 1/2 | 870 | 30 | 76 | 6 | 6 | 2.1 | 1471 | 18.7 |
| SSTW3-01361-3 | - | 13611 | 18360 | 656 | 1 | 870 | 30 | 77 | 8 | 3 | 2.8 | 1410 | 22.4 |
| SSTW3-01363-4 | - | 13635 | 19174 | 685 | 1 | 870 | 30 | 77 | 6 | 4 | 2.1 | 1348 | 18.7 |
| SSTW3-01381-4 | 14989 | 13814 | 14868 | 531 | 1/2 | 870 | 30 | 76 | 8 | 4 | 2.8 | 1491 | 22.4 |
| SSTW3-01492-6 | 16190 | 14922 | 13797 | 493 | 1/2 | 870 | 30 | 76 | 8 | 6 | 2.8 | 1647 | 22.4 |
| SSTW3-01504-6 | 16547 | 15042 | 17500 | 625 | 3/4 | 870 | 30 | 77 | 6 | 6 | 2.1 | 1467 | 18.7 |
| SSTW3-01526-6 | 16794 | 15267 | 17500 | 625 | 1 | 870 | 30 | 77 | 6 | 6 | 2.1 | 1466 | 18.7 |
| SSTW3-01545-4 | 16765 | 15451 | 17345 | 619 | 3/4 | 870 | 30 | 77 | 8 | 4 | 2.8 | 1487 | 22.4 |
| SSTW3-01581-4 | - | 15813 | 17737 | 633 | 1 | 870 | 30 | 77 | 8 | 4 | 2.8 | 1486 | 22.4 |
| SSTW3-01622-6 | 17601 | 16222 | 15901 | 568 | 3/4 | 870 | 30 | 77 | 8 | 6 | 2.8 | 1643 | 22.4 |
| SSTW3-01683-6 | 18271 | 16839 | 16214 | 579 | 1 | 870 | 30 | 77 | 8 | 6 | 2.8 | 1643 | 22.4 |
| SSTW4-01026-3 | 11441 | 10261 | 22923 | 614 | 1/2 | 870 | 30 | 77 | 4 | 3 | 1.8 | 1549 | 24.6 |
| SSTW4-01179-3 | - | 11791 | 28613 | 766 | 1 | 870 | 30 | 79 | 4 | 3 | 1.8 | 1543 | 24.6 |
| SSTW4-01254-4 | 13992 | 12549 | 22544 | 604 | 1/2 | 870 | 30 | 77 | 4 | 4 | 1.8 | 1600 | 24.6 |
| SSTW4-01345-3 | 14799 | 13453 | 21724 | 582 | 1/2 | 870 | 30 | 77 | 6 | 3 | 2.7 | 1703 | 24.6 |
| SSTW4-01434-4 | - | 14343 | 27810 | 745 | 1 | 870 | 30 | 79 | 4 | 4 | 1.8 | 1595 | 24.6 |
| SSTW4-01451-6 | 16183 | 14514 | 21728 | 582 | 1/2 | 870 | 30 | 77 | 4 | 6 | 1.8 | 1703 | 24.6 |
| SSTW4-01542-3 | - | 15419 | 26371 | 706 | 1 | 870 | 30 | 79 | 6 | 3 | 2.7 | 1697 | 24.6 |
| SSTW4-01596-3 | 17312 | 15955 | 20548 | 550 | 1/2 | 870 | 30 | 77 | 8 | 3 | 3.6 | 1861 | 29.5 |
| SSTW4-01602-4 | 17618 | 16016 | 21261 | 570 | 1/2 | 870 | 30 | 77 | 6 | 4 | 2.7 | 1779 | 24.6 |
| SSTW4-01644-6 | - | 16447 | 26353 | 706 | 1 | 870 | 30 | 79 | 4 | 6 | 1.8 | 1697 | 24.6 |
| SSTW4-01773-6 | 19510 | 17737 | 19903 | 533 | 1/2 | 870 | 30 | 77 | 6 | 6 | 2.7 | 1938 | 24.6 |
| SSTW4-01802-3 | - | 18024 | 24490 | 656 | 1 | 870 | 30 | 79 | 8 | 3 | 3.6 | 1856 | 29.5 |
| SSTW4-01813-4 | - | 18126 | 25566 | 685 | 1 | 870 | 30 | 79 | 6 | 4 | 2.7 | 1774 | 24.6 |
| SSTW4-01919-4 | 20825 | 19194 | 19822 | 531 | 1/2 | 870 | 30 | 77 | 8 | 4 | 3.6 | 1964 | 29.5 |
| SSTW4-01986-6 | 21557 | 19868 | 18374 | 492 | 1/2 | 870 | 30 | 77 | 8 | 6 | 3.6 | 2173 | 29.5 |
| SSTW4-02011-6 | 22130 | 20119 | 23333 | 625 | 3/4 | 870 | 30 | 78 | 6 | 6 | 2.7 | 1932 | 24.6 |
| SSTW4-02038-6 | 22423 | 20385 | 23333 | 625 | 1 | 870 | 30 | 79 | 6 | 6 | 2.7 | 1932 | 24.6 |
| SSTW4-02088-4 | 22656 | 20881 | 23214 | 622 | 3/4 | 870 | 30 | 78 | 8 | 4 | 3.6 | 1958 | 29.5 |
| SSTW4-02108-4 | - | 21084 | 23648 | 633 | 1 | 870 | 30 | 79 | 8 | 4 | 3.6 | 1958 | 29.5 |
| SSTW4-02163-6 | 23479 | 21640 | 21218 | 568 | 3/4 | 870 | 30 | 78 | 8 | 6 | 3.6 | 2167 | 19.5 |
| SSTW4-02241-6 | 24317 | 22412 | 21605 | 579 | 1 | 870 | 30 | 79 | 8 | 6 | 3.6 | 2167 | 29.5 |

* Capacity based on R717 refrigerant with either recirculated or flooded feed.

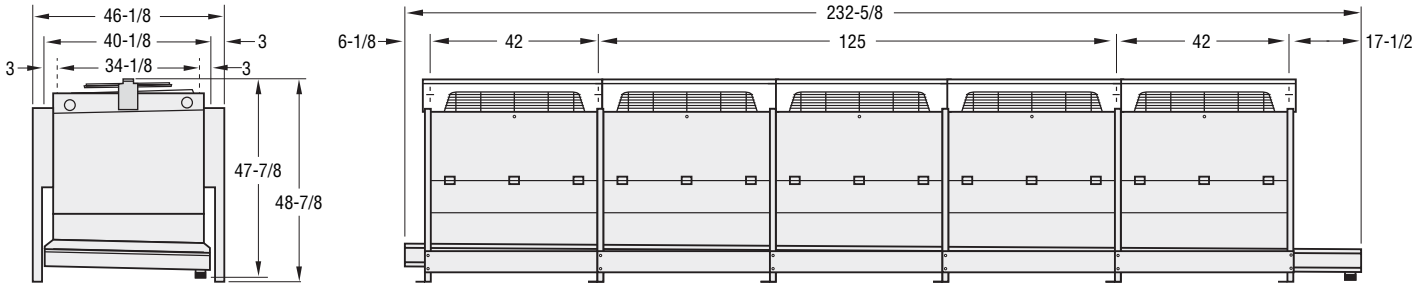
† Sound ratings are based on 6 feet from the unit and under free field conditions.



SST

STAINLESS STEEL EVAPORATORS

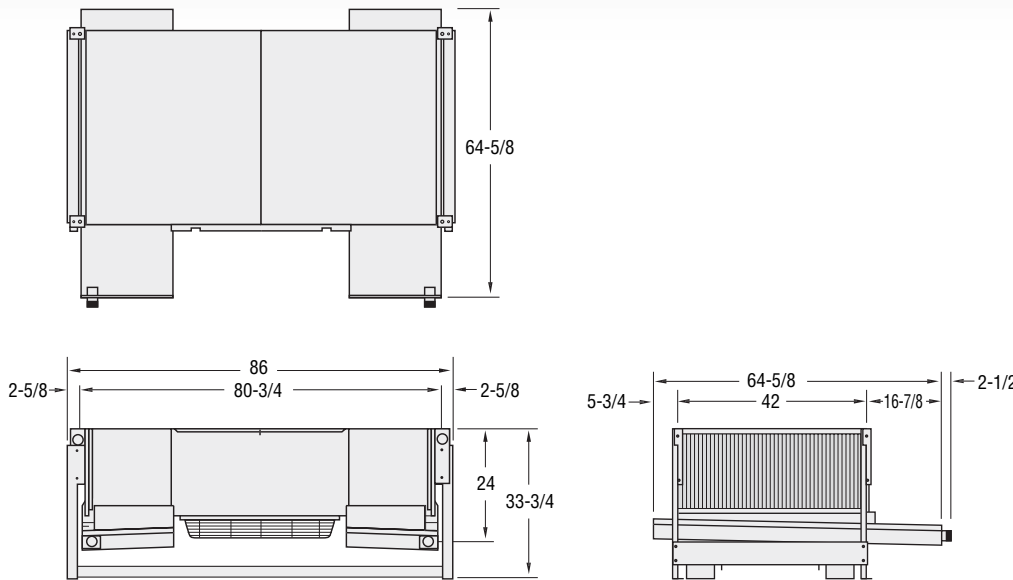
Engineering Data



SSTW WORKROOM UNITS — 5 FAN MODELS

| Model No. | Capacity* (Btuh/TD) | | Airflow (CFM) | Velocity (FPM) | Fan Data | | | | Coil Data | | | Electric Defrost (KW) | |
|---------------|------------------------|---------|------------------|-------------------|-------------|-----|------|------|--------------|-----|-----------------|------------------------|----------------------|
| | Wet | Frosted | | | Motor Hp | RPM | Dia. | dBA† | Rows Deep | fpi | Volume (ft³) | Shipping Wt. (lbs.) | Room Temp > +33°F |
| SSTW5-01282-3 | 14300 | 12825 | 28717 | 615 | 1/2 | 870 | 30 | 78 | 4 | 3 | 2.3 | 1909 | 30.5 |
| SSTW5-01474-3 | - | 14749 | 35792 | 767 | 1 | 870 | 30 | 80 | 4 | 3 | 2.3 | 1903 | 30.5 |
| SSTW5-01565-4 | 17453 | 15653 | 28206 | 604 | 1/2 | 870 | 30 | 78 | 4 | 4 | 2.3 | 1974 | 30.5 |
| SSTW5-01681-3 | 18489 | 16808 | 27213 | 583 | 1/2 | 870 | 30 | 78 | 6 | 3 | 3.4 | 2102 | 30.5 |
| SSTW5-01798-4 | - | 17982 | 34813 | 746 | 1 | 870 | 30 | 80 | 4 | 4 | 2.3 | 1967 | 30.5 |
| SSTW5-01812-6 | 20207 | 18122 | 27201 | 583 | 1/2 | 870 | 30 | 78 | 4 | 6 | 2.3 | 2102 | 30.5 |
| SSTW5-01931-3 | - | 19314 | 32964 | 706 | 1 | 870 | 30 | 80 | 6 | 3 | 3.4 | 2096 | 30.5 |
| SSTW5-01999-3 | 21688 | 19989 | 25774 | 552 | 1/2 | 870 | 30 | 78 | 8 | 3 | 4.5 | 2301 | 36.6 |
| SSTW5-02002-4 | 22025 | 20023 | 26575 | 570 | 1/2 | 870 | 30 | 78 | 6 | 4 | 3.4 | 2198 | 30.5 |
| SSTW5-02058-6 | - | 20582 | 32994 | 707 | 1 | 870 | 30 | 80 | 4 | 6 | 2.3 | 2095 | 30.5 |
| SSTW5-02214-6 | 24359 | 22145 | 24889 | 533 | 1/2 | 870 | 30 | 78 | 6 | 6 | 3.4 | 2396 | 30.5 |
| SSTW5-02259-3 | - | 22594 | 30671 | 657 | 1 | 870 | 30 | 80 | 8 | 3 | 4.5 | 2294 | 36.6 |
| SSTW5-02286-4 | - | 22864 | 31957 | 685 | 1 | 870 | 30 | 80 | 6 | 4 | 3.4 | 2192 | 30.5 |
| SSTW5-02304-4 | 25000 | 23042 | 24774 | 531 | 1/2 | 870 | 30 | 78 | 8 | 4 | 4.5 | 2429 | 36.6 |
| SSTW5-02480-6 | 26912 | 24804 | 22922 | 491 | 1/2 | 870 | 30 | 78 | 8 | 6 | 4.5 | 2690 | 36.6 |
| SSTW5-02514-6 | 27655 | 25141 | 29167 | 625 | 3/4 | 870 | 30 | 79 | 6 | 6 | 3.4 | 2389 | 30.5 |
| SSTW5-02538-6 | 27924 | 25386 | 29167 | 625 | 1 | 870 | 30 | 80 | 6 | 6 | 3.4 | 2389 | 30.5 |
| SSTW5-02603-4 | 28243 | 26030 | 29018 | 622 | 3/4 | 870 | 30 | 79 | 8 | 4 | 4.5 | 2422 | 36.6 |
| SSTW5-02636-4 | - | 26356 | 29561 | 633 | 1 | 870 | 30 | 80 | 8 | 4 | 4.5 | 2422 | 36.6 |
| SSTW5-02708-6 | 29392 | 27089 | 26525 | 568 | 3/4 | 870 | 30 | 79 | 8 | 6 | 4.5 | 2683 | 36.6 |
| SSTW5-02801-6 | 30395 | 28014 | 27006 | 579 | 1 | 870 | 30 | 80 | 8 | 6 | 4.5 | 2683 | 36.6 |

* Capacity based on R717 refrigerant with either recirculated or flooded feed.
 † Sound ratings are based on 6 feet from the unit and under free field conditions.



SSTD LOW PROFILE COOLERS — 1 FAN MODELS

| Model No. | Capacity* | | Airflow (CFM) | Velocity (FPM) | Fan Data | | | | Coil Data | | | Shipping Wt. (lbs.) | Electric Defrost (KW) | | |
|---------------|-----------|---------|---------------|----------------|----------|------|------|------|-----------|-----|--------------|---------------------|-----------------------|--------|---------|
| | Wet | Frosted | | | Motor Hp | RPM | Dia. | dBA† | Rows Deep | fpi | Volume (ft³) | | Room Temp | | |
| | | | | | | | | | | | | | > or = -20°F | > +5°F | > +33°F |
| SSTD1-00344-3 | 3784 | 3440 | 5640 | 604 | 1/2 | 870 | 30 | 71 | 6 | 3 | 0.7 | 635 | 13.6 | 10.8 | 8.4 |
| SSTD1-00407-3 | 4421 | 4074 | 5347 | 573 | 1/2 | 870 | 30 | 71 | 8 | 3 | 1.0 | 677 | 16.4 | 10.8 | 8.4 |
| SSTD1-00410-4 | 4507 | 4097 | 5537 | 593 | 1/2 | 870 | 30 | 71 | 6 | 4 | 0.7 | 654 | 13.6 | 10.8 | 8.4 |
| SSTD1-00412-3 | - | 4125 | 6914 | 741 | 1 | 870 | 30 | 73 | 6 | 3 | 0.7 | 633 | 13.6 | 10.8 | 8.4 |
| SSTD1-00447-3 | - | 4472 | 8495 | 910 | 1-1/2 | 1160 | 30 | 79 | 6 | 3 | 0.7 | 634 | 13.6 | 10.8 | 8.4 |
| SSTD1-00453-6 | 4991 | 4537 | 5235 | 561 | 1/2 | 870 | 30 | 71 | 6 | 6 | 0.7 | 694 | 13.6 | 10.8 | 8.4 |
| SSTD1-00460-3 | - | 4595 | 6435 | 689 | 1 | 870 | 30 | 73 | 8 | 3 | 1.0 | 675 | 16.4 | 10.8 | 8.4 |
| SSTD1-00467-4 | - | 4674 | 6671 | 715 | 1 | 870 | 30 | 73 | 6 | 4 | 0.7 | 653 | 13.6 | 10.8 | 8.4 |
| SSTD1-00474-3 | - | 4739 | 9199 | 986 | 2 | 1160 | 30 | 79 | 6 | 3 | 0.7 | 657 | 13.6 | 10.8 | 8.4 |
| SSTD1-00476-4 | 5161 | 4756 | 5236 | 561 | 1/2 | 870 | 30 | 71 | 8 | 4 | 1.0 | 702 | 16.4 | 10.8 | 8.4 |
| SSTD1-00511-6 | 5548 | 5113 | 4819 | 516 | 1/2 | 870 | 30 | 71 | 8 | 6 | 1.0 | 755 | 16.4 | 10.8 | 8.4 |
| SSTD1-00543-4 | - | 5434 | 8267 | 886 | 1-1/2 | 1160 | 30 | 79 | 6 | 4 | 0.7 | 653 | 13.6 | 10.8 | 8.4 |
| SSTD1-00545-4 | - | 5448 | 6243 | 669 | 1 | 870 | 30 | 73 | 8 | 4 | 1.0 | 701 | 16.4 | 10.8 | 8.4 |
| SSTD1-00545-3 | - | 5453 | 7932 | 850 | 1-1/2 | 1160 | 30 | 79 | 8 | 3 | 1.0 | 676 | 16.4 | 10.8 | 8.4 |
| SSTD1-00558-3 | - | 5579 | 8484 | 909 | 2 | 1160 | 30 | 79 | 8 | 3 | 1.0 | 699 | 16.4 | 10.8 | 8.4 |
| SSTD1-00558-4 | - | 5581 | 8872 | 951 | 2 | 1160 | 30 | 79 | 6 | 4 | 0.7 | 676 | 13.6 | 10.8 | 8.4 |
| SSTD1-00583-6 | 6334 | 5838 | 5700 | 611 | 1 | 870 | 30 | 73 | 8 | 6 | 1.0 | 754 | 16.4 | 10.8 | 8.4 |
| SSTD1-00616-3 | - | 6156 | 9888 | 1059 | 3 | 1160 | 30 | 79 | 8 | 3 | 1.0 | 725 | 16.4 | 10.8 | 8.4 |
| SSTD1-00633-4 | - | 6333 | 7635 | 818 | 1-1/2 | 1160 | 30 | 79 | 8 | 4 | 1.0 | 701 | 16.4 | 10.8 | 8.4 |
| SSTD1-00646-4 | - | 6459 | 8143 | 872 | 2 | 1160 | 30 | 79 | 8 | 4 | 1.0 | 725 | 16.4 | 10.8 | 8.4 |
| SSTD1-00712-4 | - | 7117 | 9462 | 1014 | 3 | 1160 | 30 | 79 | 8 | 4 | 1.0 | 750 | 16.4 | 10.8 | 8.4 |

* Capacity based on R717 refrigerant with either recirculated or flooded feed.

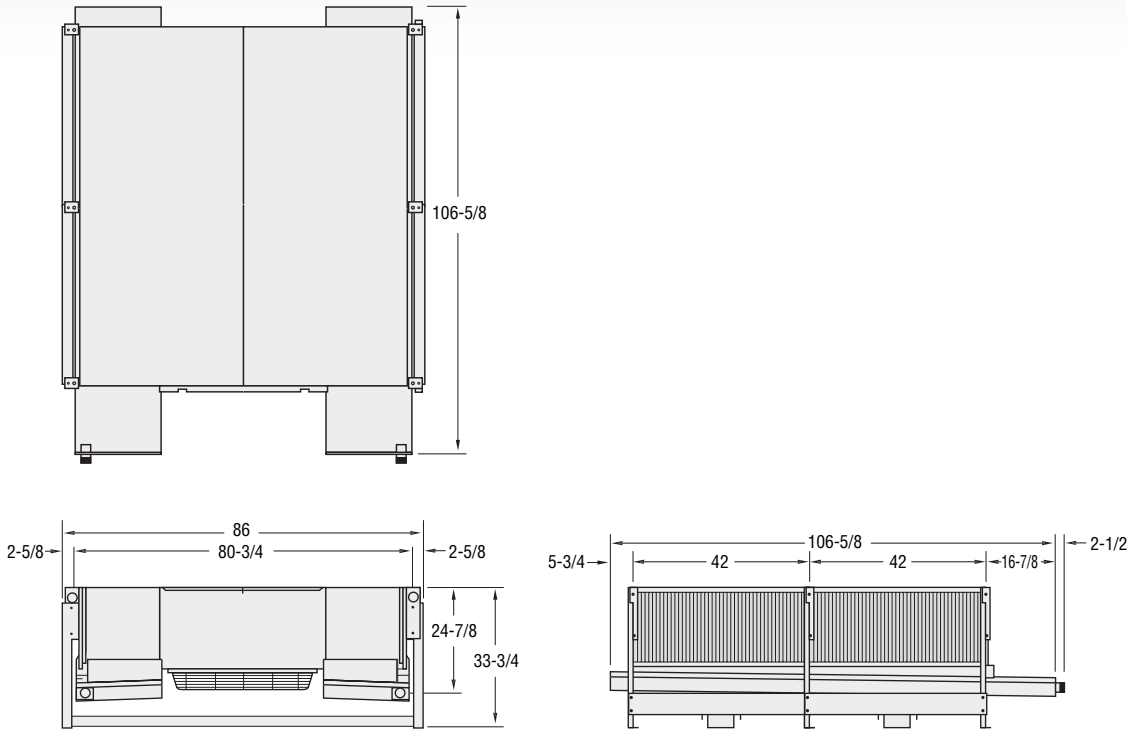
† Sound ratings are based on 6 feet from the unit and under free field conditions.



SST

STAINLESS STEEL EVAPORATORS

Engineering Data

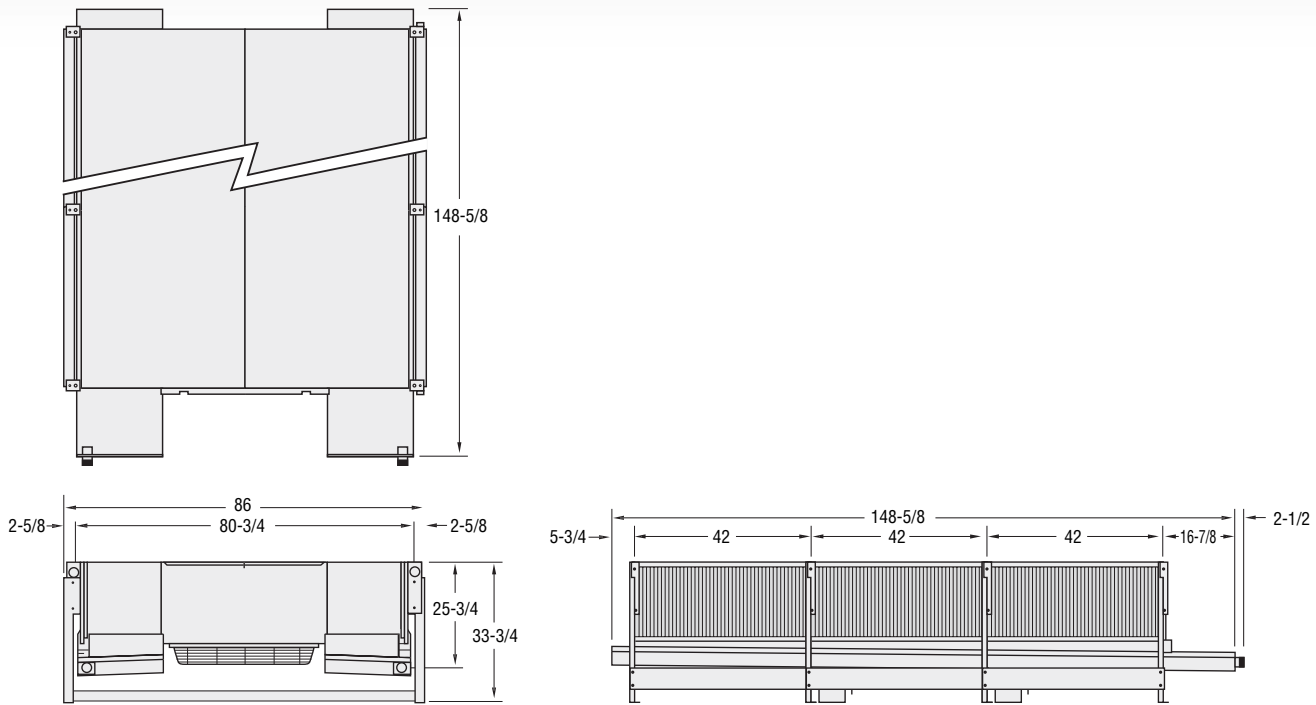


SSTD LOW PROFILE COOLERS — 2 FAN MODELS

| Model No. | Capacity* (Btuh/TD) | | Airflow (CFM) | Velocity (FPM) | Fan Data | | | | Coil Data | | | Shipping Wt. (lbs.) | Electric Defrost (KW) | | |
|---------------|---------------------|---------|---------------|----------------|----------|------|------|------|-----------|-----|--------------|---------------------|-----------------------|--------|---------|
| | Wet | Frosted | | | Motor Hp | RPM | Dia. | dBA† | Rows Deep | fpi | Volume (ft³) | | Room Temp | | |
| | | | | | | | | | | | | | > or = -20°F | > +5°F | > +33°F |
| SSTD2-00700-3 | 7704 | 7003 | 11400 | 611 | 1/2 | 870 | 30 | 74 | 6 | 3 | 1.4 | 1065 | 24.4 | 19.3 | 15.4 |
| SSTD2-00795-3 | - | 7954 | 13919 | 746 | 1 | 870 | 30 | 76 | 6 | 3 | 1.4 | 1063 | 24.4 | 19.3 | 15.4 |
| SSTD2-00821-3 | 8906 | 8208 | 10803 | 579 | 1/2 | 870 | 30 | 74 | 8 | 3 | 1.9 | 1146 | 29.5 | 19.3 | 15.4 |
| SSTD2-00824-4 | 9060 | 8236 | 11159 | 598 | 1/2 | 870 | 30 | 74 | 6 | 4 | 1.4 | 1104 | 24.4 | 19.3 | 15.4 |
| SSTD2-00894-3 | - | 8936 | 16996 | 911 | 1-1/2 | 1160 | 30 | 82 | 6 | 3 | 1.4 | 1063 | 24.4 | 19.3 | 15.4 |
| SSTD2-00914-6 | 10059 | 9144 | 10585 | 567 | 1/2 | 870 | 30 | 74 | 6 | 6 | 1.4 | 1183 | 24.4 | 19.3 | 15.4 |
| SSTD2-00934-4 | - | 9341 | 13424 | 719 | 1 | 870 | 30 | 76 | 6 | 4 | 1.4 | 1101 | 24.4 | 19.3 | 15.4 |
| SSTD2-00939-3 | - | 9387 | 12923 | 692 | 1 | 870 | 30 | 76 | 8 | 3 | 1.9 | 1144 | 29.5 | 19.3 | 15.4 |
| SSTD2-00941-3 | - | 9414 | 18412 | 986 | 2 | 1160 | 30 | 82 | 6 | 3 | 1.4 | 1110 | 24.4 | 19.3 | 15.4 |
| SSTD2-00951-4 | 10318 | 9510 | 10466 | 561 | 1/2 | 870 | 30 | 74 | 8 | 4 | 1.9 | 1197 | 29.5 | 19.3 | 15.4 |
| SSTD2-01031-6 | 11197 | 10320 | 9744 | 522 | 1/2 | 870 | 30 | 74 | 8 | 6 | 1.9 | 1302 | 29.5 | 19.3 | 15.4 |
| SSTD2-01067-4 | - | 10673 | 16543 | 886 | 1-1/2 | 1160 | 30 | 82 | 6 | 4 | 1.4 | 1102 | 24.4 | 19.3 | 15.4 |
| SSTD2-01087-3 | - | 10868 | 15870 | 850 | 1-1/2 | 1160 | 30 | 82 | 8 | 3 | 1.9 | 1144 | 29.5 | 19.3 | 15.4 |
| SSTD2-01088-4 | - | 10876 | 12483 | 669 | 1 | 870 | 30 | 76 | 8 | 4 | 1.9 | 1195 | 29.5 | 19.3 | 15.4 |
| SSTD2-01116-4 | - | 11161 | 17747 | 951 | 2 | 1160 | 30 | 82 | 6 | 4 | 1.4 | 1149 | 24.4 | 19.3 | 15.4 |
| SSTD2-01116-3 | - | 11162 | 16974 | 909 | 2 | 1160 | 30 | 82 | 8 | 3 | 1.9 | 1191 | 29.5 | 19.3 | 15.4 |
| SSTD2-01168-6 | 12677 | 11684 | 11418 | 612 | 1 | 870 | 30 | 76 | 8 | 6 | 1.9 | 1299 | 29.5 | 19.3 | 15.4 |
| SSTD2-01230-3 | - | 12300 | 19768 | 1059 | 3 | 1160 | 30 | 82 | 8 | 3 | 1.9 | 1242 | 29.5 | 19.3 | 15.4 |
| SSTD2-01238-4 | - | 12377 | 15253 | 817 | 1-1/2 | 1160 | 30 | 82 | 8 | 4 | 1.9 | 1195 | 29.5 | 19.3 | 15.4 |
| SSTD2-01307-4 | - | 13073 | 16285 | 872 | 2 | 1160 | 30 | 82 | 8 | 4 | 1.9 | 1242 | 29.5 | 19.3 | 15.4 |
| SSTD2-01428-4 | - | 14280 | 18925 | 1014 | 3 | 1160 | 30 | 82 | 8 | 4 | 1.9 | 1293 | 29.5 | 19.3 | 15.4 |

* Capacity based on R717 refrigerant with either recirculated or flooded feed.

† Sound ratings are based on 6 feet from the unit and under free field conditions.



SSTD LOW PROFILE COOLERS — 3 FAN MODELS

| Model No. | Capacity* (Btu/h/TD) | | Airflow (CFM) | Velocity (FPM) | Fan Data | | | | Coil Data | | | Shipping Wt. (lbs.) | Electric Defrost (KW) | | |
|---------------|-------------------------|---------|------------------|-------------------|-------------|------|------|------|--------------|-----|-----------------|------------------------|-----------------------|---------------------|---------|
| | Wet | Frosted | | | Motor Hp | RPM | Dia. | dBA† | Rows Deep | fpi | Volume (ft³) | | Room Temp | | |
| | | | | | | | | | | | | | >or=-20°F <or=+5°F | > +5°F <or=+33°F | > +33°F |
| SSTD3-01040-3 | 11440 | 10400 | 17191 | 614 | 1/2 | 870 | 30 | 76 | 6 | 3 | 2.1 | 1498 | 29.5 | 19.3 | 15.4 |
| SSTD3-01193-3 | - | 11930 | 20878 | 746 | 1 | 870 | 30 | 77 | 6 | 3 | 2.1 | 1494 | 35.4 | 27.9 | 22.4 |
| SSTD3-01232-3 | 13366 | 12319 | 16219 | 579 | 1/2 | 870 | 30 | 76 | 8 | 3 | 2.8 | 1618 | 42.8 | 27.9 | 22.4 |
| SSTD3-01242-4 | 13663 | 12421 | 16814 | 600 | 1/2 | 870 | 30 | 76 | 6 | 4 | 2.1 | 1555 | 35.4 | 27.9 | 22.4 |
| SSTD3-01342-3 | - | 13418 | 25499 | 911 | 1-1/2 | 1160 | 30 | 83 | 6 | 3 | 2.1 | 1495 | 35.4 | 27.9 | 22.4 |
| SSTD3-01371-6 | 15088 | 13717 | 15870 | 567 | 1/2 | 870 | 30 | 76 | 6 | 6 | 2.1 | 1674 | 35.4 | 27.9 | 22.4 |
| SSTD3-01405-3 | - | 14046 | 19380 | 692 | 1 | 870 | 30 | 77 | 8 | 3 | 2.8 | 1614 | 42.8 | 27.9 | 22.4 |
| SSTD3-01407-4 | - | 14070 | 20240 | 723 | 1 | 870 | 30 | 77 | 6 | 4 | 2.1 | 1551 | 35.4 | 27.9 | 22.4 |
| SSTD3-01412-3 | - | 14121 | 27617 | 986 | 2 | 1160 | 30 | 84 | 6 | 3 | 2.1 | 1565 | 35.4 | 27.9 | 22.4 |
| SSTD3-01426-4 | 15467 | 14255 | 15694 | 560 | 1/2 | 870 | 30 | 76 | 8 | 4 | 2.8 | 1694 | 42.8 | 27.9 | 22.4 |
| SSTD3-01538-6 | 16693 | 15385 | 14528 | 519 | 1/2 | 870 | 30 | 76 | 8 | 6 | 2.8 | 1851 | 42.8 | 27.9 | 22.4 |
| SSTD3-01601-3 | - | 16011 | 23805 | 850 | 1-1/2 | 1160 | 30 | 83 | 8 | 3 | 2.8 | 1615 | 42.8 | 27.9 | 22.4 |
| SSTD3-01601-4 | - | 16012 | 24814 | 886 | 1-1/2 | 1160 | 30 | 83 | 6 | 4 | 2.1 | 1552 | 35.4 | 27.9 | 22.4 |
| SSTD3-01632-4 | - | 16318 | 18723 | 669 | 1 | 870 | 30 | 77 | 8 | 4 | 2.8 | 1690 | 42.8 | 27.9 | 22.4 |
| SSTD3-01673-3 | - | 16727 | 25457 | 909 | 2 | 1160 | 30 | 84 | 8 | 3 | 2.8 | 1685 | 42.8 | 27.9 | 22.4 |
| SSTD3-01676-4 | - | 16760 | 26612 | 950 | 2 | 1160 | 30 | 84 | 6 | 4 | 2.1 | 1623 | 35.4 | 27.9 | 22.4 |
| SSTD3-01756-6 | 19060 | 17566 | 17146 | 612 | 1 | 870 | 30 | 77 | 8 | 6 | 2.8 | 1847 | 42.8 | 27.9 | 22.4 |
| SSTD3-01846-3 | - | 18461 | 29655 | 1059 | 3 | 1160 | 30 | 84 | 8 | 3 | 2.8 | 1761 | 42.8 | 27.9 | 22.4 |
| SSTD3-01852-4 | - | 18524 | 22869 | 817 | 1-1/2 | 1160 | 30 | 83 | 8 | 4 | 2.8 | 1691 | 42.8 | 27.9 | 22.4 |
| SSTD3-01945-4 | - | 19454 | 24428 | 872 | 2 | 1160 | 30 | 84 | 8 | 4 | 2.8 | 1762 | 42.8 | 27.9 | 22.4 |
| SSTD3-02137-4 | - | 21372 | 28381 | 1014 | 3 | 1160 | 30 | 84 | 8 | 4 | 2.8 | 1838 | 42.8 | 27.9 | 22.4 |

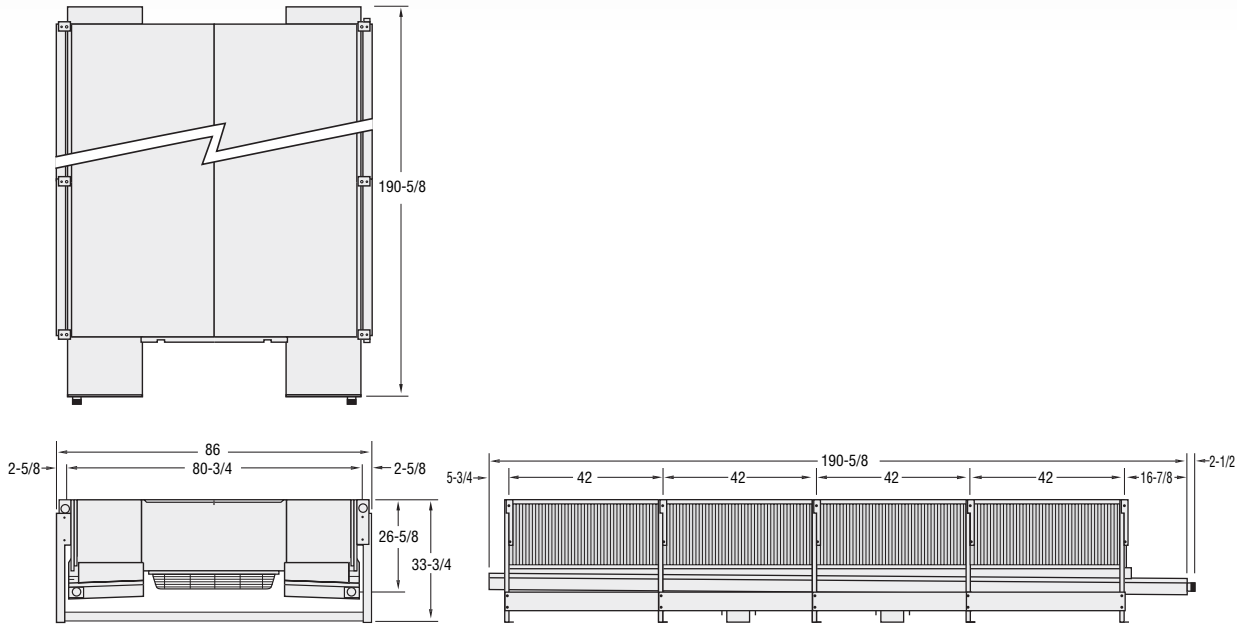
* Capacity based on R717 refrigerant with either recirculated or flooded feed.

† Sound ratings are based on 6 feet from the unit and under free field conditions.



STAINLESS STEEL EVAPORATORS

Engineering Data

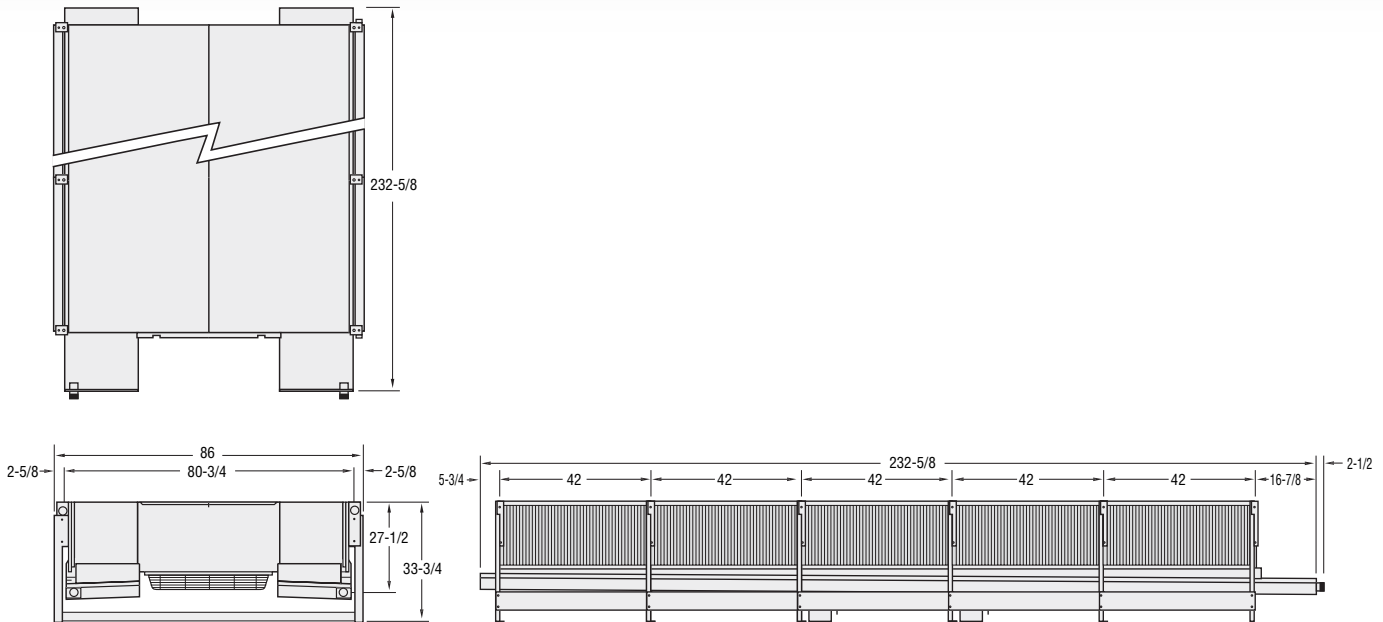


SSTD LOW PROFILE COOLERS — 4 FAN MODELS

| Model No. | Capacity* (Btuh/TD) | | Airflow (CFM) | Velocity (FPM) | Fan Data | | | | Coil Data | | | Shipping Wt. (lbs.) | Electric Defrost (KW) | | |
|---------------|---------------------|---------|---------------|----------------|----------|------|------|------|-----------|-----|--------------|---------------------|-----------------------|--------|---------|
| | Wet | Frosted | | | Motor Hp | RPM | Dia. | dBA† | Rows Deep | fpi | Volume (ft³) | | Room Temp | | |
| | | | | | | | | | | | | | > or = -20°F | > +5°F | > +33°F |
| SSTD4-01388-3 | 15271 | 13883 | 22931 | 614 | 1/2 | 870 | 30 | 77 | 6 | 3 | 2.7 | 1960 | 46.3 | 36.5 | 29.5 |
| SSTD4-01591-3 | - | 15911 | 27836 | 746 | 1 | 870 | 30 | 79 | 6 | 3 | 2.7 | 1955 | 46.3 | 36.5 | 29.5 |
| SSTD4-01646-3 | 17864 | 16465 | 21689 | 581 | 1/2 | 870 | 30 | 77 | 8 | 3 | 3.6 | 2119 | 56.2 | 36.5 | 29.5 |
| SSTD4-01653-4 | 18180 | 16527 | 22442 | 601 | 1/2 | 870 | 30 | 77 | 6 | 4 | 2.7 | 2037 | 46.3 | 36.5 | 29.5 |
| SSTD4-01791-3 | - | 17906 | 34001 | 911 | 1-1/2 | 1160 | 30 | 85 | 6 | 3 | 2.7 | 1956 | 46.3 | 36.5 | 29.5 |
| SSTD4-01824-6 | 20072 | 18247 | 21077 | 565 | 1/2 | 870 | 30 | 77 | 6 | 6 | 2.7 | 2195 | 46.3 | 36.5 | 29.5 |
| SSTD4-01860-3 | - | 18599 | 25850 | 692 | 1 | 870 | 30 | 79 | 8 | 3 | 3.6 | 2114 | 56.2 | 36.5 | 29.5 |
| SSTD4-01870-4 | - | 18704 | 26986 | 723 | 1 | 870 | 30 | 79 | 6 | 4 | 2.7 | 2031 | 46.3 | 36.5 | 29.5 |
| SSTD4-01881-3 | - | 18814 | 36832 | 987 | 2 | 1160 | 30 | 85 | 6 | 3 | 2.7 | 2050 | 46.3 | 36.5 | 29.5 |
| SSTD4-01981-4 | 21490 | 19806 | 20923 | 560 | 1/2 | 870 | 30 | 77 | 8 | 4 | 3.6 | 2221 | 56.2 | 36.5 | 29.5 |
| SSTD4-02056-6 | 22308 | 20561 | 19454 | 521 | 1/2 | 870 | 30 | 77 | 8 | 6 | 3.6 | 2430 | 56.2 | 36.5 | 29.5 |
| SSTD4-02130-4 | - | 21298 | 33091 | 886 | 1-1/2 | 1160 | 30 | 85 | 6 | 4 | 2.7 | 2033 | 56.2 | 36.5 | 29.5 |
| SSTD4-02176-4 | - | 21756 | 24962 | 669 | 1 | 870 | 30 | 79 | 8 | 4 | 3.6 | 2216 | 56.2 | 36.5 | 29.5 |
| SSTD4-02196-3 | - | 21963 | 31741 | 850 | 1-1/2 | 1160 | 30 | 85 | 8 | 3 | 3.6 | 2115 | 56.2 | 36.5 | 29.5 |
| SSTD4-02228-4 | - | 22283 | 35482 | 950 | 2 | 1160 | 30 | 85 | 6 | 4 | 2.7 | 2127 | 46.3 | 36.5 | 29.5 |
| SSTD4-02231-3 | - | 22306 | 33943 | 909 | 2 | 1160 | 30 | 85 | 8 | 3 | 3.6 | 2209 | 56.2 | 36.5 | 29.5 |
| SSTD4-02345-6 | 25446 | 23452 | 22903 | 613 | 1 | 870 | 30 | 79 | 8 | 6 | 3.6 | 2425 | 56.2 | 36.5 | 29.5 |
| SSTD4-02459-3 | - | 24590 | 39534 | 1059 | 3 | 1160 | 30 | 85 | 8 | 3 | 3.6 | 2311 | 56.2 | 36.5 | 29.5 |
| SSTD4-02509-4 | - | 25087 | 30506 | 817 | 1-1/2 | 1160 | 30 | 85 | 8 | 4 | 3.6 | 2217 | 56.2 | 36.5 | 29.5 |
| SSTD4-02591-4 | - | 25906 | 32570 | 872 | 2 | 1160 | 30 | 85 | 8 | 4 | 3.6 | 2311 | 56.2 | 36.5 | 29.5 |
| SSTD4-02855-4 | - | 28548 | 37837 | 1013 | 3 | 1160 | 30 | 85 | 8 | 4 | 3.6 | 2413 | 56.2 | 36.5 | 29.5 |

* Capacity based on R717 refrigerant with either recirculated or flooded feed.
 † Sound ratings are based on 6 feet from the unit and under free field conditions.

Engineering Data



SSTD LOW PROFILE COOLERS — 5 FAN MODELS

| Model No. | Capacity* (Btu/h/°F) | | Airflow (CFM) | Velocity (FPM) | Fan Data | | | | Coil Data | | | Shipping Wt. (lbs.) | Electric Defrost (KW) | | |
|---------------|-------------------------|---------|------------------|-------------------|-------------|------|------|------|--------------|-----|------------------------------|------------------------|-----------------------------|------------------------|---------|
| | Wet | Frosted | | | Motor Hp | RPM | Dia. | dBA† | Rows Deep | fpi | Volume (ft ³) | | Room Temp | | |
| | | | | | | | | | | | | | > or = -20°F < or = +5°F | > +5°F < or = +33°F | > +33°F |
| SSTD5-01734-3 | 19079 | 17345 | 28725 | 616 | 1/2 | 870 | 30 | 78 | 6 | 3 | 3.4 | 2412 | 57.3 | 45.1 | 36.6 |
| SSTD5-01993-3 | - | 19931 | 34796 | 746 | 1 | 870 | 30 | 80 | 6 | 3 | 3.4 | 2406 | 57.3 | 45.1 | 36.6 |
| SSTD5-02063-3 | 22380 | 20627 | 27206 | 583 | 1/2 | 870 | 30 | 78 | 8 | 3 | 4.5 | 2611 | 69.5 | 45.1 | 36.6 |
| SSTD5-02066-4 | 22728 | 20662 | 28052 | 601 | 1/2 | 870 | 30 | 78 | 6 | 4 | 3.4 | 2508 | 57.3 | 45.1 | 36.6 |
| SSTD5-02238-3 | - | 22376 | 42501 | 911 | 1-1/2 | 1160 | 30 | 86 | 6 | 3 | 3.4 | 2407 | 57.3 | 45.1 | 36.6 |
| SSTD5-02281-6 | 25099 | 22818 | 26366 | 565 | 1/2 | 870 | 30 | 78 | 6 | 6 | 3.4 | 2706 | 57.3 | 46.1 | 36.6 |
| SSTD5-02332-3 | - | 23315 | 32375 | 694 | 1 | 870 | 30 | 80 | 8 | 3 | 4.5 | 2604 | 69.5 | 45.1 | 36.6 |
| SSTD5-02352-3 | - | 23517 | 46040 | 987 | 2 | 1160 | 30 | 86 | 6 | 3 | 3.4 | 2525 | 57.3 | 45.1 | 36.6 |
| SSTD5-02359-4 | - | 23594 | 33732 | 723 | 1 | 870 | 30 | 80 | 6 | 4 | 3.4 | 2501 | 57.3 | 45.1 | 36.6 |
| SSTD5-02378-4 | 25798 | 23777 | 26151 | 560 | 1/2 | 870 | 30 | 78 | 8 | 4 | 4.5 | 2739 | 69.5 | 45.1 | 36.6 |
| SSTD5-02567-6 | 27855 | 25673 | 24269 | 520 | 1/2 | 870 | 30 | 78 | 8 | 6 | 4.5 | 3000 | 69.5 | 46.1 | 36.6 |
| SSTD5-02670-3 | - | 26702 | 39666 | 850 | 1-1/2 | 1160 | 30 | 86 | 8 | 3 | 4.5 | 2606 | 69.5 | 45.1 | 36.6 |
| SSTD5-02709-4 | - | 27088 | 41365 | 886 | 1-1/2 | 1160 | 30 | 86 | 6 | 4 | 3.4 | 2503 | 57.3 | 45.1 | 36.6 |
| SSTD5-02720-4 | - | 27197 | 31203 | 669 | 1 | 870 | 30 | 80 | 8 | 4 | 4.5 | 2732 | 69.5 | 45.1 | 36.6 |
| SSTD5-02788-3 | - | 27880 | 42433 | 909 | 2 | 1160 | 30 | 86 | 8 | 3 | 4.5 | 2723 | 69.5 | 45.1 | 36.6 |
| SSTD5-02791-4 | - | 27905 | 44352 | 950 | 2 | 1160 | 30 | 86 | 6 | 4 | 3.4 | 2621 | 57.3 | 45.1 | 36.6 |
| SSTD5-02930-6 | 31798 | 29307 | 28615 | 613 | 1 | 870 | 30 | 80 | 8 | 6 | 4.5 | 2993 | 69.5 | 46.1 | 36.6 |
| SSTD5-03074-3 | - | 30742 | 49418 | 1059 | 3 | 1160 | 30 | 86 | 8 | 3 | 4.5 | 2851 | 69.5 | 45.1 | 36.6 |
| SSTD5-03093-4 | - | 30935 | 38128 | 817 | 1-1/2 | 1160 | 30 | 86 | 8 | 4 | 4.5 | 2733 | 69.5 | 45.1 | 36.6 |
| SSTD5-03279-4 | - | 32793 | 40730 | 873 | 2 | 1160 | 30 | 86 | 8 | 4 | 4.5 | 2851 | 69.5 | 45.1 | 36.6 |
| SSTD5-03567-4 | - | 35667 | 47297 | 1014 | 3 | 1160 | 30 | 86 | 8 | 4 | 4.5 | 2978 | 69.5 | 45.1 | 36.6 |

* Capacity based on R717 refrigerant with either recirculated or flooded feed.

† Sound ratings are based on 6 feet from the unit and under free field conditions.



EVAPCO—Your ONE SOURCE FOR QUALITY REFRIGERATION SYSTEM COMPONENTS.

Evaporative Condensers



Induced Draft Models



Forced Draft Models



Critical Process Air Systems



Custom Recirculators & Vessels



Cooling Towers & Closed Circuit Coolers



Induced Draft Models



Forced Draft Models

Make-Up Air Systems



Horizontal & Vertical
Recirculators

EVAPCO, Inc. — World Headquarters & Research / Development Center

EVAPCO, Inc. ■ P.O. Box 1300 ■ Westminster, MD 21158 USA
PHONE: 410-756-2600 ■ FAX: 410-756-6450 ■ E-MAIL: marketing@evapco.com

EVAPCO North America

EVAPCO, Inc.
North American Headquarters
P.O. Box 1300
Westminster, MD 21158 USA
Phone: 410-756-2600
Fax: 410-756-6450
E-mail: marketing@evapco.com

EVAPCO East
5151 Allendale Lane
Taneytown, MD 21787 USA
Phone: 410-756-2600
Fax: 410-756-6450
E-mail: marketing@evapco.com

EVAPCO Midwest
1723 York Road
Greenup, IL 62428 USA
Phone: 217-923-3431
Fax: 217-923-3300
E-mail: evapcomw@evapcomw.com

EVAPCO West
1900 West Almond Avenue
Madera, CA 93637 USA
Phone: 559-673-2207
Fax: 559-673-2378
E-mail: contact@evapcowest.com

EVAPCO Iowa
925 Quality Drive
Lake View, IA 51450 USA
Phone: 712-657-3223
Fax: 712-657-3226

**EVAPCO Iowa
Sales & Engineering**
1234 Brady Boulevard
Owatonna, MN 55060 USA
Phone: 507-446-8005
Fax: 507-446-8239
E-mail: evapcomn@evapcomn.com

**Refrigeration Valves &
Systems Corporation**
A wholly owned subsidiary of EVAPCO, Inc.
1520 Crosswind Dr.
Bryan, TX 77808 USA
Phone: 979-778-0095
Fax: 979-778-0030
E-mail: rvs@rvscorp.com

McCormack Coil Company, Inc.
A wholly owned subsidiary of EVAPCO, Inc.
P.O. Box 1727
6333 S.W. Lakeview Boulevard
Lake Oswego, OR 97035 USA
Phone: 503-639-2137
Fax: 503-639-1800
E-mail: mail@mmccoil.com

EvapTech, Inc.
A wholly owned subsidiary of EVAPCO, Inc.
8331 Nieman Road
Lenexa, KS 66214 USA
Phone: 913-322-5165
Fax: 913-322-5166
E-mail: marketing@evaptechinc.com

Tower Components, Inc.
A wholly owned subsidiary of EVAPCO, Inc.
5960 US HWY 64E
Ramseur, NC 27316
Phone: 336-824-2102
Fax: 336-824-2190
E-mail: mail@towercomponentsinc.com

EVAPCO Europe

EVAPCO Europe, N.V.
European Headquarters
Industrieterrein Oost 4010
3700 Tongeren, Belgium
Phone: (32) 12-395029
Fax: (32) 12-238527
E-mail: evapco.europe@evapco.be

EVAPCO Europe, S.r.l.
Via Ciro Menotti 10
1-20017 Passirana di Rho
Milan, Italy
Phone: (39) 02-939-9041
Fax: (39) 02-935-00840
E-mail: evapcoeuropa@evapco.it

EVAPCO Europe, S.r.l.
Via Dosso 2
23020 Piateda Sondrio, Italy

EVAPCO Europe, GmbH
Bovert 22
D-40670 Meerbusch, Germany
Phone: (49) 2159-69560
Fax: (49) 2159-695611
E-mail: info@evapco.de

EVAPCO S.A. (Pty.) Ltd.
A licensed manufacturer of EVAPCO, Inc.
18 Quality Road
Isando 1600
Republic of South Africa
Phone: (27) 11 392-6630
Fax: (27) 11-392-6615
E-mail: evapco@evapco.co.za

Tiba Engineering Industries Co.
A licensed manufacturer of EVAPCO, Inc.
5 Al Nasr Road St.
Nasr City,
Cairo, Egypt
Phone: (20) 2-290-7483 / (20) 2-291-3610
Fax: (20) 2-404-4667 / (20) 2-290-0892
E-mail: manzgroup@tedata.net.eg

EVAPCO Asia/Pacific

**EVAPCO China
Asia/Pacific Headquarters**
1159 Luoning Rd., Baoshan Industrial Zone
Shanghai, P. R. China, Postal Code: 200949
Phone: (86) 21-6687-7786
Fax: (86) 21-6687-7008
E-mail: marketing@evapcochina.com

**Evapco (Shanghai) Refrigeration
Equipment Co., Ltd.**
1159 Louning Rd., Baoshan Industrial Zone
Shanghai, P.R. China
Postal Code: 200949
Phone: (86) 21-6687-7786
Fax: (86) 21-6687-7008
E-mail: marketing@evapcochina.com

**Beijing EVAPCO Refrigeration
Equipment Co., Ltd.**
Yan Qi Industrial Development District
Huai Rou County
Beijing, P.R. China
Postal Code: 101407
Phone: (86) 10 6166-7238
Fax: (86) 10 6166-7395
E-mail: evapcobj@evapcochina.com

Aqua-Cool Towers (Pty.) Ltd.
A licensed manufacturer of EVAPCO, Inc.
34-42 Melbourne St.
P.O. Box 436
Riverstone, N.S.W. Australia 2765
Phone: (61) 29 627-3322
Fax: (61) 29 627-1715
E-mail: sales@aquacoolingtowers.com.au

EVAPCO...SPECIALISTS IN HEAT TRANSFER PRODUCTS AND SERVICES.

Visit EVAPCO's Website at: <http://www.evapco.com>