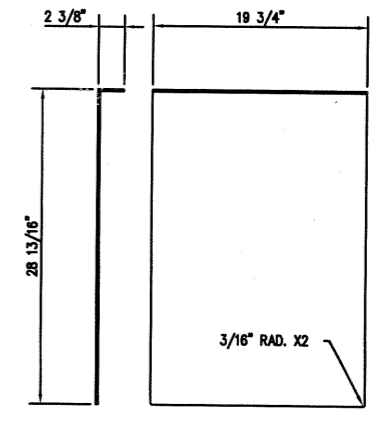
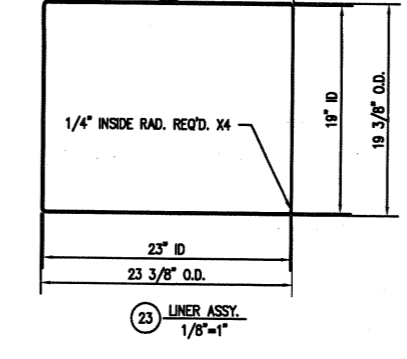
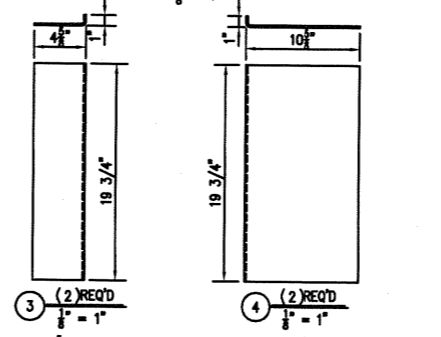
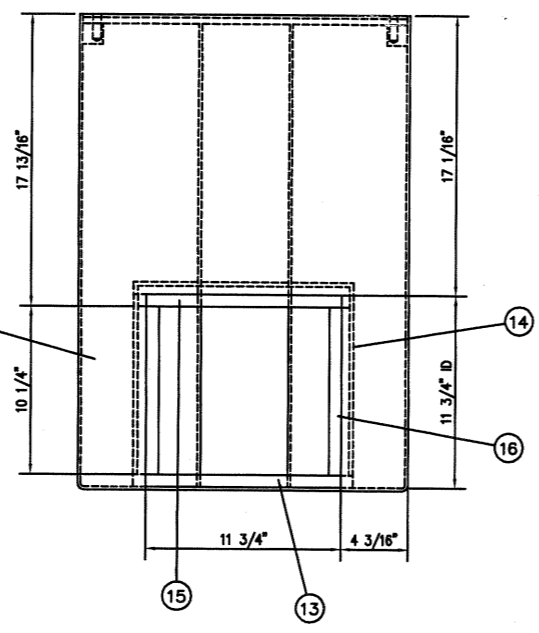
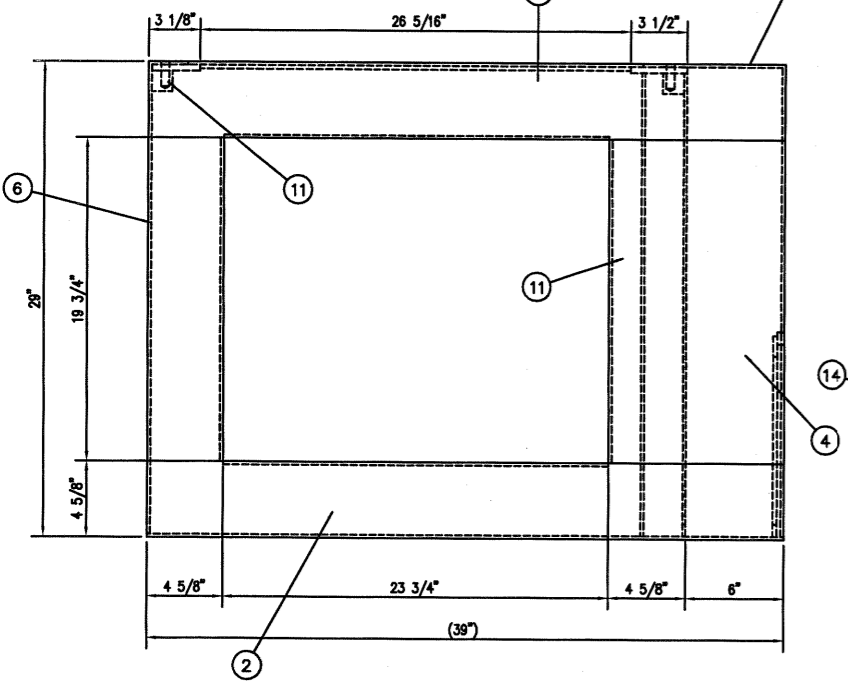
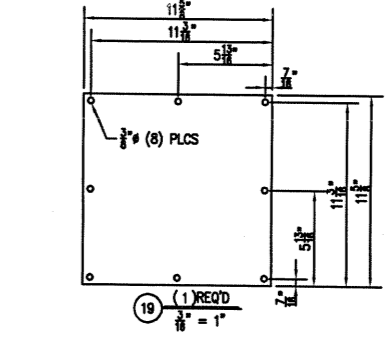
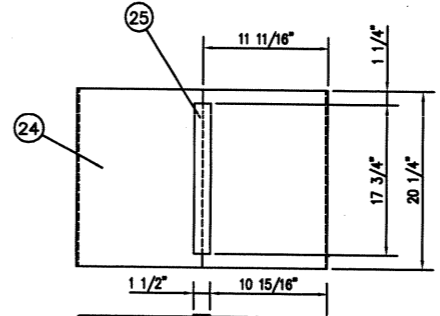
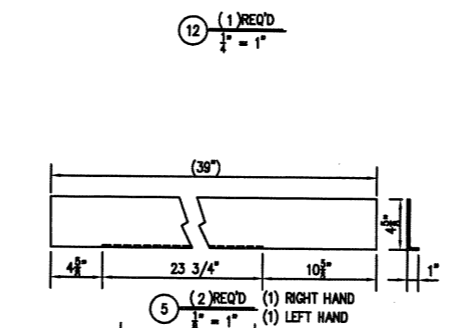
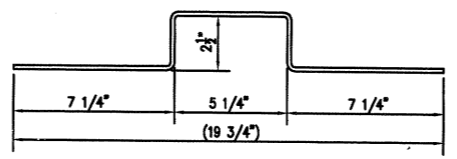
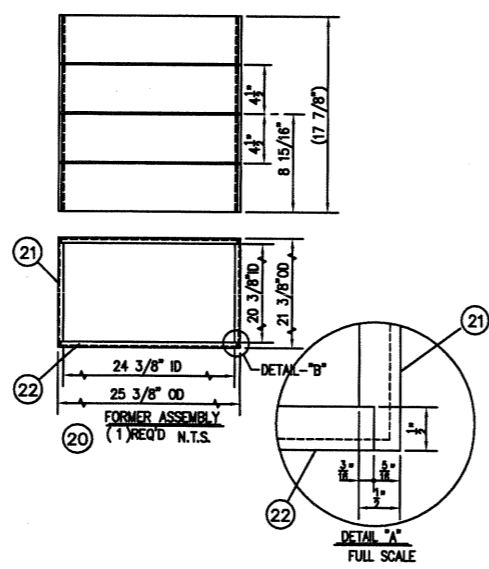
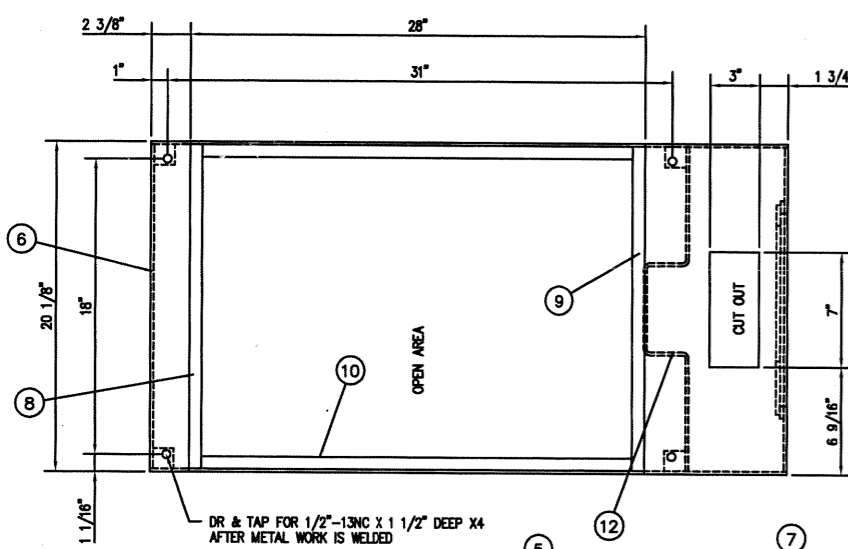


ITEM	QTY	PART NO.	DESCRIPTION
1	1		METAL WORK ASSEMBLY (ITEMS 2 THRU 18)
2	1		PL. 1/2\" x 29 7/8\" x 39\" LG. (304SS) SEE DETAIL
3	2		PL. 1/2\" x 5\" x 19\" LG. (304SS)
4	2		PL. 1/2\" x 19\" x 11 1/2\" LG. (304SS)
5	1R/1L		PL. 1/2\" x 5\" x 39\" LG. (304SS)
6	1		PL. 1/2\" x 19\" x 30\" LG. (304SS)
7	1		PL. 1/2\" x 19\" x 37 1/2\" LG. (304SS) SEE DETAIL
8	1		PL. 1/2\" x 3\" x 19\" LG. (304SS)
9	1		PL. 1/2\" x 3 1/2\" x 19\" LG. (304SS)
10	2		FB. 1/2\" x 2\" x 28 5/16\" LG. (304SS)
11	4		1 1/2\" SQ. BAR x 1 1/2\" LG. (304SS)
12	1		PL. 1/2\" x 28 1/2\" x 24\" LG. (304SS)
13	2		FB. 1/2\" x 3\" x 13 1/2\" LG. (304SS)
14	2		FB. 1/2\" x 3\" x 11 3/4\" LG. (304SS)
15	1		FB. 1/2\" x 1 1/2\" x 12\" LG. (304SS)
16	2		FB. 1/2\" x 1 1/2\" x 10 1/2\" LG. (304SS)
17	1		PL. 1/2\" x 19\" x 27\" LG. (304SS) SEE DETAIL
18	1	A-24348-2	GLAND PLATE
19	1	APPLIED PLASTIC	ACRYLIC PL. 1/2\" x 11 1/2\" x 11 1/2\" LG. SEE DETAIL
20	1		FORMER ASSEMBLY (ITEMS 21 AND 22) SEE DETAIL
21	2		1/2\" MARINE PLYWOOD x 21\" x 17 1/2\" LG.
22	2		1/2\" MARINE PLYWOOD x 17 1/2\" x 24 1/2\" LG.
23	1		LINER ASSEMBLY (ITEMS 24 THRU 26)
24	1	APPLIED PLASTIC	ACRYLIC PL. 1/2\" x 20 1/2\" x 8 1/2\" LG. SEE DETAIL
25	1	APPLIED PLASTIC	ACRYLIC PL. 1/2\" x 1 1/2\" x 17 1/2\" LG.
26	2	APPLIED PLASTIC	ACRYLIC PL. 1/2\" x 21 1/2\" x 25 1/2\" LG. SEE DETAIL
27	4	A-28804-1	UHMW SPACERS
28	4	A-24347-2	UHMW WASHER
29	1	A-24842-3	GUARDIAN ELECTRONICS KIT



NOTES:
 UNLESS OTHERWISE SPECIFIED:
 1. FOR ALL EXTERIOR CAULKING USE 732 CAULKING
 2. ALL EXTERIOR WELDS TO BE GROUND SMOOTH
 3. FOR SILKSCREENING PATTERNS SEE ROGER READ, OR JIM OSWELL.

P.O. BOX 489 NEWBERG, OREGON 97132	
S.S. GUARDIAN METAL DETECTOR 19" x 23" APERTURE OPENING	
DATE: 6/27/94 CHECKED BY:	SCALE: (NOTED) DWN. BY: VINCENT
MARK:	DESCRIPTION: DRAWING REVISIONS
DATE:	DATE:
D-31364	