

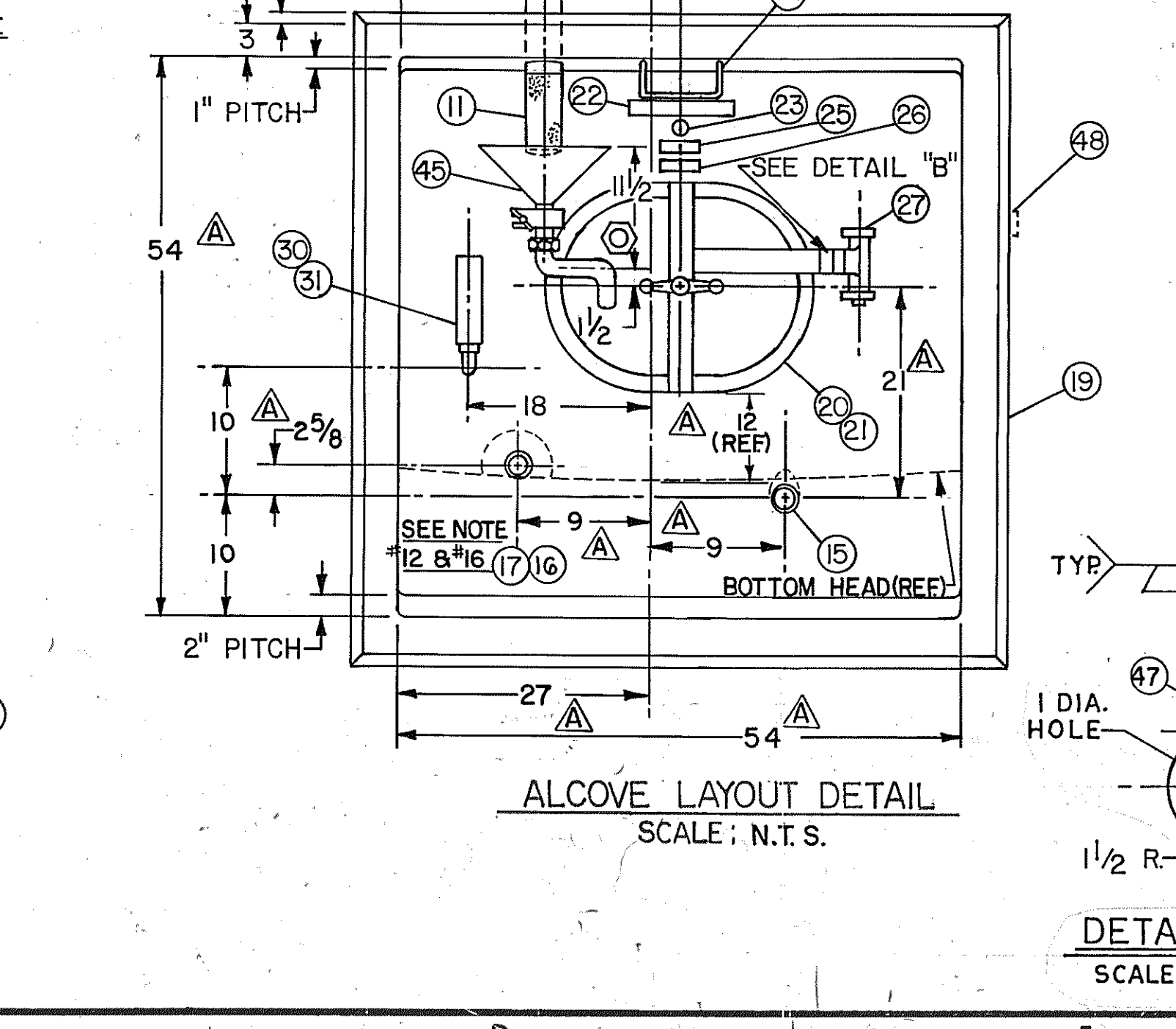
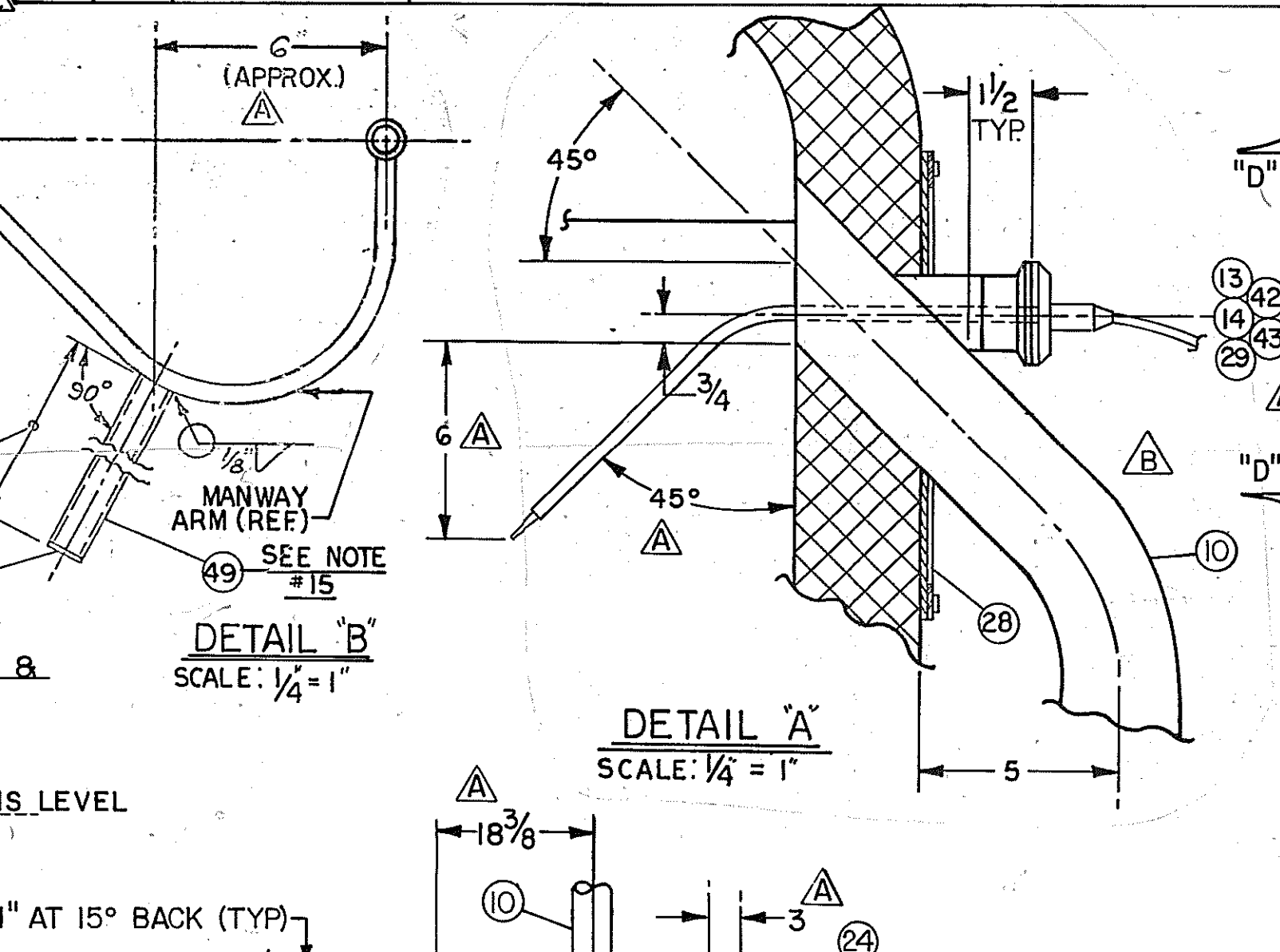
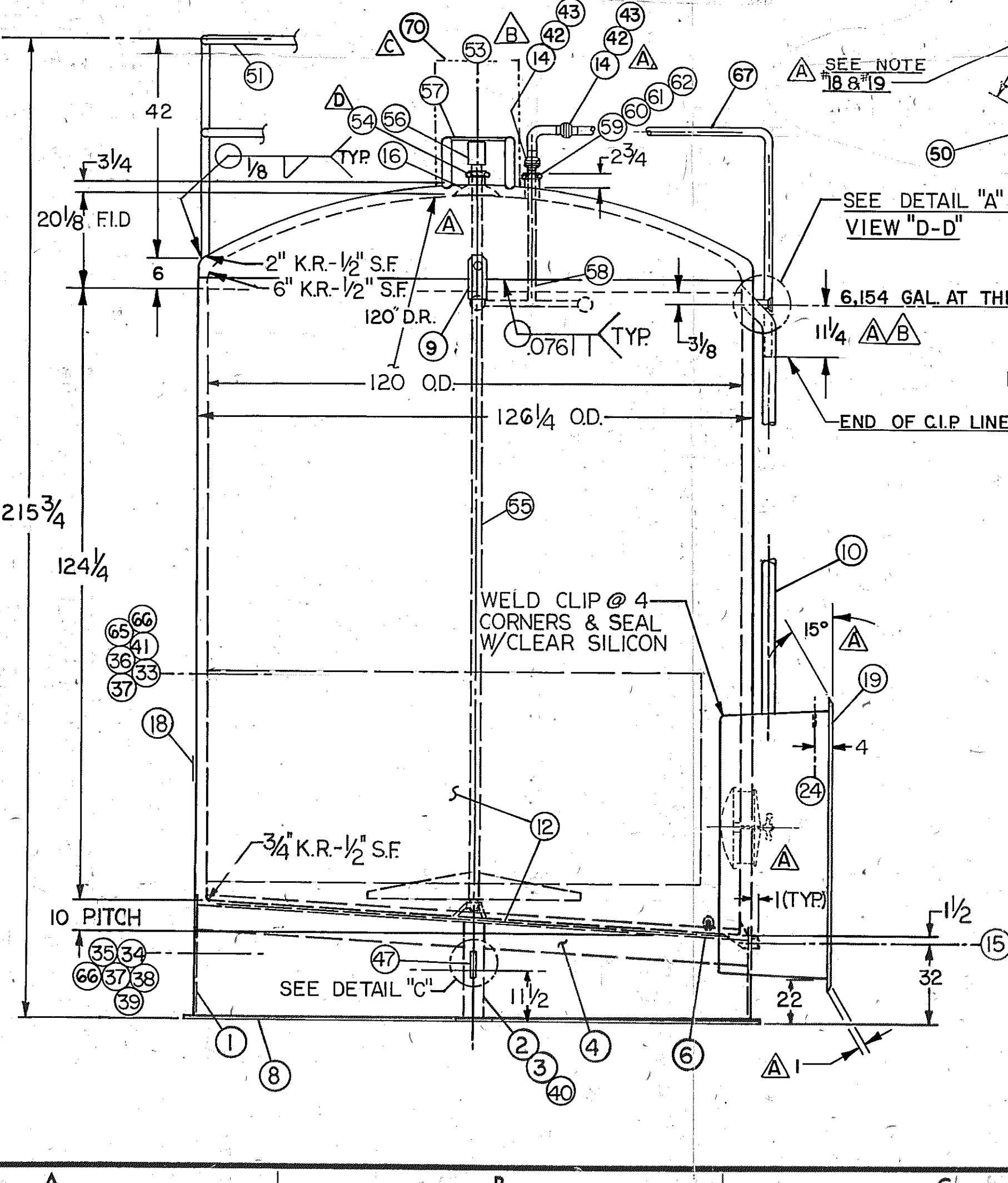
ITEM NO.	NO. REQ'D.	PART NO. OR DRAWING NO.	DESCRIPTION
48	1	REF.	PROXIMITY SWITCH ~FURNISHED & LOCATED BY CUST.
49	1	DETAIL "B"	1" X 2" RECTANGLE, 12GA. 409S/S (SEE NOTE 15)
50	1	DETAIL "B"	END CAP ~1" X 2" 12GA. 409S/S (SEE NOTE 15)
51	1	DPO3541-C	TOP GUARDRAIL & ANGLE POST OPENING ASSY. (SEE NOTE #11)
52	2	9902116-A	ESCUTCHEON PLATE ~C/S
53	1		3/1/2 H.P. GEAR MOTOR 43/21 1/2 R.P.M. ~"JEFFREY" #CPI84TX-400RL, 40:1 RATIO, VERTICAL, POS. F-IR, MOTOR 172.5/862.5 R.P.M. 3/60/460V. T.E.F.C.
54	1	DPO3545-C	COMBINATION TEFLON 8" O.D. RING AGITATOR SHAFT SEAL
55	1	9901114-C	AGIT. ASSY. 304S/S UPPER SHAFT 2" DIA. 145 15/16 LG., BLADE 1/4" PLATE 48" DIA.
56	1	9901036-6B	AGIT. COUPLING
57	1	9900775-B	AGIT. TRUSS ASSY. NO. STF
58	1		KLENZADE SB-1 C.I.P. SPRAY DEVICE LESS FERRULE
59	1	9901133	2 1/2" 304 S/S THD. FERRULE #L15A7
60	1		2 1/2" O.D. X .065" 304 S/S TUBE ~FERRULE EXTENSION
61	1	9901127	2 1/2" 304 S/S HEX NUT #13H
62	1	9901400	2 1/2" SPLIT NYLON CAP
63			
64			
65	1	REF.	T/P VENT CONN. 1/2" PIPE
66	4	9902112-B	JACKET SEAL FOR TEMP-PLATE CONNECTIONS
67	1		C.I.P. LINE ~1/2" O.D. X .065" WALL, 304 S/S TUBE, POLISHED I.D.
68	3		JUMPER LINE ~1/2" O.D. X .065" WALL, 304 S/S TUBE
69	4		CAP, 1/2" LADISH #16AMP, 304 S/S
70	1	DPO3500-C	AGITATOR COVER ASSY.

NOTE:
ALL ARC MEASUREMENTS ARE TO BE TAKEN ON I.D. OF INNER LINER.

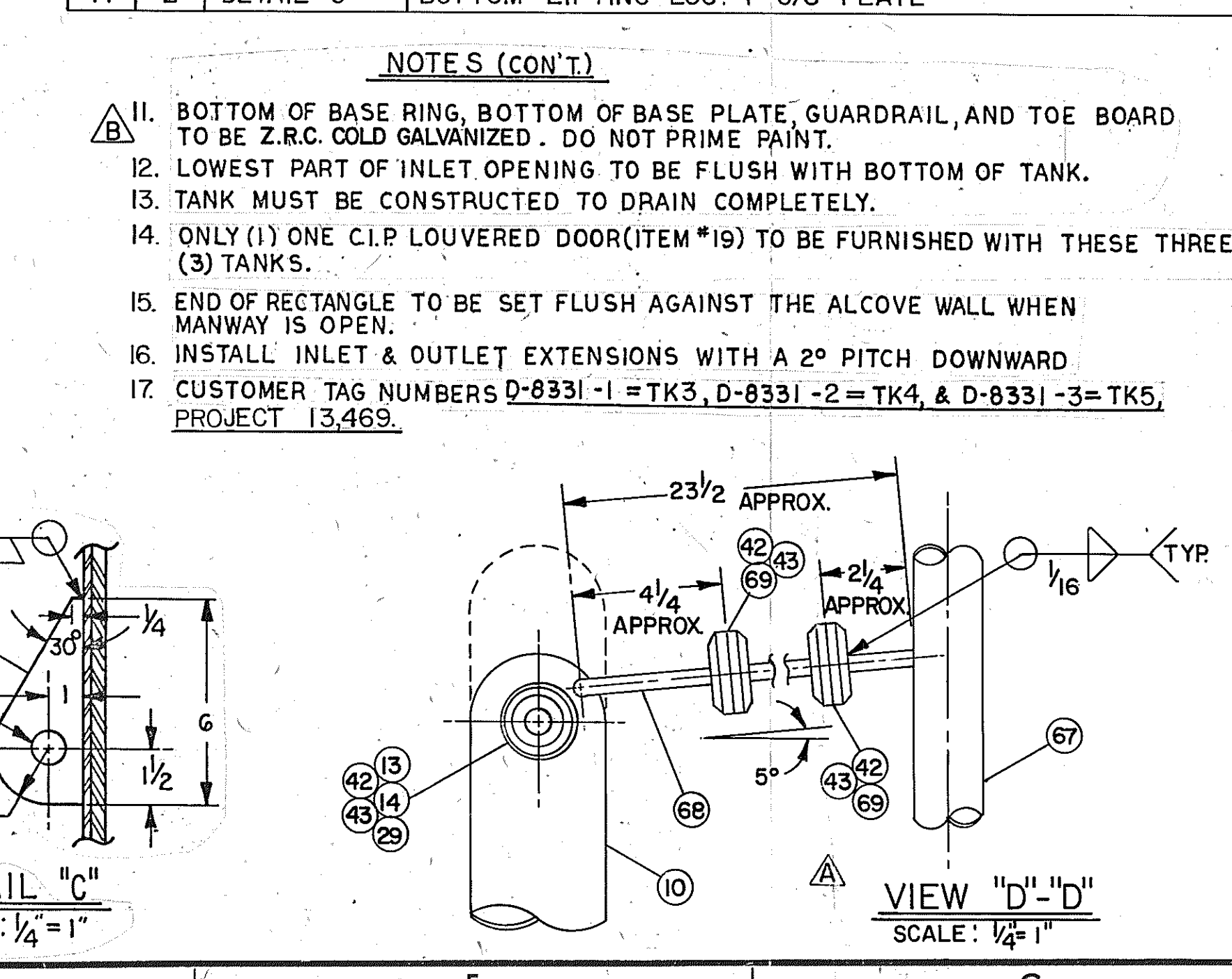
NOTE'S (CONT.)

18. LAYOUT NOTE: MAKE THE 1" X 2" RECTANGLE 8" LONG TO ALLOW FOR TRIMMING.

19. SHOP NOTE: WITH MANWAY DOOR OPENED AS WIDE AS POSSIBLE, ADJUST THE 1" X 2" RECTANGLE TO A POSITION THAT ALLOWS IT TO BE SHORT AS POSSIBLE. END OF RECTANGLE TO BE FLUSH AGAINST THE ALCOVE WALL WHEN MANWAY IS OPEN.



ITEM NO.	NO. REQ'D.	PART NO. OR DRAWING NO.	DESCRIPTION
1	1		INNER SKIRT ~1/4" C/S PLATE
2	1		CENTER SUPPORT ~4" SCH. 40 B.I. PIPE
3	1		BASE PLATE ~1/2" C/S PLATE 8" X 8" (SEE NOTE 11)
4	8		BRACE ~3/8" X 8" C/S PLATE
5	8		WEB ~1/4" X 4" C/S PLATE
6	1	9900896-A	VENT SCREEN
7	1	9900375	INSTRUCTION ENVELOPE ASSY.
8	1		BASE RING ~1/2" X 4" C/S BAR X 130 3/4" O.D. (SEE NOTE 11)
9	2	9901258-B	LIFTING LUG
10	1		VENT LINE ~3" O.D. X .065" WALL, 304 S/S TUBE, POLISHED I.D.
11	1	SPECIAL 13305-C	VENT SCREEN (EXCEPT 3 1/8" I.D.)
12	1		TEMP-PLATE ASSY. APPROX. 150 S.F. (SEE NOTE #11)
13	1	DETAIL "A"	EXTENSION ~1/2" O.D. X .065" WALL, 304 S/S TUBE, POLISHED I.D.
14	5	9900106-B	FERRULE ~1/2" CLAMP TYPE 304 S/S "MUELLER" #M14AM
15	1	9900697-B	2" POD ASSY. ~FOR BUTT WELD VALVE (SEE NOTE #16) TANK
16	2	9900146-B	COLLAR
17	1		EXTENSION ~2 1/4" O.D. X .188" WALL 304 S/S TUBE (SEE NOTE #16)
18	1	9900626	DATA PLATE
19	1		ALCOVE 12GA. 304S/S #4/2B
20	1	DPO3265-D	MANWAY ASSY. (RH), W/"LADISH" 30SA SAMPLE COCK, S/S
21	1	9900975-C	LOUVERED DOOR (CUT A HOLE IN THE DOOR FOR FUNNEL TUBE & SEE NOTE 14)
22	1	3743	NÁME PLATE
23	1	9901457	3A LABEL
24	1	9901062-A	HANDHOLD S/S
25	1	9901405	C.I.P. CAUTION PLATE
26	1	9900362	CAUTION PLATE
27	1		PERM. STAMP SERIAL NO.
28	1	9900245-B	COVER PLATE ASSY.
29	1	DETAIL "A"	"LUMENITE" HIGH LEVEL PROBE, DCFT-1/2 W/15 FT. LONG CABLE, TYPE "J" JACK, & 24" TEFLON PROBE (TRIMED TO 18" LG.)
30	1	9901302-A	PPOJECTILE WELL
31	1		"ANDERSON" #J12B, 90° ANGLE THERMOMETER, 20°-220°F
32	1	9900984-B	PPOJECTILE WELL (SAME AS TAYLOR #26P397)
33	1	REF.	T/P OUTLET CONN. 1/2" PIPE
34	1	REF.	T/P INLET CONN. 1/4" PIPE
35	1	9901403	"IN" LABEL
36	1	9901404	"OUT" LABEL
37	3	9900407	CAUTION PLATE
38	1	REF.	T/P DRAIN CONN. 1/2" PIPE
39	1		DYNA TAPE LABEL "OIL DRAIN"
40	1	9902239-C	OUTER BOTTOM HEAD DETAILS
41	1		DYNA TAPE LABEL "VENT"
42	5	30357-A	GASKET ~1/2" SILICONE #40MP-FX
43	5	DETAIL "A"	1/2" HEAVY DUTY 304 S/S CLAMP 13MHMM
44	1	9900245-B	COVER PLATE ASSY.
45	1	DPO1442-C	FUNNEL ASSY. ~304 S/S
46	1		LIQUID LEVEL TRANSMITTER (CUSTOMER FURNISHED)
47	2	DETAIL "C"	BOTTOM LIFTING LUG ~1" C/S PLATE



MATERIALS AND FINISHES

SHELL 12GA. 304 S/S #4/2B

TEMP-PLATE 20 GA. 304S/S #2B/2S ON 12GA. 304S/S 4/2B & 10GA. 304S/S 4/2B

OUTER SHELL 10 GA C/S

HEADS INNER TOP ~12GA. 304S/S #4/2B

INNER BOT. ~10GA. 304S/S #4/2B

OUTER TOP ~10GA. C/S

OUTER BOT. ~1/4" C/S (SEE NOTE #8)

INSULATION 3" URETHANE (9900684) - SIDE-WALL, FIBERGLASS (3076) - TOP HEAD & VOIDS (SEE NOTE #7), FOR BOT. HEAD SEE NOTE #8

PAINT PRIME PAINT C/S 2MIL. THICK

MATERIAL FINISHES

INTERIOR 4 EXTERIOR PRIME PAINT

WELD FINISHES

INTERIOR GRD. FLUSH & RIBBON POL. (11W)

EXTERIOR SCALE REMOVED (6W)

SPECIFICATIONS	TEMP-PLATE	VESSEL
ASME	NO	NO
DESIGN TEMP. °F.	100	170 (NOTE #9)
DESIGN PRESS. P.S.I.G.	140	0
DESIGN VACUUM IN. HG.	0	0
HYDROSTATIC TEST P.S.I.G.		0
PNEUMATIC TEST P.S.I.G.	175	
DEHYDRATE (S.O.P. 23-6)		
HEATING MEDIUM		
COOLING MEDIUM	PUMPED NH ₃	
RADIOGRAPH, SHELL		
RADIOGRAPH, HEADS		

NOTES

- ALL MATERIALS OR COMPONENT PARTS CALLED OUT ON THIS DRAWING SHALL BE AS SPECIFIED "OR APPROVED EQUAL."
- DIMENSIONS, UNLESS OTHERWISE INDICATED, ARE NOMINAL AND STANDARD SHOP TOLERANCES ARE TO BE EXPECTED. MEASUREMENTS FOR ANY FIELD ATTACHMENTS SHOULD BE VERIFIED ON SITE BY OTHERS BEFORE FABRICATION OF THE ATTACHMENTS. (S.O.P. 23-7)
- IF USED IN CONTACT WITH MATERIALS CONTAINING SALT OR OTHER CHLORIDES, THE CORROSION RESISTANCE OF THIS EQUIPMENT IS NOT THE RESPONSIBILITY OF THE PAUL MUELLER COMPANY WITHOUT WRITTEN ACCEPTANCE BASED ON A SPECIFIC SERVICE.
- ALL FLANGES WILL HAVE BOLT HOLES STRADDLE THE 0°-180° & 90°-270° CENTER LINES, UNLESS SPECIFIED OTHERWISE.
- VESSEL TO BE VENTED FOR SHIPMENT.
- ALL DIMENSIONS ARE IN INCHES UNLESS SPECIFIED OTHERWISE.
- TOP HEAD TO HAVE 4" FIBERGLASS INSULATION COMPRESSED TO 3".
- INSULATE BOT. HD. WITH SPRAY URETHANE (9900468) PER 9902239C EXCEPT 3" THICK AND 1/2" THICK ON ALL SECONDARY SURFACES UNDER TANK INCLUDING SKIRT, LEG, TOP OF BASE RING AND TOP OF BASE PLATE.
- VESSEL DESIGN TEMPERATURE OF 170° F. IS BASED ON C.I.P. CLEANING AT SHORT INTERVALS OF TIME.
- SUITABLE PRESSURE RELIEF VALVE MUST BE INSTALLED BY CUSTOMER FOR TEMP-PLATE OPERATION.

EST. EMPTY WEIGHT 9,600 LBS.

SCALE 1/2" = 12" (DO NOT SCALE THIS DRAWING)

DRAWN BY S. FORSTE DATE 1-18-80

CHECKED BY LOWRANCE DATE 1-23-80

APPROVED [Signature] DATE 6-17-80

SOLD TO SAFEWAY STORES, INC. OAKLAND, CALIFORNIA

CUSTOMER ORDER NO. 043622

TITLE 6,000 GAL. MODEL "SVW" SILO

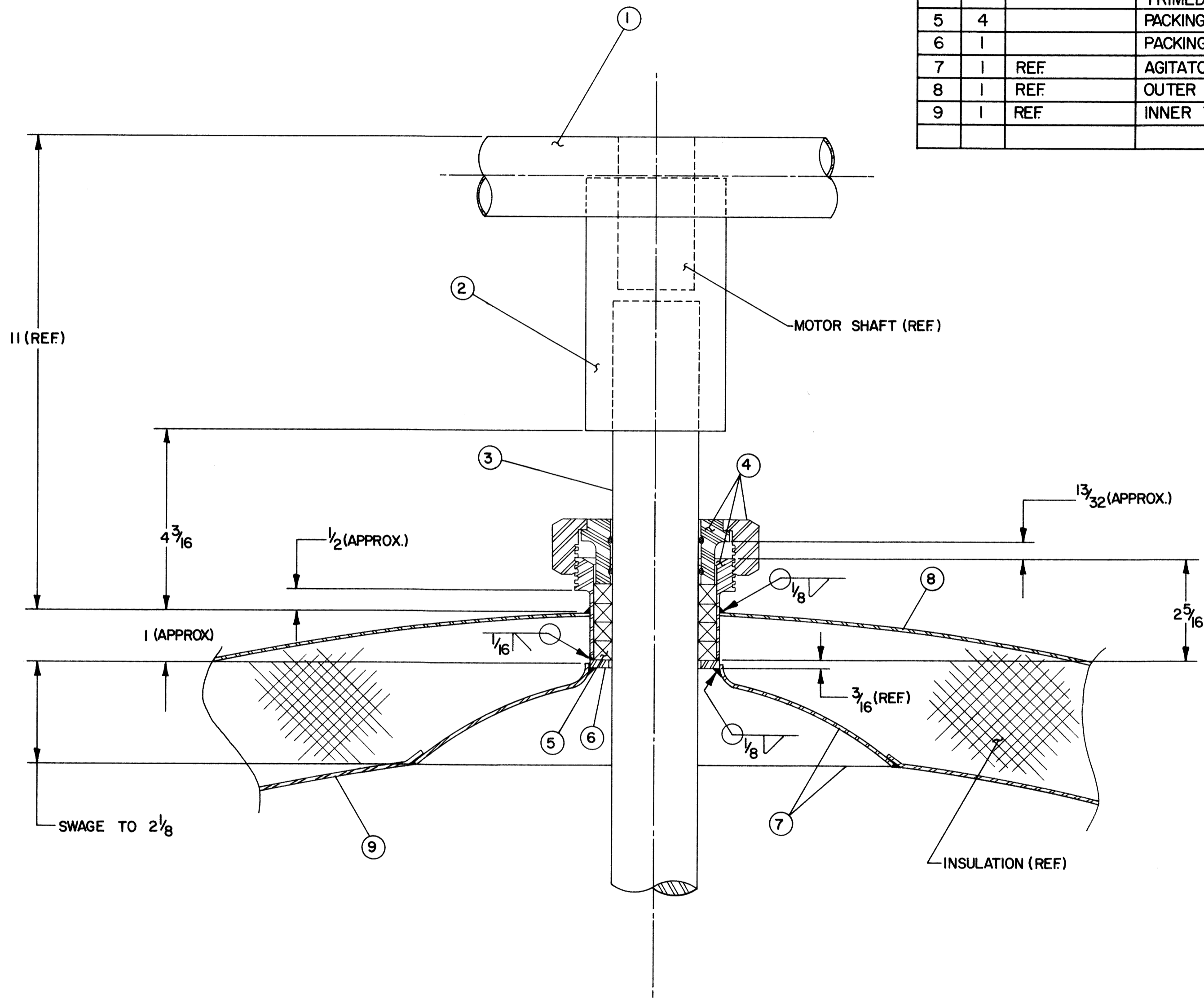
QUANTITY (3) THREE

This drawing and any print thereof is the property of the PAUL MUELLER CO., Springfield, Mo., and is subject to return on request by this company. The information shown is confidential and the recipient by accepting this drawing agrees not to use any information contained thereon in any manner which will be detrimental to the Paul Mueller Co.

PAUL MUELLER COMPANY
P. O. BOX 888 / SPRINGFIELD, MISSOURI, U.S.A. 65801
TELEPHONE (417) 881-2000 / CABLE: MUELLER
TELEX 447447
EUROPE: Mueller Europa B. V., Lichtenwörden, Holland

SALES ORDER & SERIAL NO. DRAWING NO.
D-8331-1-2&3 DPO3283-D

ITEM NO.	NO. REQ'D.	PART NO. OR DRAWING NO.	DESCRIPTION
1	1	REF.	AGITATOR TRUSS ASS'Y.
2	1	REF.	AGITATOR COUPLING
3	1	REF.	AGITATOR SHAFT
4	1	SPECIAL 3950774-B	SHAFT SEAL ASS'Y., STYLE "F" W/ SPECIAL 3" #15WL FERRULE
-	-	-	TRIMED AS SHOWN
5	4		PACKING, 7/16" SQ. TEFLON, ROLLED TO 2" I.D., F.D.A. APPROVED
6	1		PACKING STOP, .1874" MIN., 304 S/S, 2B/2S, 3" O.D. X 2 1/8" I.D.
7	1	REF.	AGITATOR COLLAR
8	1	REF.	OUTER TOP HEAD
9	1	REF.	INNER TOP HEAD



NOTES
 1. ALL DIMENSIONS ARE IN INCHES.

ALL MATERIALS OR COMPONENT PARTS CALLED OUT ON THIS DRAWING SHALL BE AS SPECIFIED OR APPROVED EQUAL.

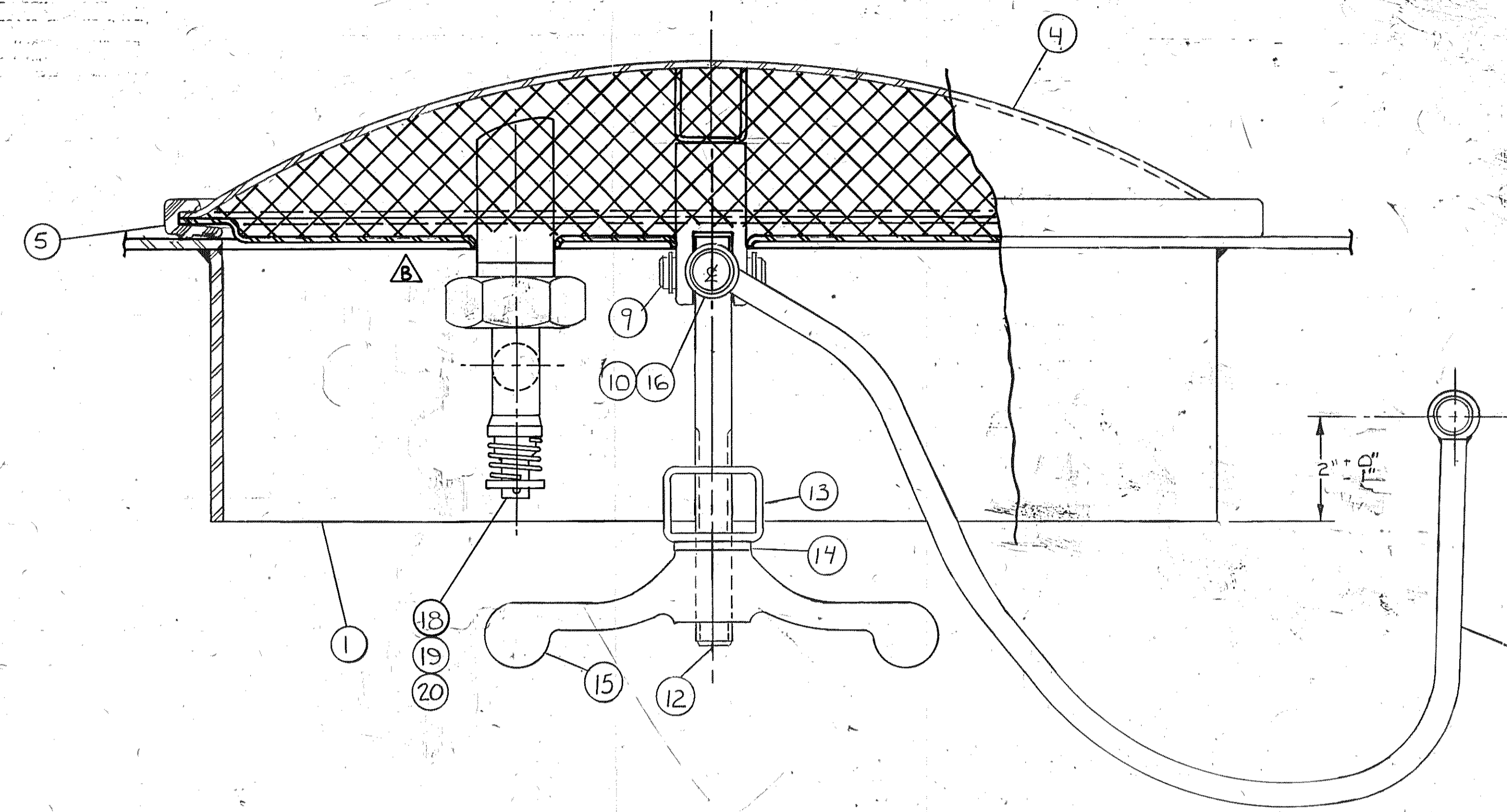
SYM.	CHANGE	BY	DATE

This drawing and any print thereof is the property of the PAUL MUELLER CO., Springfield, Mo., and is subject to return on request by this company. The information shown is confidential and the recipient by accepting this drawing agrees not to use any information contained thereon in any manner which will be detrimental to the Paul Mueller Co.

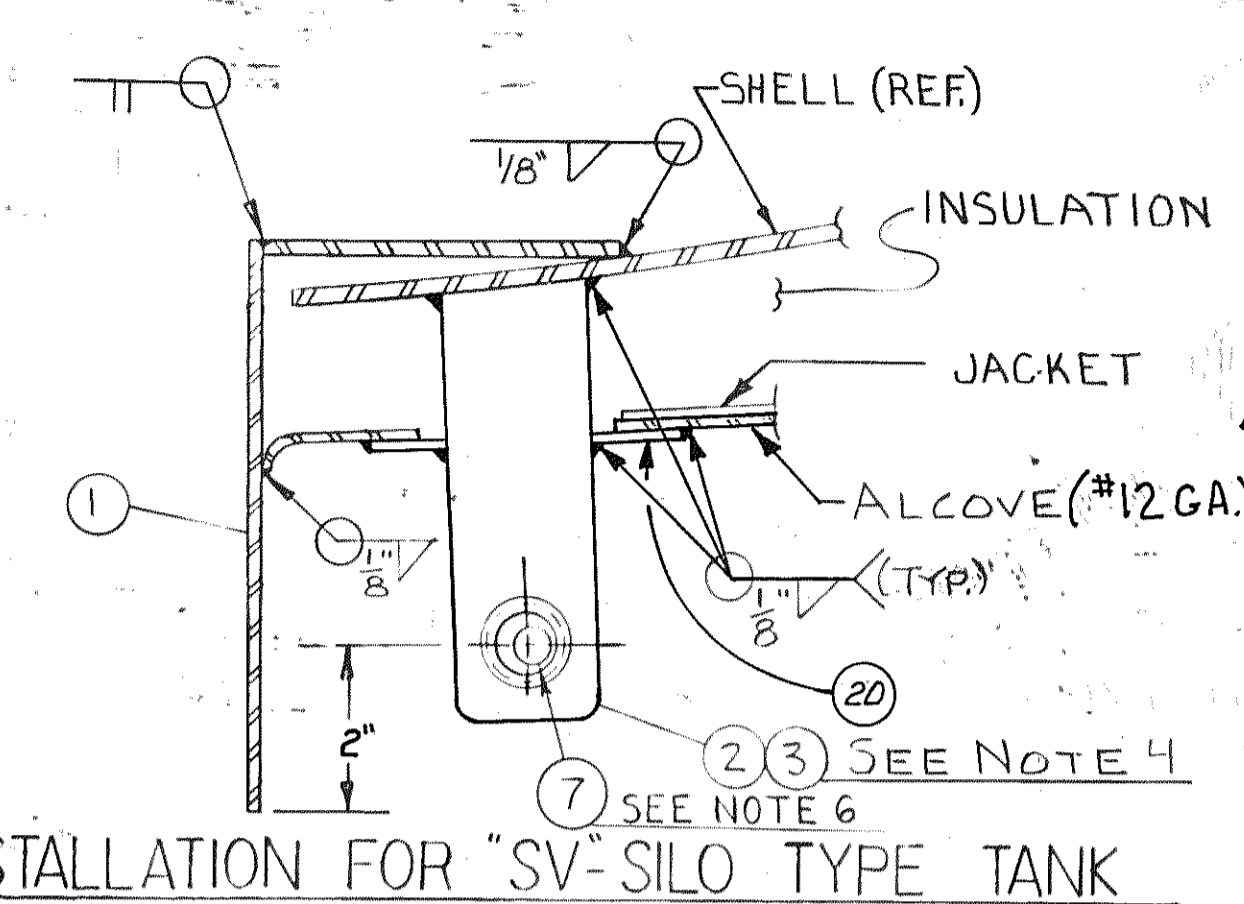
DRAWN BY K. COOK	SALES ORDER D-8331	MODEL (S) "SVW"	PAUL MUELLER COMPANY P. O. BOX 828 / SPRINGFIELD, MISSOURI, U.S.A. 65801 TELEPHONE: (417) 831-3000 / CABLE: MUELLER TELEX 43-9427
DATE 1-7-81	CHECKED BY LOWRANCE	SCALE 1/2" = 1"	
DATE 1-9-81		SIZE 6,000 GAL.	
TITLE: COMBINATION TEFLON AND "O" RING AGITATOR SHAFT SEAL FOR 2" DIA. SHAFT			DRAWING NO. DPO3545-C

SEPIA FROM DWG. NO. **DPO3545-C**

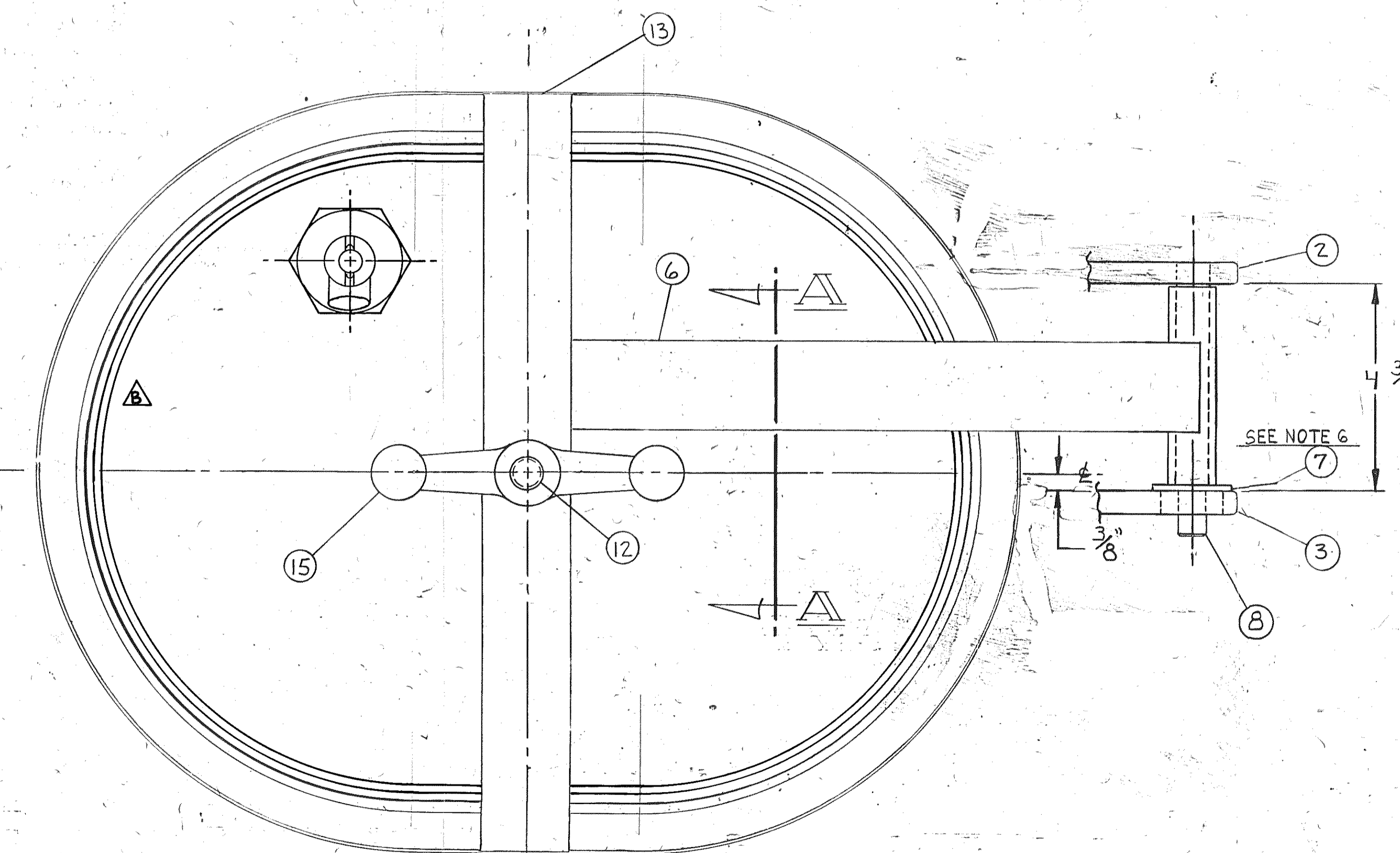
Item No.	Part No. & Drawing No.	DESCRIPTION
1	9901707-B	COLLAR & BOSS PLATE WELDMENT
2	(SEE NOTE 4)	UPPER HINGE LUG
3	(SEE NOTE 4)	LOWER HINGE LUG
4	(SEE NOTE 2)	DOOR WELDMENT
5	9901382	GASKET (DWG. 9901382-C)
6	9901372	HINGE ARM WELDMENT (DWG. 9901372-C)
7	9901383-A	HINGE ARM ECCENTRIC ADJUSTMENT BUSHING
8	9901409	HINGE ARM PIN (DWG. 9901409-A)
9	9901081	DOOR HINGE PIN ASSY. 5/8" DIA. (DWG. 9901081-C)
10	9900846	DOOR HINGE COLLAR (DWG. 9900846-A)
11		
12	9901371	DRAW BOLT FORGING & WELDMENT (DWG. 9901371-B)
13	9901379	CLAMP BAR WELDMENT (DWG. 9901379-B)
14	9900085	NON-GALLING WASHER (DWG. 9900085-A)
15	9902250	WING NUT (DWG. 9902250-B)
16	9900847	ROLL PIN, 3/16" DIA. 3/8" X 1" LG.
17	3203065	SET SCREW
18	9902999	SAMPLE COCK, LADISH 305A SIS 1/2" W/ CAPTIVE 13H HEX NUT
19	9902232	GASKET, 1 1/2" NEOPRENE
20		ESCUTCHEON PLATE 12 GA. 304 SIS #4/2B



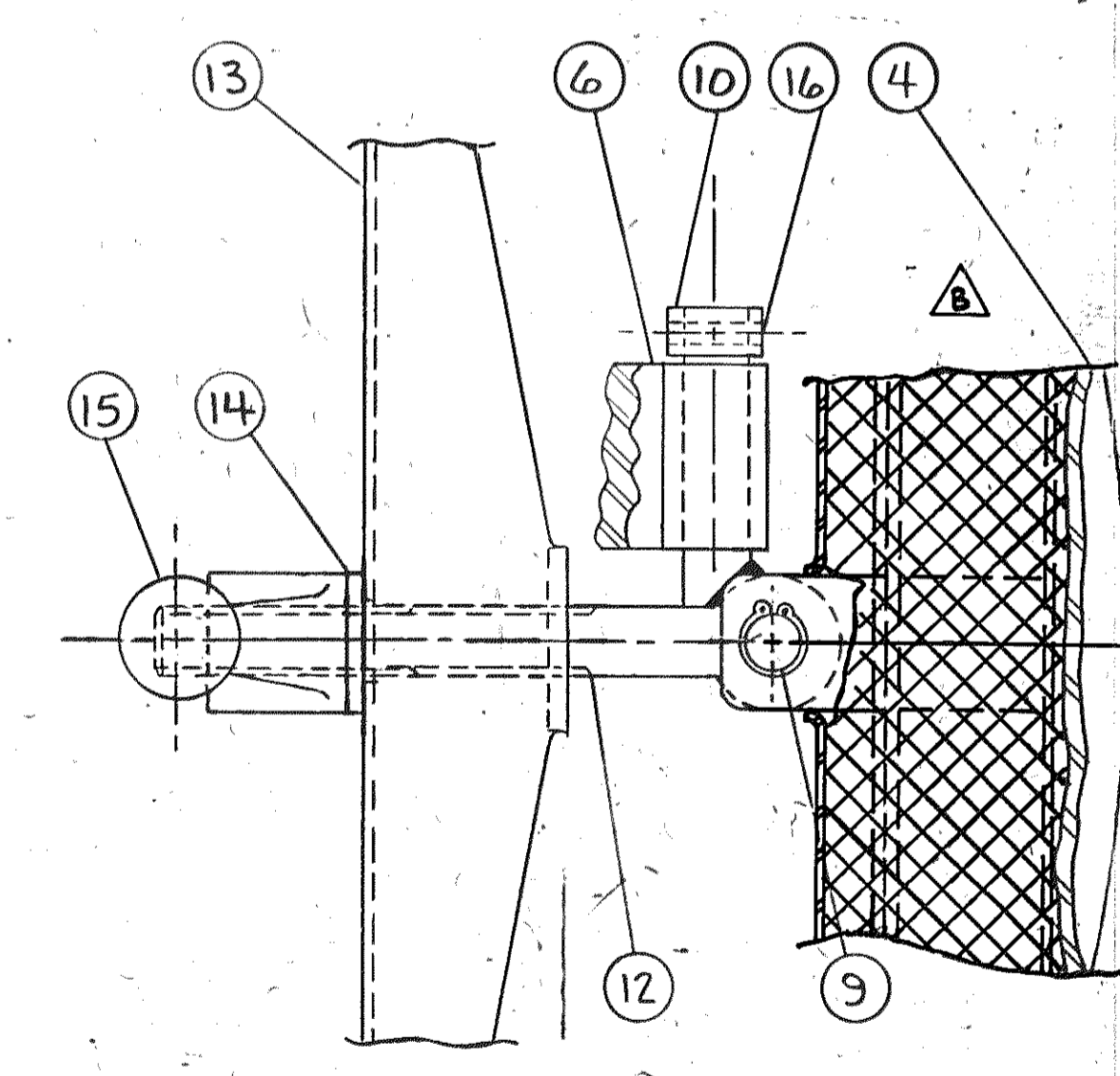
TOP VIEW
W/ COLLAR SHOWN CUT-AWAY



INSTALLATION FOR "SV-SILO TYPE TANK"



FRONT VIEW



SECTIONAL VIEW A-A

NOTES:

1. ALL EXPOSED WELDS TO BE GROUND FLUSH AND RIBBON POLISHED (IHW) UNLESS NOTED OTHERWISE ON TANK DRAWING.
2. RIGHT HAND MANWAY ASSY. W/ HINGE @ RIGHT IS AS SHOWN. USE DOOR # 980455D (DWG. 9800085-C). LEFT HAND MANWAY ASSY. W/ HINGE @ LEFT IS OPPOSITE OF SHOWN.
3. RATED @ 35 P.S.I.G. INCLUDING STATIC HEAD.
4. SV-SILO TYPE TANKS - USE SPECIAL 9901373-A UPPER LUG (EXCEPT 7 1/2" LG.) & SPECIAL 9901374-A LOWER LUG (EXCEPT 7 1/2" LG.)
- 5.
6. LOCATE HOLE IN ECCENTRIC ADJUSTMENT BUSHING (ITEM 7) AS SHOWN DURING INSTALLATION OF LUGS (ITEM 2 & 3). THIS HOLE LOCATION (AS SHOWN) WILL ALLOW MAXIMUM DOOR ADJUSTMENT.

MODEL TYPE MC-1

NON-A.S.M.E.
WITH SAMPLE COCK

NON-STANDARD

DECIMAL:				FRACTIONAL:				ANGULAR:			
DATE	BY	CHKD	APP'D	DATE	BY	CHKD	APP'D	DATE	BY	CHKD	APP'D
1-7-80	WB	WB	WB	1-11-80	WB	WB	WB				
DRAWN BY: S. FORSTER				CHECKED BY: LOWRANCE				SCALE: HALF			
DATE: 1-7-80				DATE: 1-11-80				SCALE: 15% X 20%			
TITLE: MANWAY ASSEMBLY				INSULATED				DP03265 - D			

9900894D 9901717-D DP03265-D

