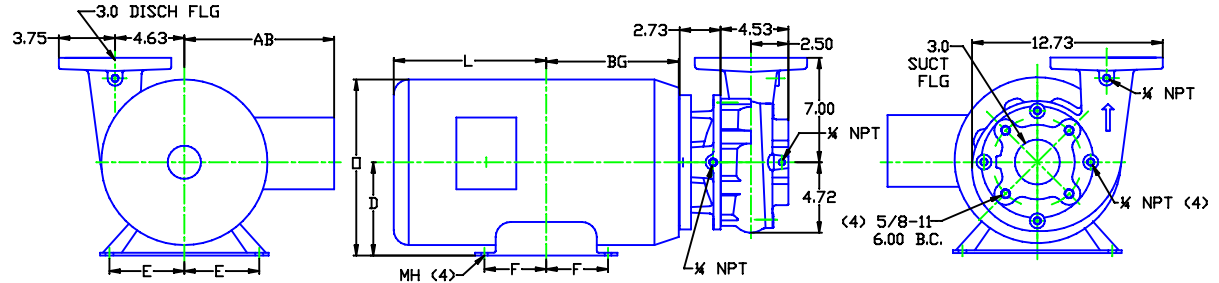


MOTOR DIMENSIONS

NEMA PREMIUM EFFICIENT JM FRAME 3 PHASE 3500 RPM

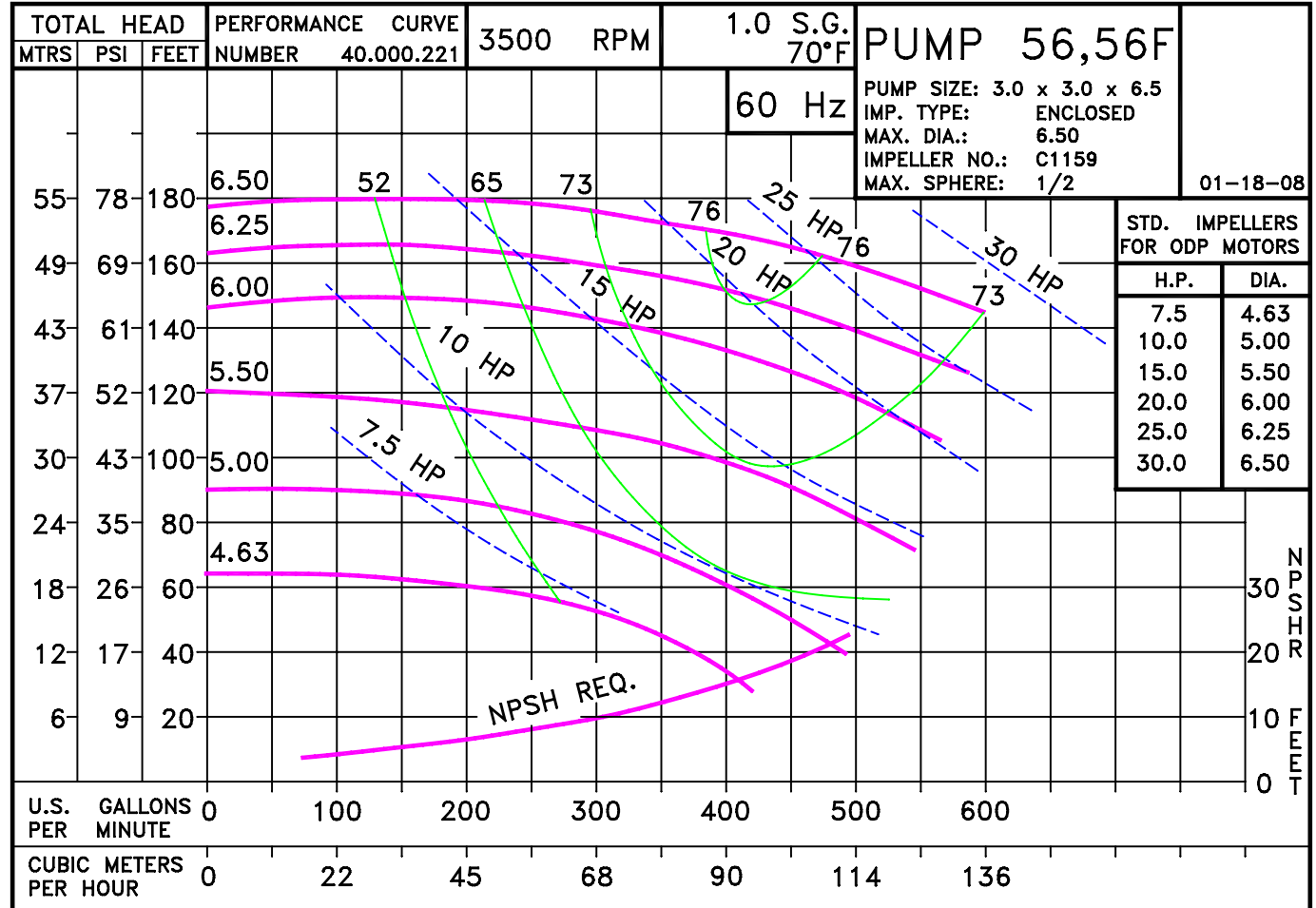
HP	Type	Frame	D	E	F	O	AB	BG	L	MH
7.5	ODP	JM184	4.50	3.75	2.25	8.44	6.74	5.75	6.56	.41
10	ODP	JM213	5.25	4.25	2.75	10.03	7.92	7.00	6.94	.43
15	ODP	JM215	5.25	4.25	3.50	10.03	7.92	7.75	6.19	.43
20	ODP	JM254	6.25	5.00	4.13	12.00	9.49	8.88	9.06	.53
25	ODP	JM256	6.25	5.00	5.00	12.00	9.49	9.75	8.19	.53
30	ODP	JM284	6.97	5.50	5.50	13.59	11.37	10.25	10.81	.53
5, 7.5	TEFC	JM184	4.50	3.75	2.75	9.34	7.57	5.51	7.64	.41
10, 15	TEFC	JM215	5.25	4.25	3.50	10.37	8.19	6.77	9.16	.41
20, 25	TEFC	JM256	6.25	5.00	5.00	12.76	10.48	9.01	11.70	.53
30	TEFC	JM286	7.00	5.50	5.50	14.11	11.07	10.02	13.04	.53

D056FJM254 DRAWING DEPICTS JM254 20HP ODP MOTOR



ALL DIMENSIONS IN INCHES.

DRAWING REPRESENTS APPROXIMATE PUMP DIMENSIONS. AUTOCAD DRAWING TO SCALE AVAILABLE FROM FACTORY.



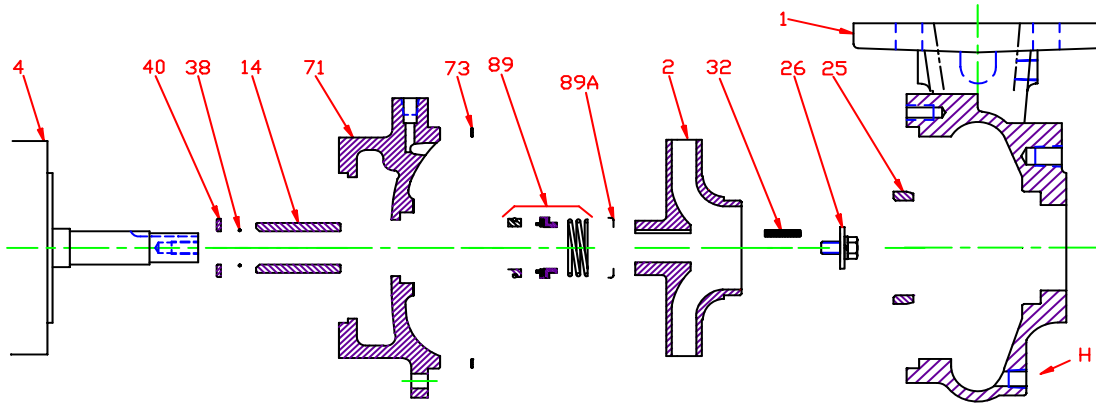
056F10TE

D056FJM254
0563500

56F JM

056F3500JM
81.000.912A M16

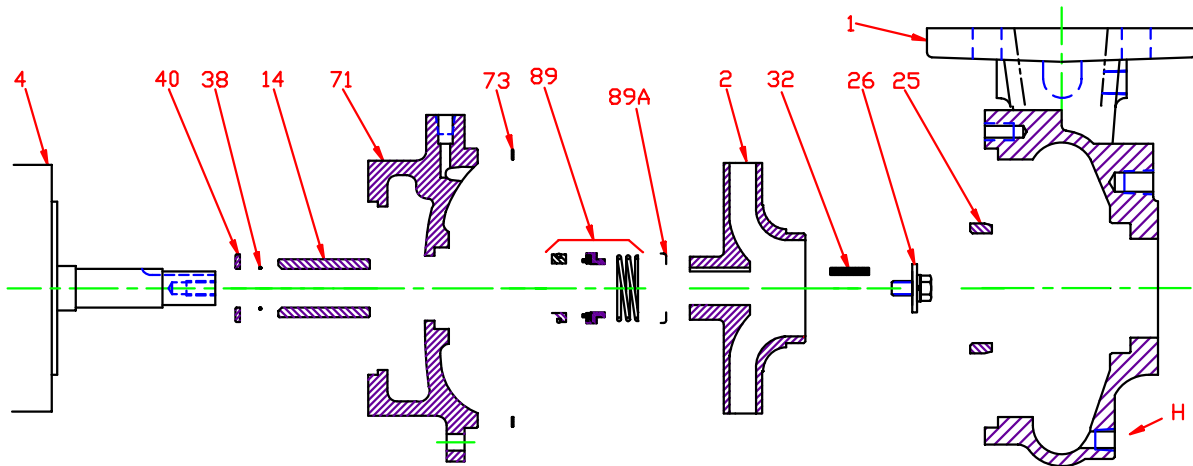
Pump 56F • Iron • JM Frame • 3500 RPM



KEY NO.	PART NAME	PUMP NO. 56F	
		7.5 - 15 HP	20 - 30 HP
1+	CASE, IRON, 3 x 3 FLG	130.000.185X	130.000.185X
2	IMPELLER, ENCLOSED, SPECIFY DIAMETER:	7/8" KEYED	1 1/4" KEYED
	IRON	131.000.809	131.000.824
	BRONZE	137.000.108	137.000.109
4	MOTOR, JM140/180	See Chart	--
	MOTOR, JM210	See Chart	--
	MOTOR, JM250	--	See Chart
	MOTOR, JM280/320	--	See Chart
14*	SHAFT SLEEVE, BRONZE	110.000.178	110.000.248
	SHAFT SLEEVE, STAINLESS	110.000.192	110.000.261
25	WEAR RING, BRONZE	103.000.138	103.000.138
	WEAR RING, STEEL	103.000.152	103.000.152
26*	IMPELLER RETAINER, STAINLESS	118.000.163A	118.000.234
32*	KEY, STAINLESS	102.000.102	102.000.208
38*	O-RING, SHAFT, BUNA	116.000.117	116.000.218
	O-RING, SHAFT, VITON	116.000.105	116.000.218A
40*	FLINGER, STAINLESS	104.000.165	104.000.200
71	ADAPTER, IRON - JM140/180	132.000.202X	--
	ADAPTER, IRON - JM210	132.000.213X	--
	ADAPTER, IRON - JM250	--	132.000.245X
	ADAPTER, IRON - JM280/320	--	132.000.246X
73*	GASKET, CASE, FIBER	116.000.157	116.000.157
89*	SEALS:	1 1/2"	1 3/4"
	BN-CARB/CM	101.000.168	101.000.196
	VN-CARB/CM	101.000.191	101.000.216
	VN-CARB/SIL	101.000.175	101.000.221
	VN-SIL/SIL	101.000.204	101.000.231
	EPDM-CARB/SIL	101.000.175B	101.000.196B
	EPDM-SIL/SIL	101.000.204A	137.001.555
89A*	SEAL RETAINER, STAINLESS	104.000.174	<i>Included w/seal</i>
--	° REPAIR KITS:		
	BN-CARB/CM SEAL	118.000.344	118.000.345
	VN-CARB/CM SEAL (S)	118.000.344A	118.000.345A
	VN-CARB/CM SEAL	118.000.344K	118.000.345E
	VN-CARB/SIL SEAL	118.000.344B	118.000.345B
	VN-SILSIL SEAL (S)	118.000.344F	118.000.345C
	EPDM-CARB/SIL SEAL	118.000.344C	118.000.345F
EPDM-SIL/SIL SEAL	118.000.344D	118.000.345G	

* DENOTES COMPONENTS INCLUDED IN REPAIR KIT.
 + INCLUDES BRONZE WEAR RING. FOR STEEL WEAR RING, REPLACE SUFFIX "X" WITH "X1".
 ° ALL REPAIR KITS INCLUDE THE BRONZE SHAFT SLEEVE EXCEPT THE (S) INDICATED, WHICH IS STAINLESS WITH VITON SHAFT O-RING.

Pump 56F • Iron • JM Frame • 3500 RPM



CONSTRUCTION OPTIONS

KEY	PART NAME	STANDARD FITTED	BRONZE FITTED	ALL IRON
1	Case	Iron	Iron	Iron
2	Impeller	Iron	Bronze	Iron
14	Shaft Sleeve	Bronze	Bronze	Stainless
25	Wear Ring	Bronze	Bronze	Steel
26	Impeller Retaining Assy	Stainless	Stainless	Stainless
32	Key	Stainless	Stainless	Stainless
38	Shaft O-Ring	BUNA	BUNA	BUNA
40	Flinger	Stainless	Stainless	Stainless
71	Adapter	Iron	Iron	Iron
73	Gasket, Case	Fiber	Fiber	Fiber
89	Mechanical Seal, Type 21 BN-CM	Standard	Standard	Standard
89A*	Seal Spring Retainer	Stainless	Stainless	Stainless
H	Plug, Drain	Brass	Brass	Plated Steel

* Included with seal on 20-25 HP

E054FJM

E11

C056F3500JM