

Cherry Burrell Stellar-Flo Pump

Mfg: Cherry Burrell

Model: S-3

Stock No. OIP065.

Serial No. 268037

Cherry Burrell Stellar-Flo Pump. Model: S-3. 1 in. dia. plungers. 3000 psi. Tapered seat poppet valve cylinders. Maximum capacity: 120 gph. S/N: 268037. Series: 200. Elektrim Motor, 5 hp, 1720 rpm, 230/460 V, 13.0/6.5 amps, 60 Hz, 3 phase. Inlets: (1) 1-1/2 in. dia. male ferrule. Outlets: (1) 1/2 in. dia. threaded fitting. Overall dimensions: 36 in. L x 24 in. W x 45 in. H.

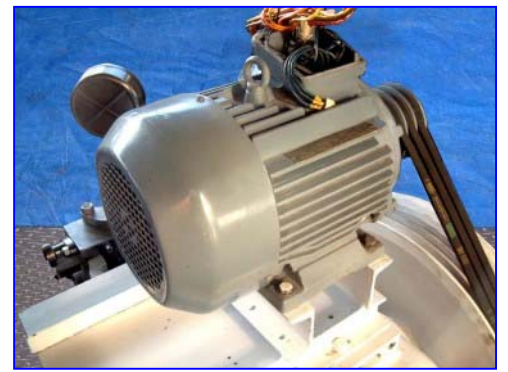
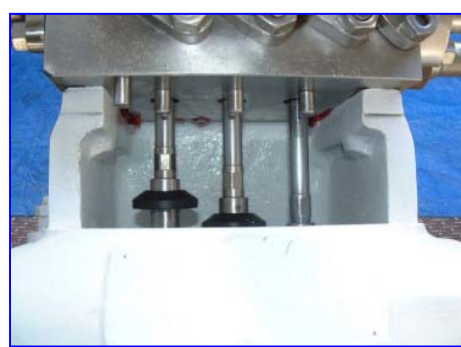
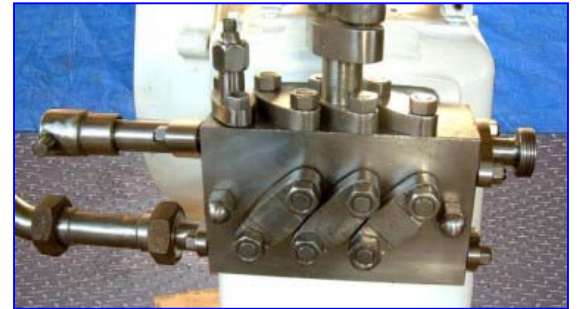


FIGURE 9 - EXPLODED VIEW

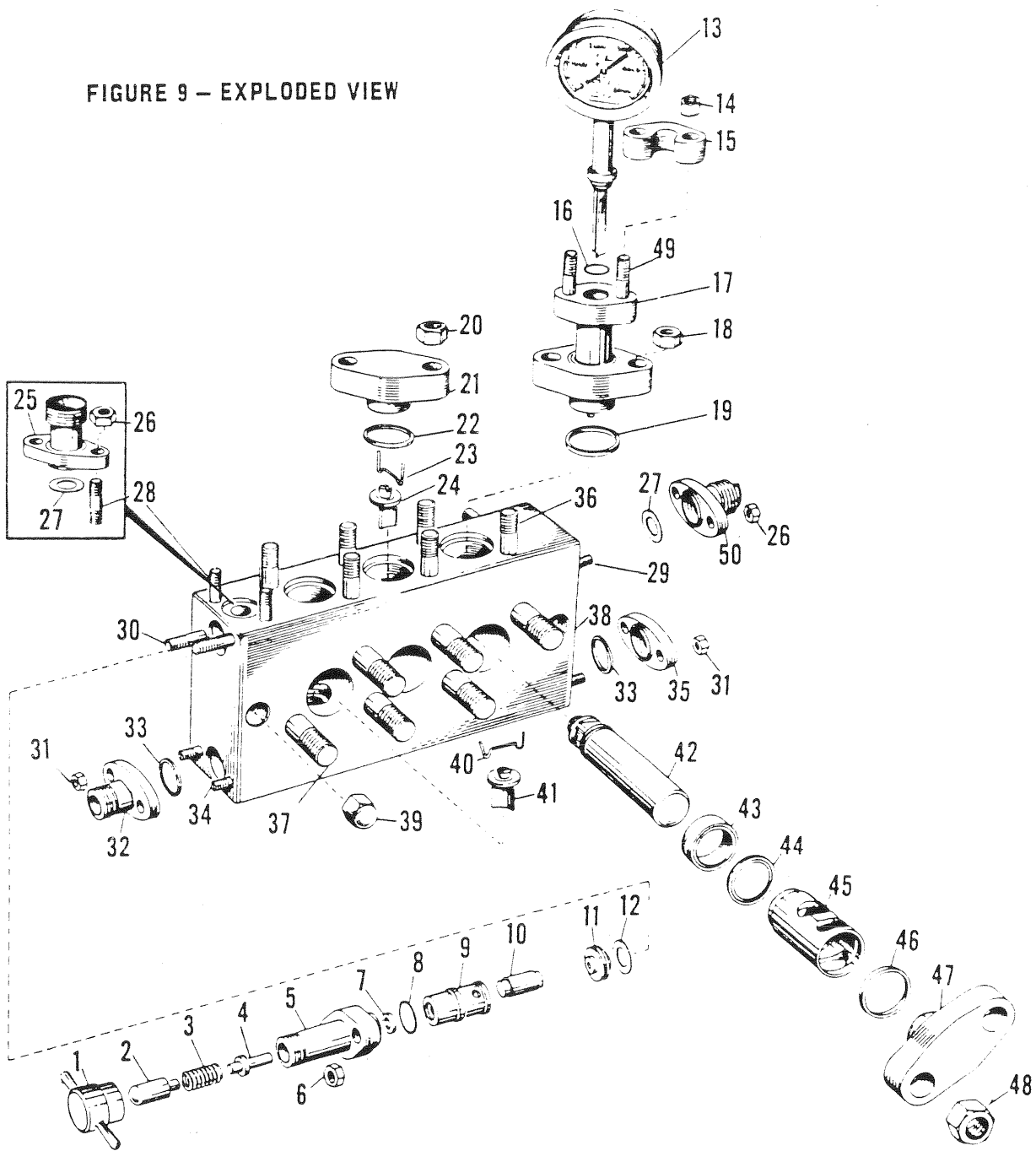


FIGURE 10 - PARTS LIST FOR DRIVE ASSEMBLY

Index No.	Description	Part No.	Quant.
1	Cap - Extension and Bearing	7476	1
2	Cap Screw	7475	12
3	Seal - Drive Shaft Oil	37003	1
4	Bearing - Timken	453-A-463	2
5	Eccentric	7478	1
6	Deflector - Oil	7505	1
7	Cap - Outer End Bearing	7477	1
8	Rod - Connecting, Complete with Bushing, Nuts and Bolts	7479	1
9	⊕ Bolt - Connecting Rod	7480	2
10	⊕ Castle Nut - 3/8"-24		2
11	Bushing - Connecting Rod	7481	1
12	Crosshead - Complete with Set Screw and Hex Nut	7482	1
13	⌘ Set Screw and Hex Nut	7507	1
14	Wrist Pin	7483	1
15	Stub - Plunger	7484	3
16	Pin - Plunger Stub	7485	3
17	Seal - Plunger Stub Seal	37044	6
18	Plate - Plunger Stub Seal	7486	1
19	Cap Screw - Hex Nut		4
20	Flinger - Water	7487	3
*	Foot - Adjustable	7488	4
*	Gauge - Oil, Gits No. 4031	7489	1

* Indicates part not illustrated.

⊕ Indicates also furnished with connecting rod (Index No. 8)

⌘ Indicates also furnished with crosshead (Index No. 12).

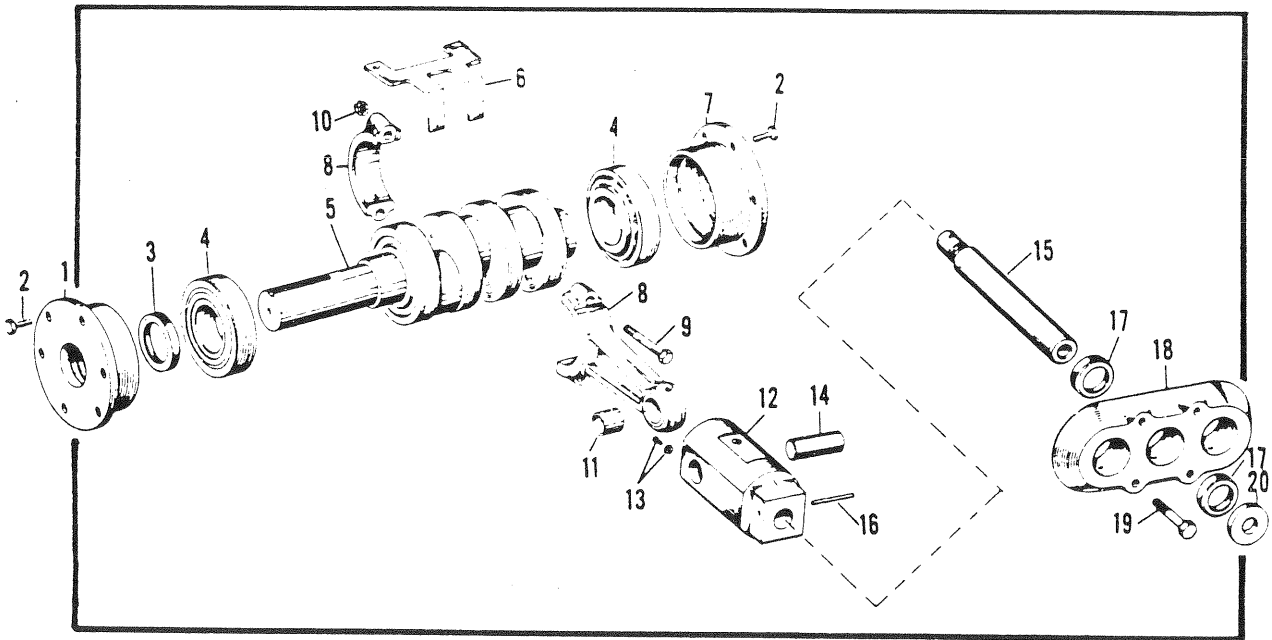


FIGURE 9 - PARTS LIST FOR CYLINDER BLOCK ASSEMBLY

Index No.	Description	Part No.	Quant.
<u>PRESSURE RELIEF VALVE</u>			
1	Handle - Valve Regulating	7400	1
2	Stem - Valve, Upper	7401	1
3	Spring - Homogenizing Valve	7402	1
4	Stem - Valve, Lower	7403	1
5	Bonnet - Valve	7405	1
6	Hex Nut	7406	2
7	● Gasket - Lower Valve Stem, Rubber	37081	1
8	● Gasket - Valve Adapter, Rubber	37078	1
9	Adapter - Valve	7413	1
10	Plug - Valve, Reversible	7409-A	1
11	Seat - Valve, Reversible	7410	1
12	Gasket - Valve Seat, Bakelite	37080	1
<u>CYLINDER BLOCK PARTS</u>			
13	Gauge - Volumetric Pressure, Sanitary	37112	1
14	Hex Nut	7324	2
15	Flange - Gauge Well	7190	1
16	● Gasket - Gauge Well	36966	1
17	Well - Gauge	7450	1
18	Hex Nut	7181	2
19	● Gasket - Discharge Valve Cover	37077	1
20	Hex Nut	7324	4
21	Cover - Discharge Valve	7452	2
22	● Gasket - Discharge Valve Cover	37077	2
23	Spring - Discharge Valve	7503	3
24	Valve - Discharge	7453	3
25	Connection - Relief Valve Discharge	7744	1
26	Hex Nut	7406	2
27	● Gasket - Discharge Connection	37080	1
28	Stud - Discharge Connection, Short	7421	2
29	Stud - Discharge Fitting	8033	2
30	Stud - Pressure Relief Valve	7423	2
31	Hex Nut	7406	1
32	Suction Fitting	7475	1
33	● Gasket - Blank & Suction Connection Flange	37079	2
34	Stud - Blank & Suction Connection Flange	7421	4
35	Blank Flange - Suction Connection	7454	1
36	Stud - Discharge Valve Cover	7457	6
37	Stud - Plunger Port Cover	7458	6
38	Block - Cylinder	7985	1
39	Cap Nut - Special	7460	2
40	Spring - Suction Valve	7503	3
41	Valve - Suction	7453	3
42	Plunger - 5/8" Diameter	7823	3
43	Throat - Plunger	7464	3
44	● Seal - "Vee"	37082	3
45	Sleeve - Cylinder	7470	3
46	● Gasket - Plunger Port	37077	3
47	Cover - Plunger Port	7473	3
48	Hex Nut - Special	7415	6
49	Stud for Gauge Flange	7201	2
50	Connection, Discharge	7988	1

● Indicates limited life part. On-Hand spares recommended.