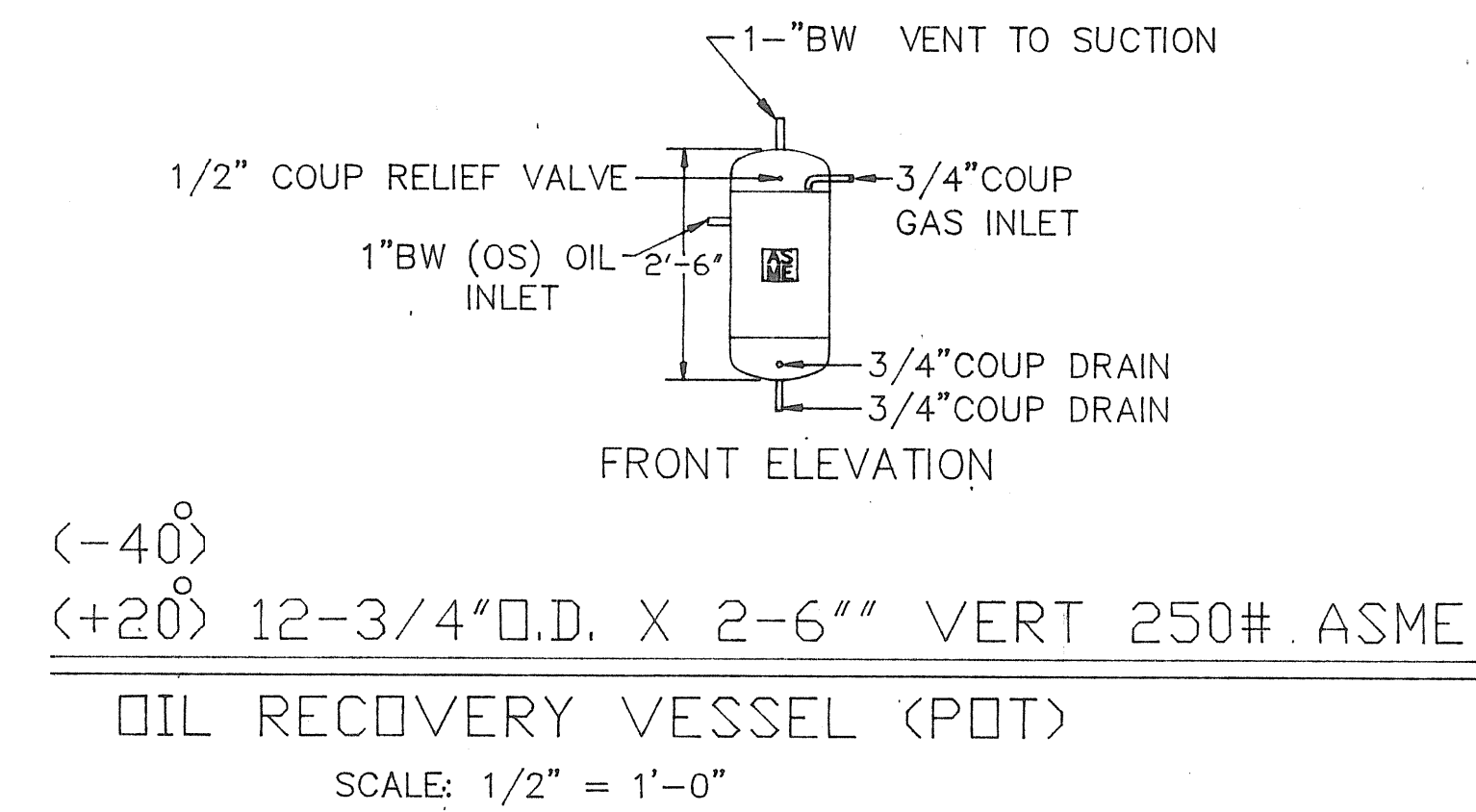
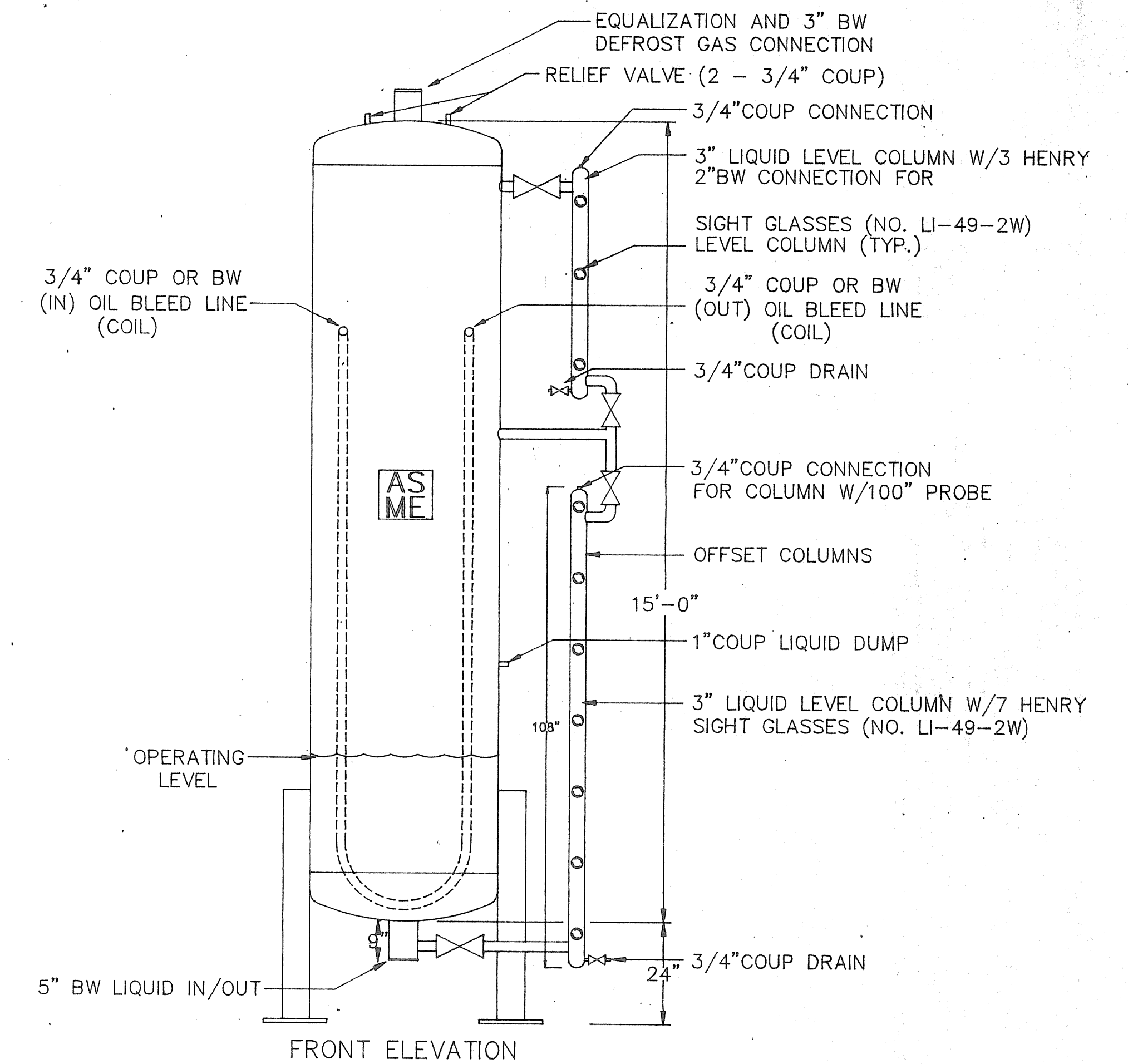


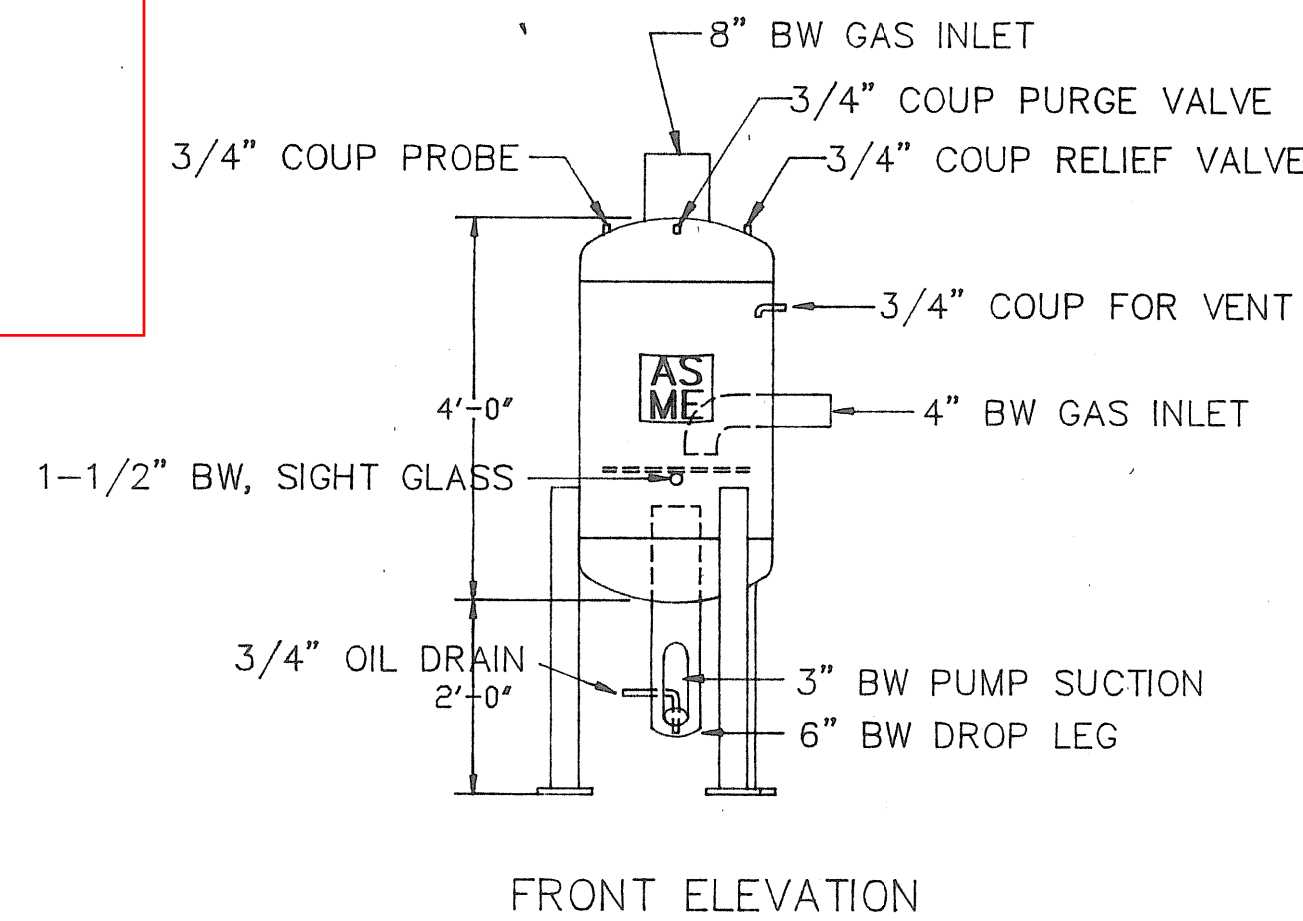
(-40) 60" O.D. X 12'-0" VERT 250# ASME
 PUMP LIQUID RECIRCULATION VESSEL
 SCALE: 1/2" = 1'-0"



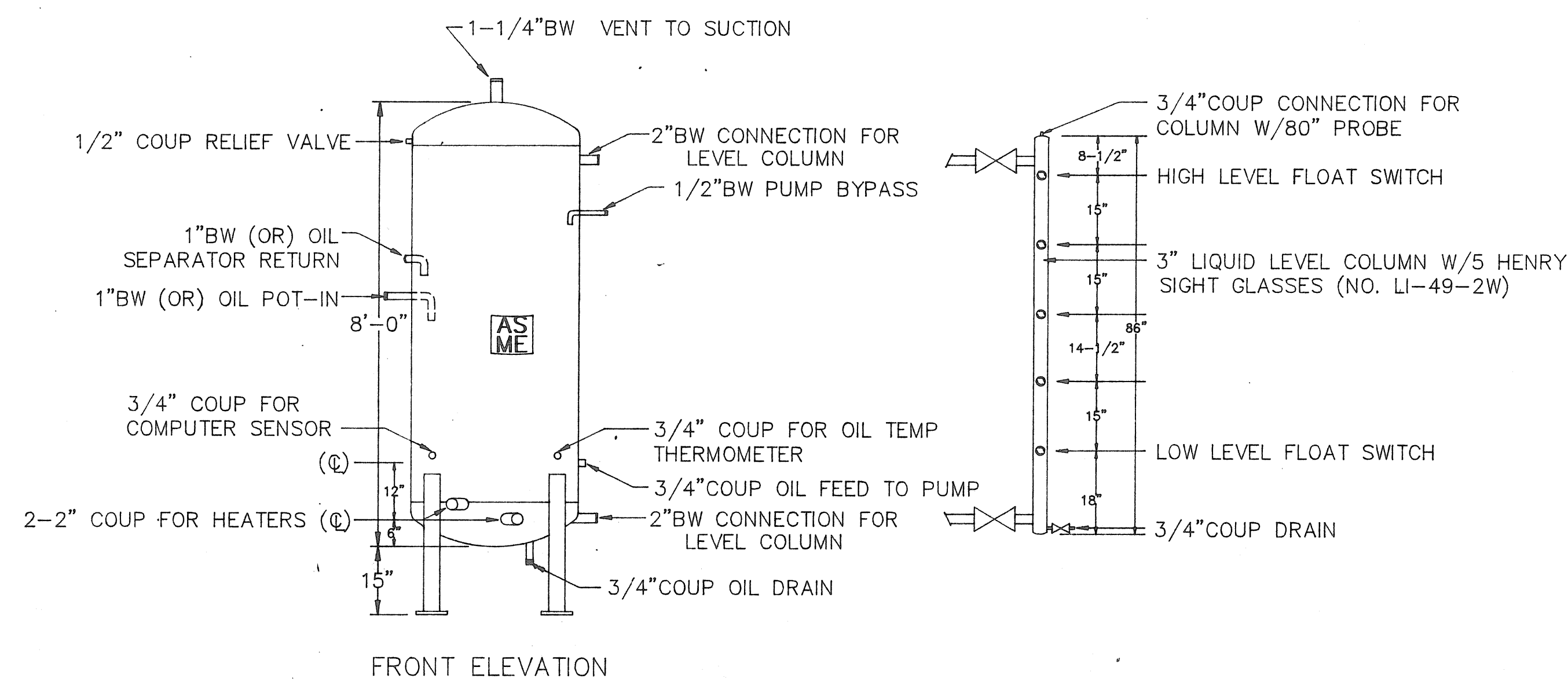
(-40)
 (+20) 12-3/4" O.D. X 2'-6" VERT 250# ASME
 OIL RECOVERY VESSEL (POT)
 SCALE: 1/2" = 1'-0"



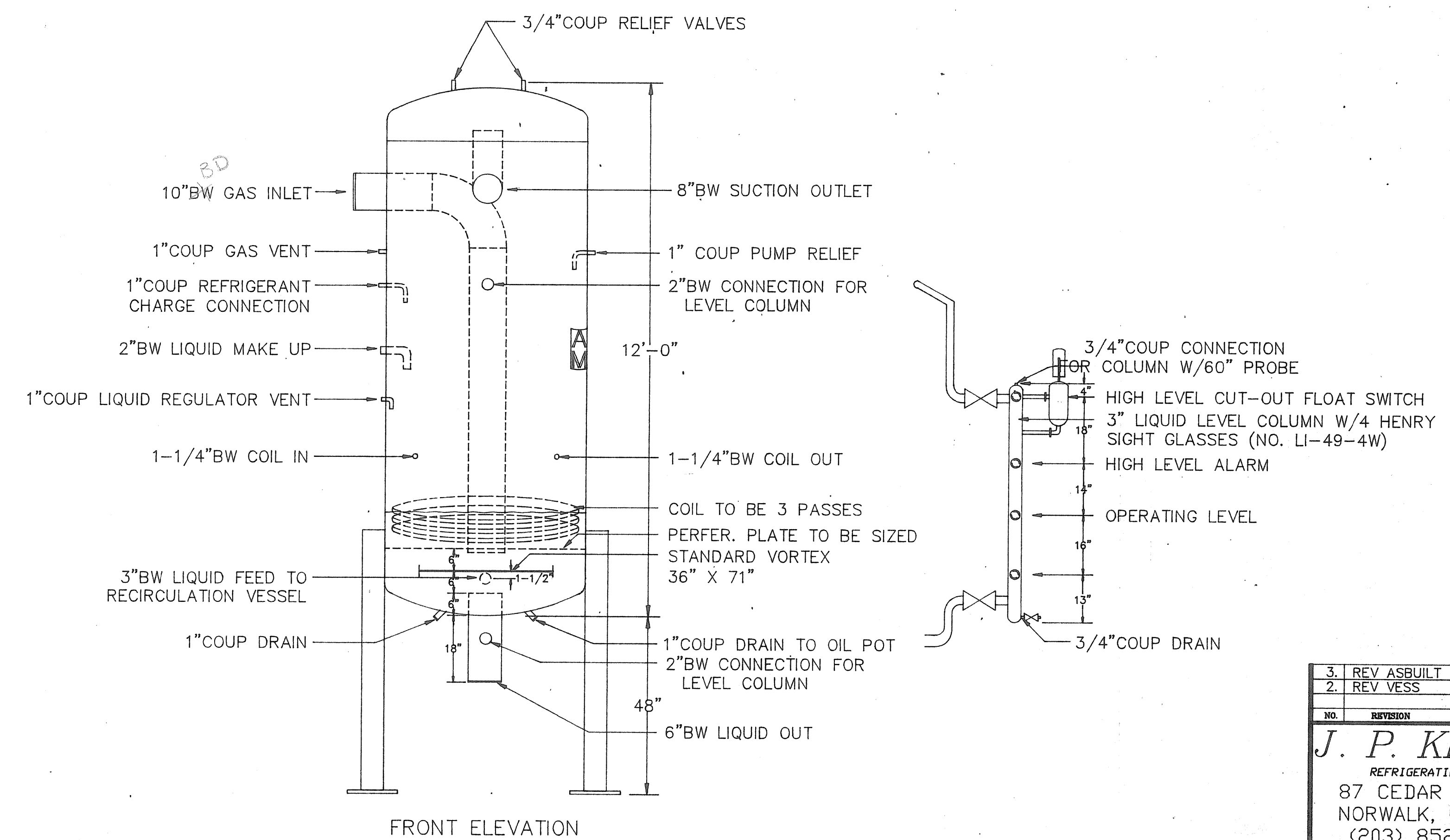
(+93) 42" O.D. X 15'-0" VERT 250# ASME
 HIGH PRESSURE RECEIVER VESSEL
 SCALE: 1/2" = 1'-0"



24" O.D. X 4'-0" VERT 150# ASME
 TRANSFER VESSEL
 SCALE: 1/2" = 1'-0"



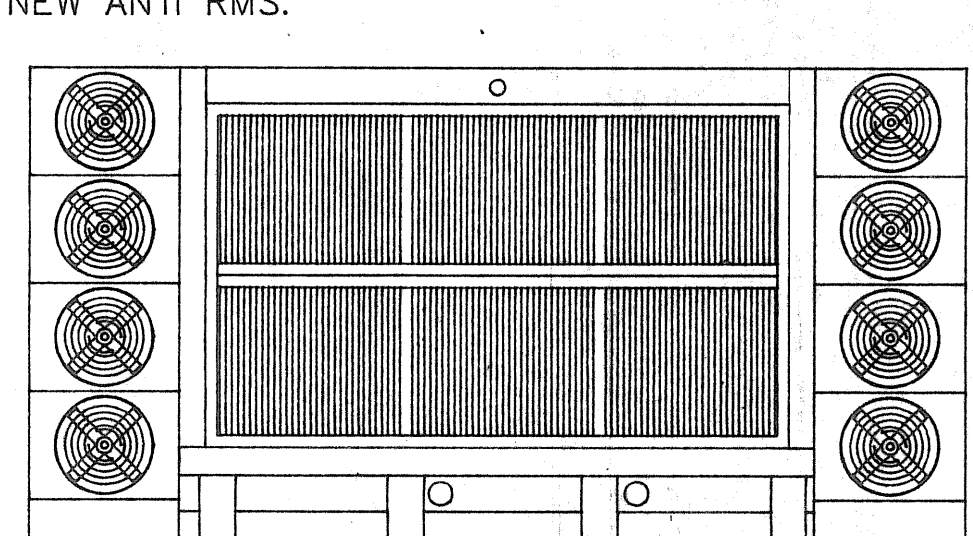
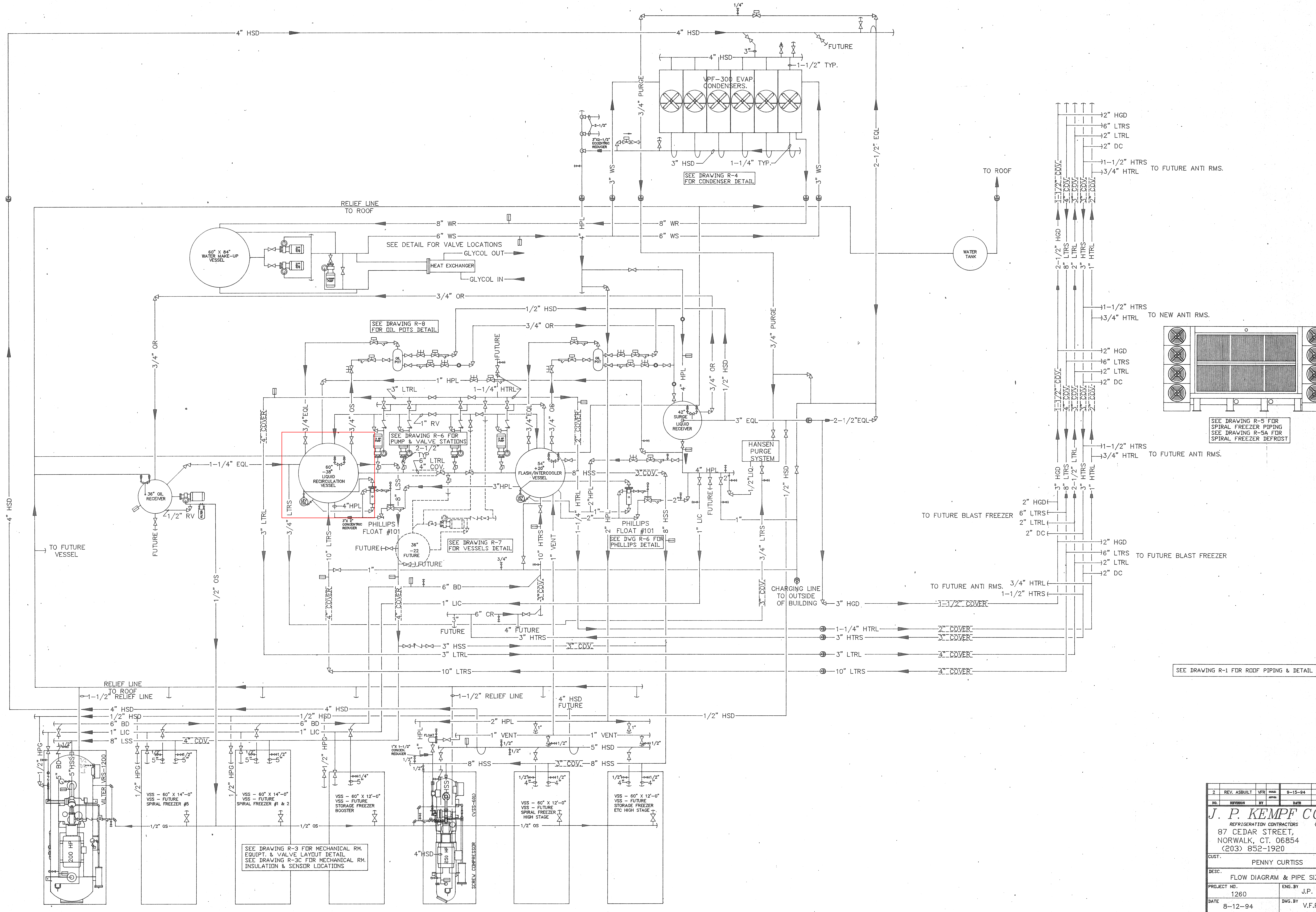
(+90) 36" O.D. X 8'-0" VERT 250# ASME
 OIL RECOVERY RECEIVER VESSEL
 SCALE: 1/2" = 1'-0"



(+20) 54" O.D. X 12'-0" VERT. 250# ASME
 FLASH/INTERCOOLER/RECIRCULATION VESSEL
 SCALE: 1/2" = 1'-0"

3. REV. ASSULT	VERI	9-15-94	JPKEMPF JR
2. REV. VESS	VR	3-1-94	JPKEMPF JR
NO.	REVISION	BY	DATE
J. P. KEMPF CO. REFRIGERATION CONTRACTORS 87 CEDAR STREET, NORWALK, CT. 06854 (203) 852-1920			
CUST.	PENNY CURTISS		
DESC.	PRESSURE VESSELS DETAIL		
PROJECT NO.	1260	ENG. BY	J.P. KEMPF
DATE	3-1-94	DWG. BY	V.F.R.
SCALE	1/2" = 1'-0"	DRAWING NO.	
FILE NAME	PEN-VES		

R-7



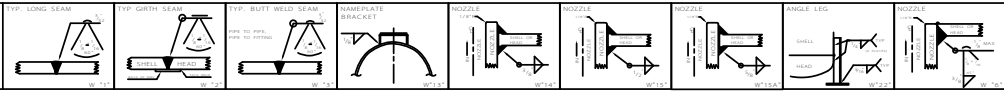
SEE DRAWING R-5 FOR SPIRAL FREEZER PIPING
SEE DRAWING R-5A FOR SPIRAL FREEZER DEFFROST

SEE DRAWING R-1 FOR ROOF PIPING & DETAIL

2	REV. ASBULT	VFR	9-15-94	J.P. KEMPF JR.
J. P. KEMPF CO. REFRIGERATION CONTRACTORS 87 CEDAR STREET, NORWALK, CT. 06854 (203) 852-1920				
CUST. PENNY CURTISS				
DESC. FLOW DIAGRAM & PIPE SIZING				
PROJECT NO.	1260			
DATE	8-12-94	ENG. BY	J.P. KEMPF	
SCALE	NONE	DWG. BY	V.F.R.	
FILE NAME	PEN-FLOW			
		DRAWING NO.	R-2	

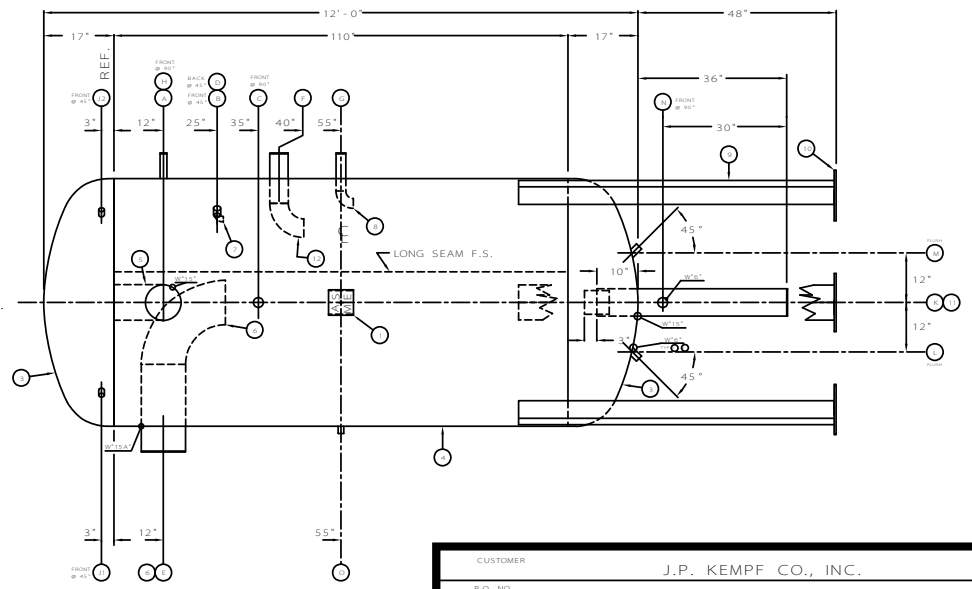
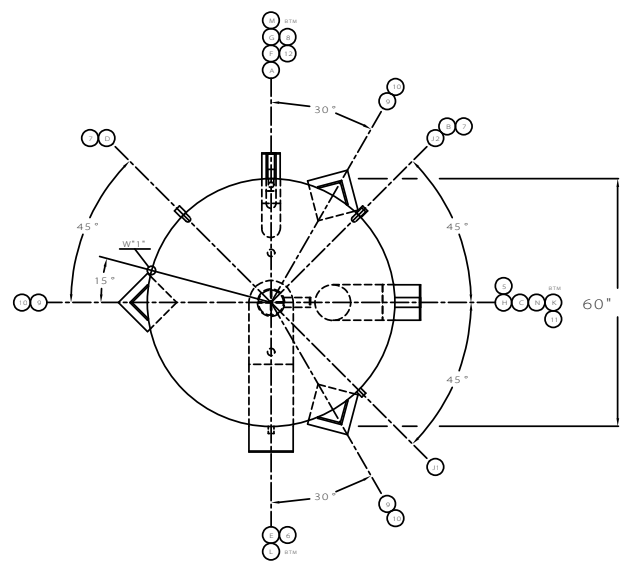
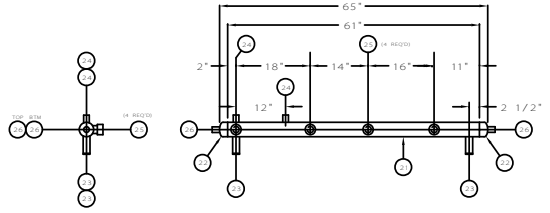
GENERAL NOTES

1. ALL PIPE NOZZLES EXTEND 6" OUTSIDE UNLESS INDICATED OTHERWISE.
2. ALL WELDS: WPS 109, 1002, 1005, 2002, AND 4004 APPLY UNLESS INDICATED OTHERWISE.
3. SA516-70 MAY BE SUBSTITUTED FOR SA36.
4. SA516 PIPE MAY BE SUBSTITUTED FOR SA516 SEAMLESS AND VICE VERSA.
5. ALL BOLT HOLES STRIKE CENTERLINE.



#4 LEVEL COLUMN

21	2	4" x 8"	PLATE	10-00	SA36
22	2	2"	PIPE SAE	17-00	SA192 RTJ
23	2	2"	PIPE	17-00	SA192B
24	2	2"	PIPE	20-00	SA192B
25	4	1/2"	LEVEL INDICATOR	10-12	SA192B
26	2	3/4"	PIPE	20-00	SA192B



CUSTOMER: **J.P. KEMPF CO., INC.**
 P.O. NO.: **6190**

TEST WITH OIL

ASME DATA PLATE

DUAL STAMP

MAINT 250 RE 300
 400 RE A 100
 94279 1994

BILL OF MATERIALS

NOZZLE SCHEDULE										SHELL HEADS, INTERNALS, SUPPORTS									
ID	OD	WT	TYPE	GRADE	LENGTH	TYR	QTY	UNIT	REMARKS	ID	OD	WT	TYPE	GRADE	LENGTH	TYR	QTY	UNIT	REMARKS
1	60	12	250#	SA516-70	120	1	1	PC	NOZZLE	1	60	12	250#	SA516-70	120	1	1	PC	NOZZLE
2	60	12	250#	SA516-70	120	1	1	PC	NOZZLE	2	60	12	250#	SA516-70	120	1	1	PC	NOZZLE
3	60	12	250#	SA516-70	120	1	1	PC	NOZZLE	3	60	12	250#	SA516-70	120	1	1	PC	NOZZLE
4	60	12	250#	SA516-70	120	1	1	PC	NOZZLE	4	60	12	250#	SA516-70	120	1	1	PC	NOZZLE
5	60	12	250#	SA516-70	120	1	1	PC	NOZZLE	5	60	12	250#	SA516-70	120	1	1	PC	NOZZLE
6	60	12	250#	SA516-70	120	1	1	PC	NOZZLE	6	60	12	250#	SA516-70	120	1	1	PC	NOZZLE
7	60	12	250#	SA516-70	120	1	1	PC	NOZZLE	7	60	12	250#	SA516-70	120	1	1	PC	NOZZLE
8	60	12	250#	SA516-70	120	1	1	PC	NOZZLE	8	60	12	250#	SA516-70	120	1	1	PC	NOZZLE
9	60	12	250#	SA516-70	120	1	1	PC	NOZZLE	9	60	12	250#	SA516-70	120	1	1	PC	NOZZLE
10	60	12	250#	SA516-70	120	1	1	PC	NOZZLE	10	60	12	250#	SA516-70	120	1	1	PC	NOZZLE
11	60	12	250#	SA516-70	120	1	1	PC	NOZZLE	11	60	12	250#	SA516-70	120	1	1	PC	NOZZLE
12	60	12	250#	SA516-70	120	1	1	PC	NOZZLE	12	60	12	250#	SA516-70	120	1	1	PC	NOZZLE
13	60	12	250#	SA516-70	120	1	1	PC	NOZZLE	13	60	12	250#	SA516-70	120	1	1	PC	NOZZLE
14	60	12	250#	SA516-70	120	1	1	PC	NOZZLE	14	60	12	250#	SA516-70	120	1	1	PC	NOZZLE
15	60	12	250#	SA516-70	120	1	1	PC	NOZZLE	15	60	12	250#	SA516-70	120	1	1	PC	NOZZLE
16	60	12	250#	SA516-70	120	1	1	PC	NOZZLE	16	60	12	250#	SA516-70	120	1	1	PC	NOZZLE
17	60	12	250#	SA516-70	120	1	1	PC	NOZZLE	17	60	12	250#	SA516-70	120	1	1	PC	NOZZLE
18	60	12	250#	SA516-70	120	1	1	PC	NOZZLE	18	60	12	250#	SA516-70	120	1	1	PC	NOZZLE
19	60	12	250#	SA516-70	120	1	1	PC	NOZZLE	19	60	12	250#	SA516-70	120	1	1	PC	NOZZLE
20	60	12	250#	SA516-70	120	1	1	PC	NOZZLE	20	60	12	250#	SA516-70	120	1	1	PC	NOZZLE

VESSEL DESIGN SPECIFICATIONS

DESIGN & CONSTRUCTION IN ACCORDANCE WITH SECTION VIII, DIV. 1 ASME CODE FOR PRESSURE VESSELS - 1992 EDITION & ADDENDUM 1-93

NO. DATE BY REVISION DESCRIPTION

1 1/21/94 WMH 100% F.C.D.

TITLE: **60" O.D. x 12'-0" VERT 250# ASME PUMP LIQUID RECIRCULATION VESSEL**

DESIGNED BY: WMH
 CHECKED BY: WMH
 DRAWN BY: WMH
 SERIAL NO.: 94279
 SCALE: 1" = 1'-0"
 DATE: 2/28/1994
 DRAWING NO.: Rev2 L0093 - 3