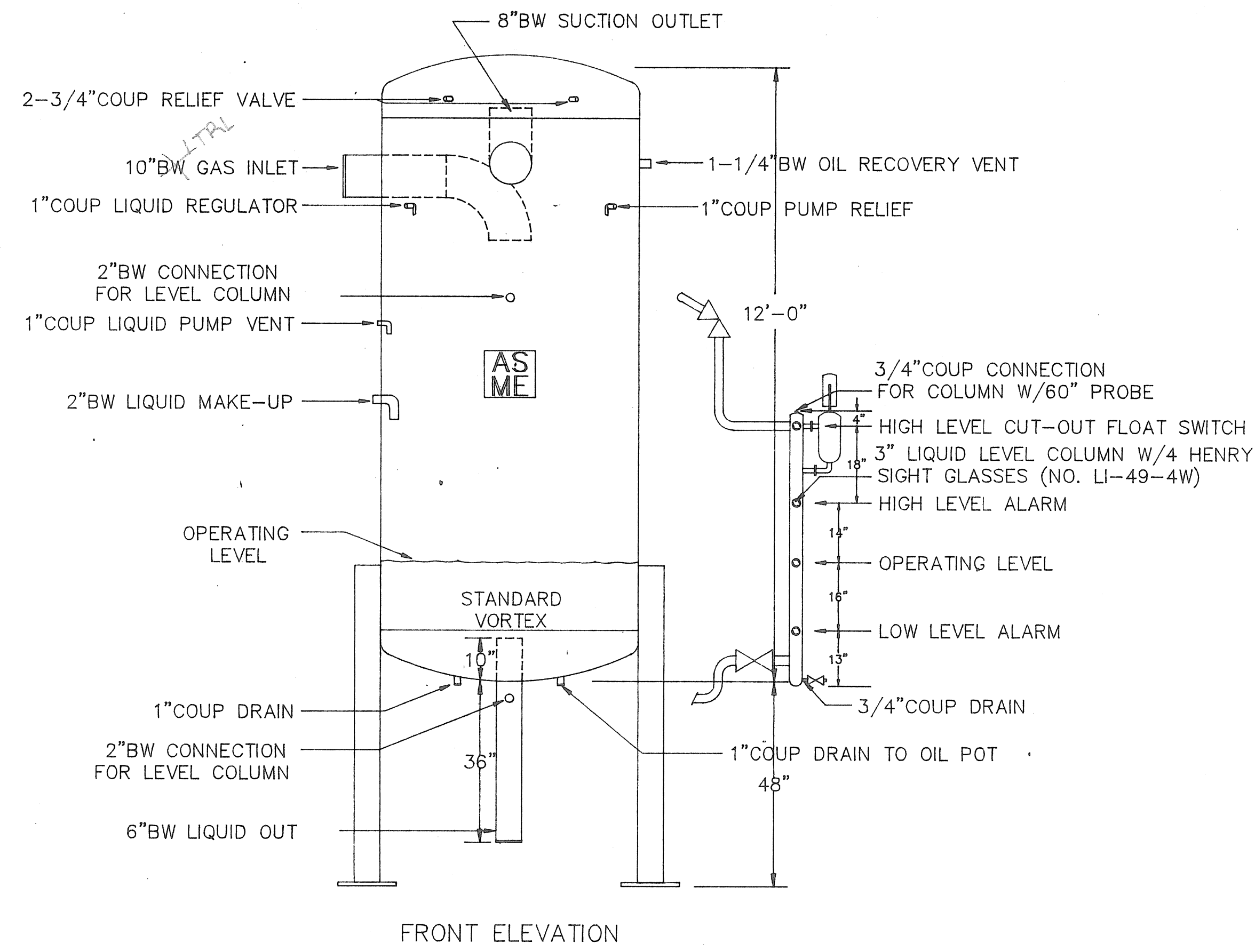


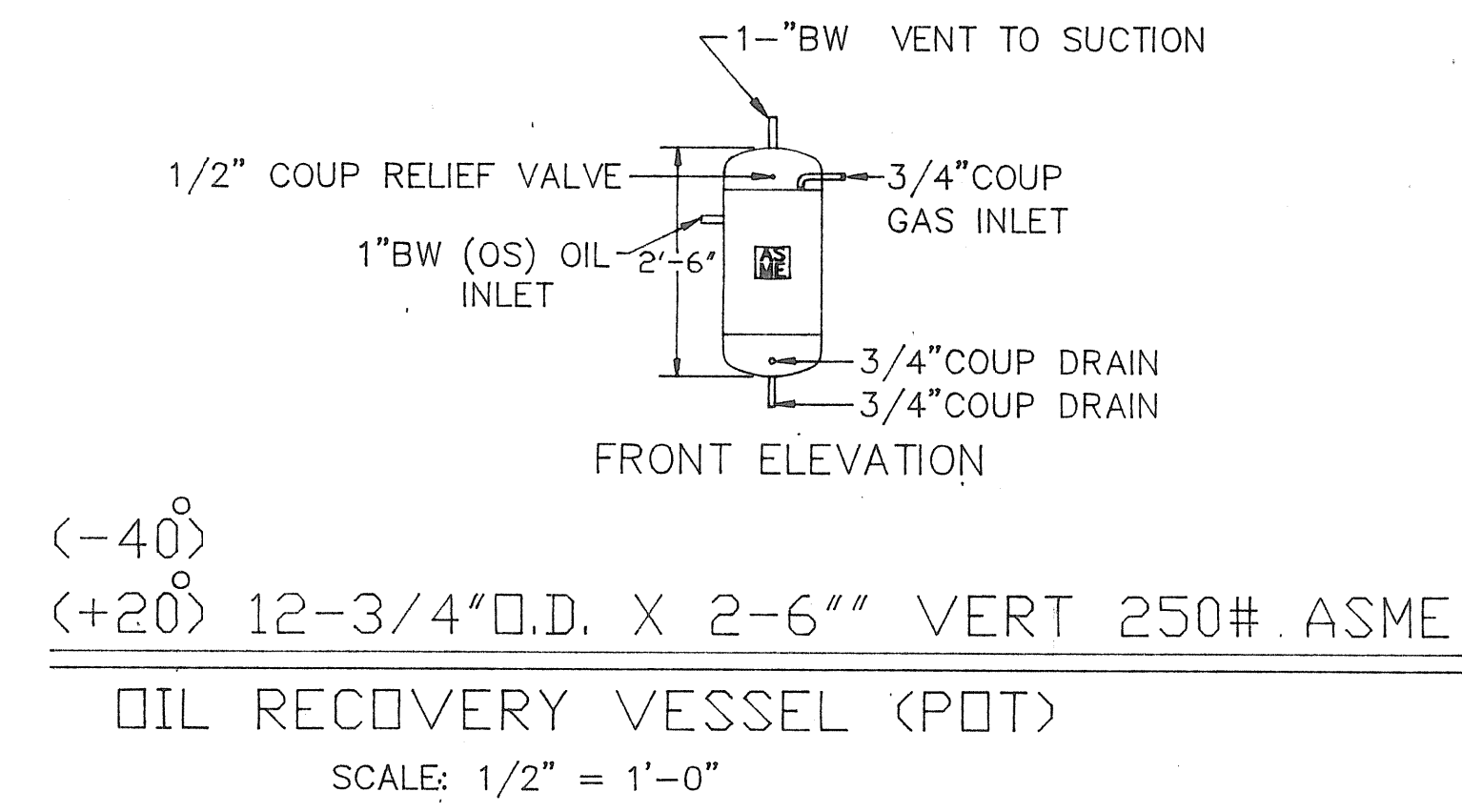
SEE DRAWING R-5 FOR SPIRAL FREEZER PIPING
SEE DRAWING R-5A FOR SPIRAL FREEZER DEFRUST

SEE DRAWING R-1 FOR ROOF PIPING & DETAIL

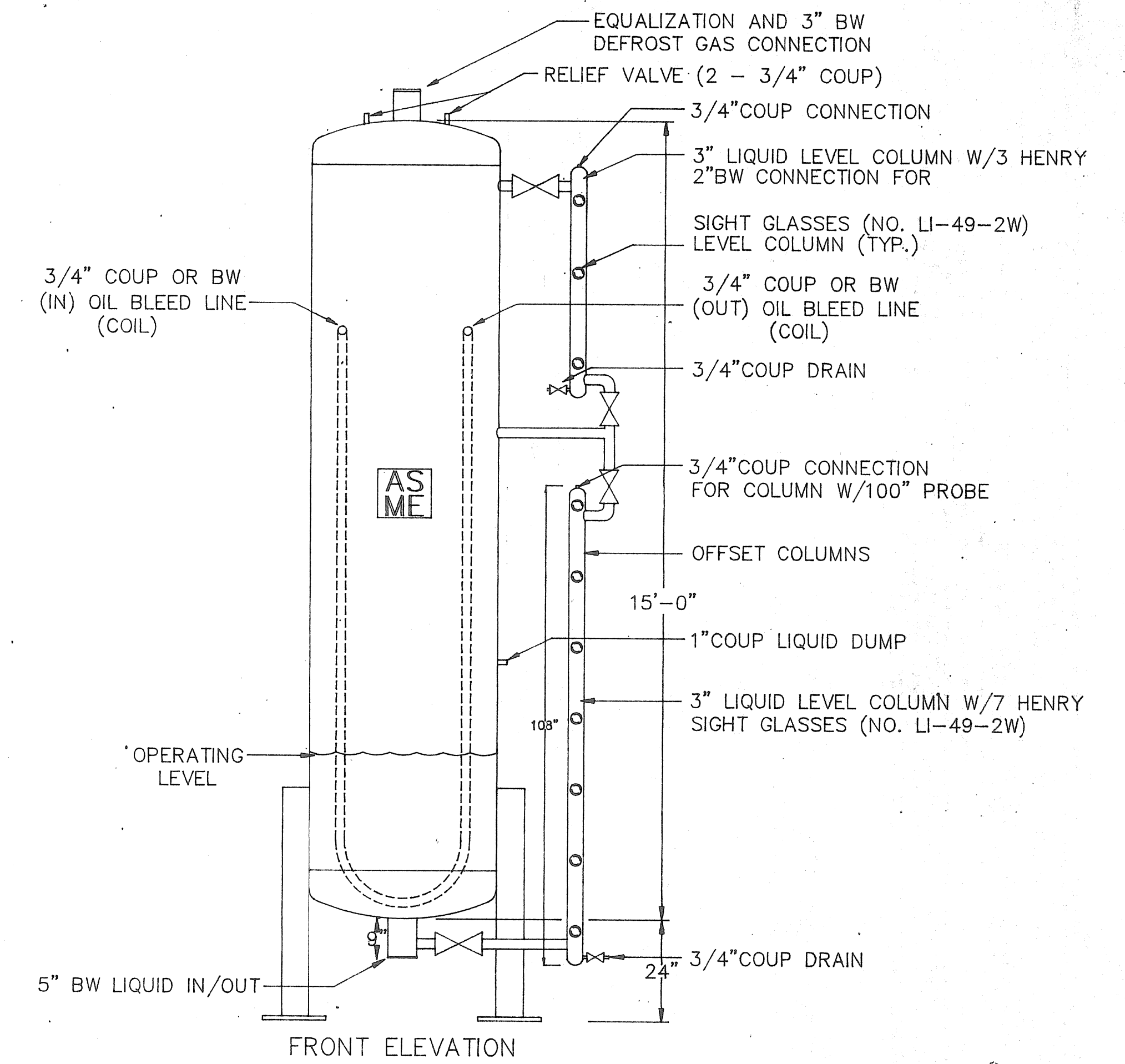
2	REV. ASBULT	VFR	9-15-94	J.P. KEMPF JR.
NO.	REVISION	BY	DATE	APP'D BY
J. P. KEMPF CO.				
REFRIGERATION CONTRACTORS				
87 CEDAR STREET, NORWALK, CT. 06854 (203) 852-1920				
CUST. PENNY CURTISS				
DESC. FLOW DIAGRAM & PIPE SIZING				
PROJECT NO.	1260			
DATE	8-12-94	ENG. BY	J.P. KEMPF	
SCALE	NONE	DWG. BY	V.F.R.	
FILE NAME	PEN-FLOW			
		DRAWING NO.	R-2	



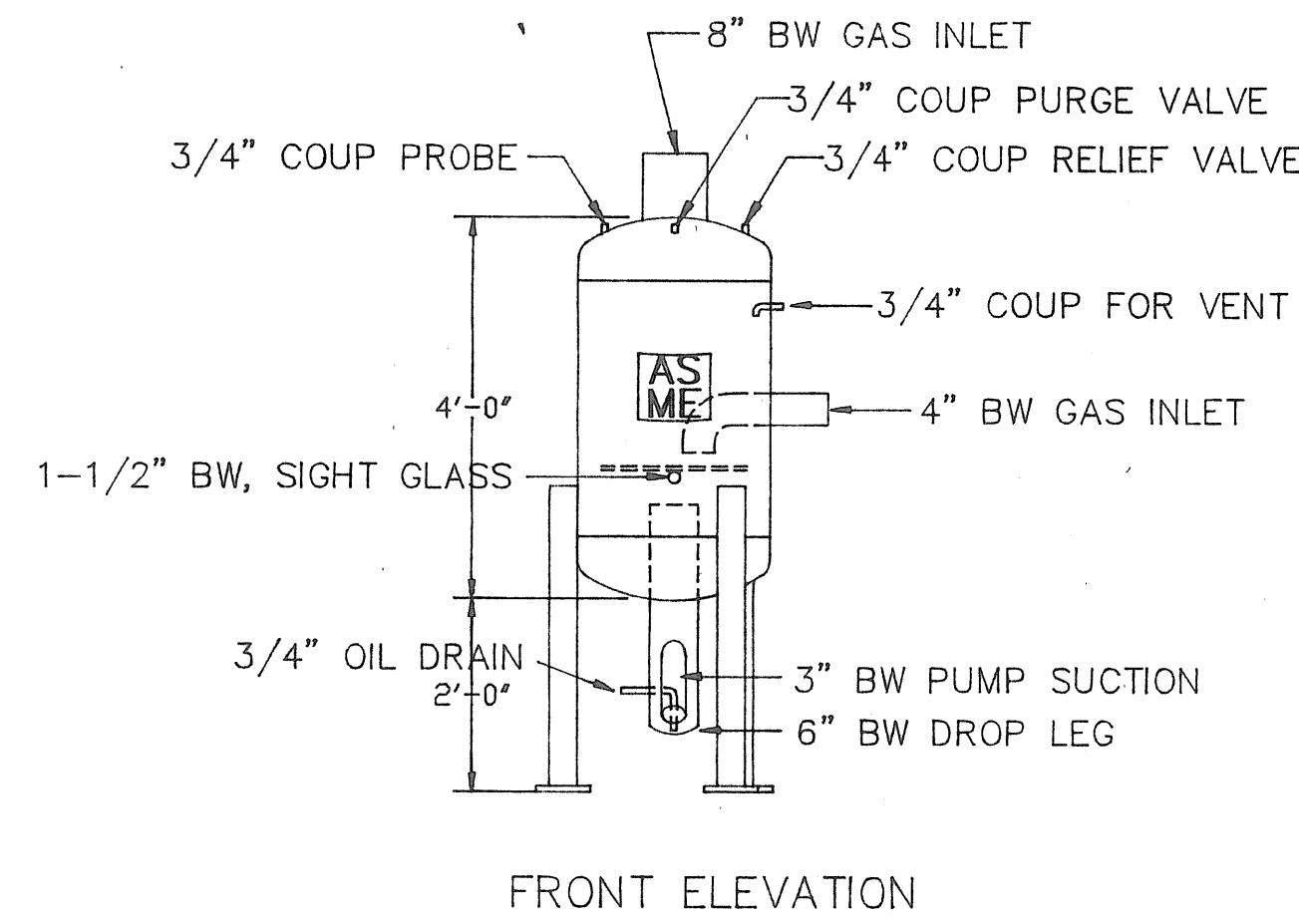
(-40) 60" O.D. X 12'-0" VERT 250# ASME
 PUMP LIQUID RECIRCULATION VESSEL
 SCALE: 1/2" = 1'-0"



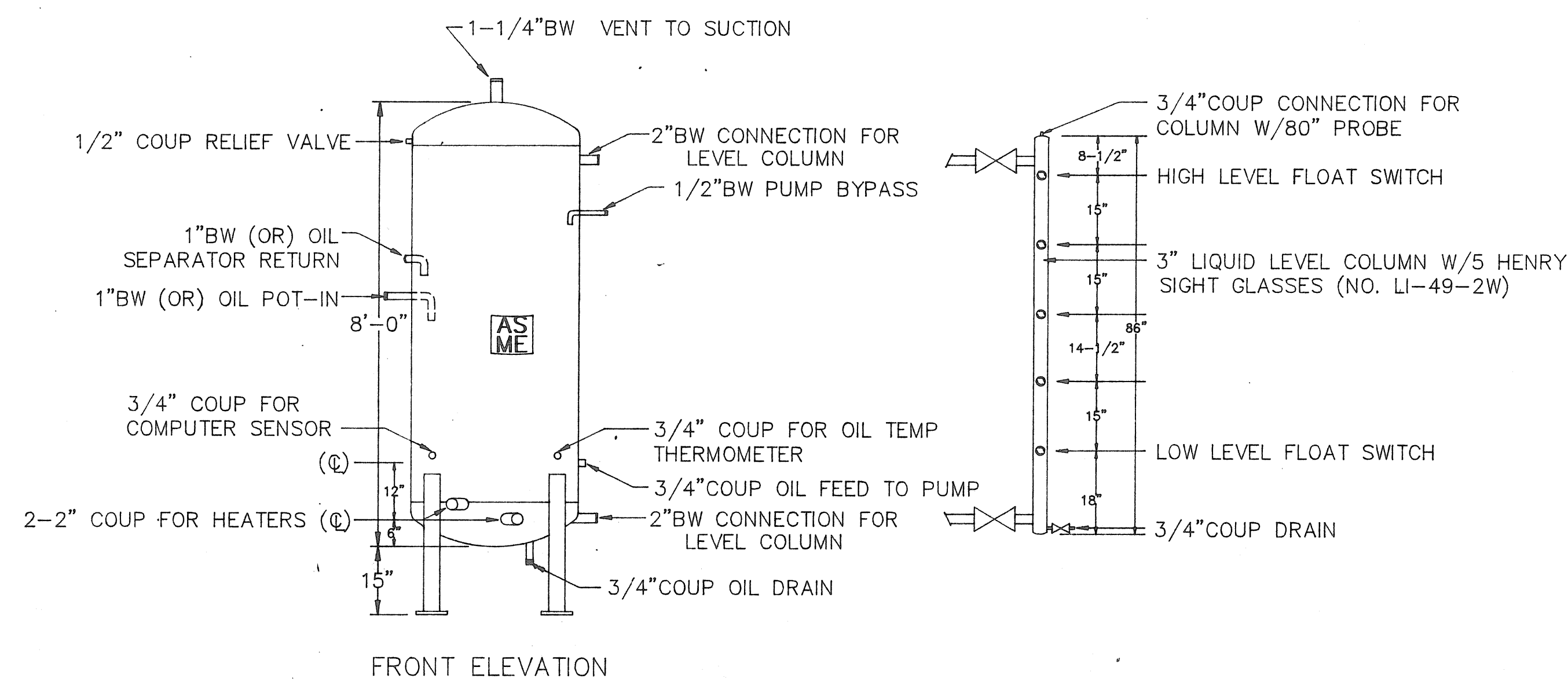
(-40)
 (+20) 12-3/4" O.D. X 2'-6" VERT 250# ASME
 OIL RECOVERY VESSEL (POT)
 SCALE: 1/2" = 1'-0"



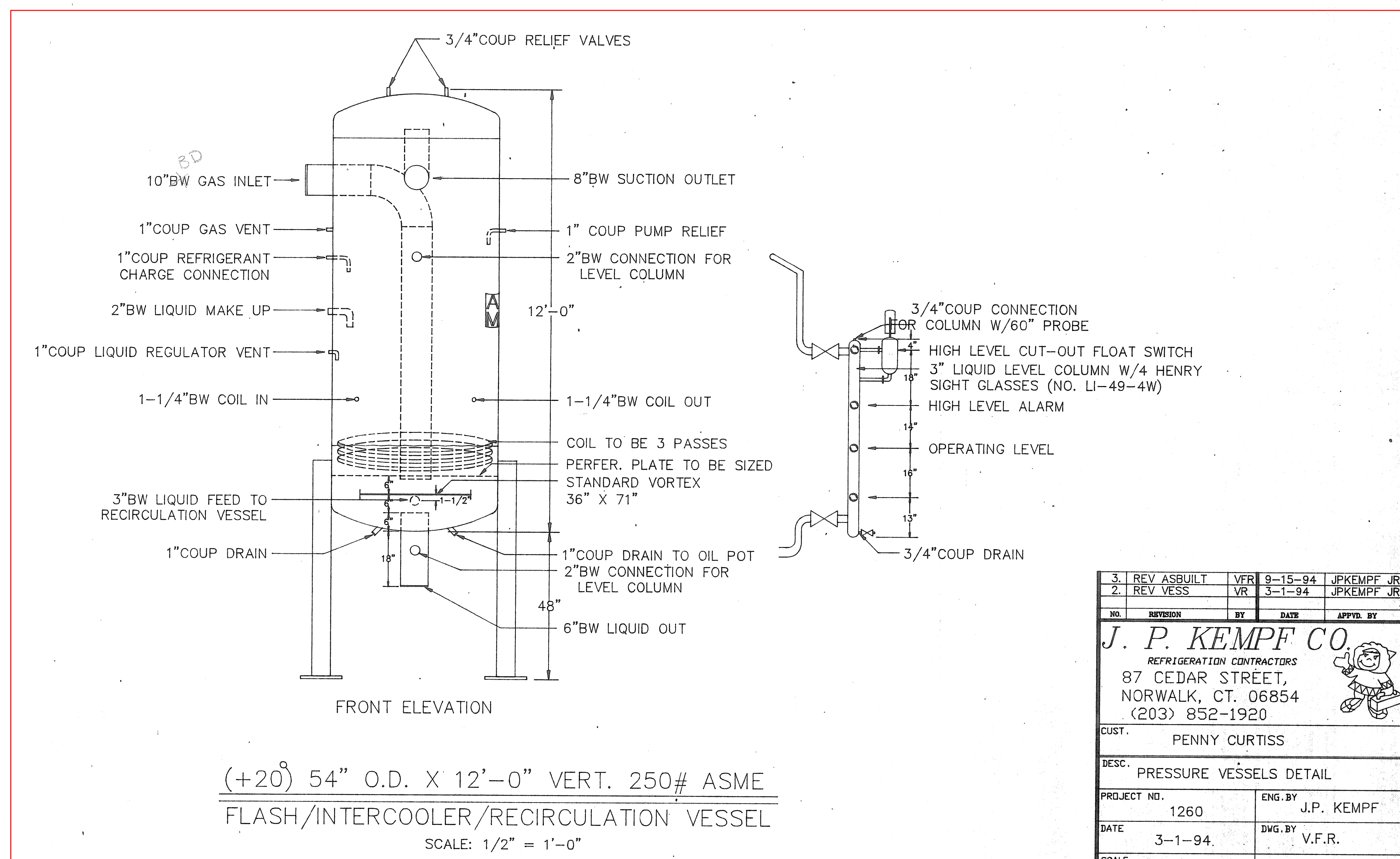
(+93) 42" O.D. X 15'-0" VERT 250# ASME
 HIGH PRESSURE RECEIVER VESSEL
 SCALE: 1/2" = 1'-0"



24" O.D. X 4'-0" VERT 150# ASME
 TRANSFER VESSEL
 SCALE: 1/2" = 1'-0"



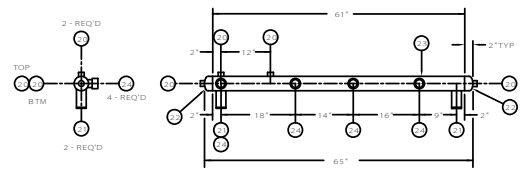
(+90) 36" O.D. X 8'-0" VERT 250# ASME
 OIL RECOVERY RECEIVER VESSEL
 SCALE: 1/2" = 1'-0"



(+20) 54" O.D. X 12'-0" VERT. 250# ASME
 FLASH/INTERCOOLER/RECIRCULATION VESSEL
 SCALE: 1/2" = 1'-0"

3	REV ASSUILT	VERI	9-15-94	JPKEMPF JR
2	REV VESS	VR	3-1-94	JPKEMPF JR
NO.	REVISION	BY	DATE	APPRD BY
J. P. KEMPF CO. REFRIGERATION CONTRACTORS 87 CEDAR STREET, NORWALK, CT. 06854 (203) 852-1920				
CUST. PENNY CURTISS				
DESC. PRESSURE VESSELS DETAIL				
PROJECT NO.	1260	ENG. BY	J.P. KEMPF	
DATE	3-1-94	DWG. BY	V.F.R.	
SCALE	1/2" = 1'-0"	DRAWING NO.		
FILE NAME	PEN-VES			

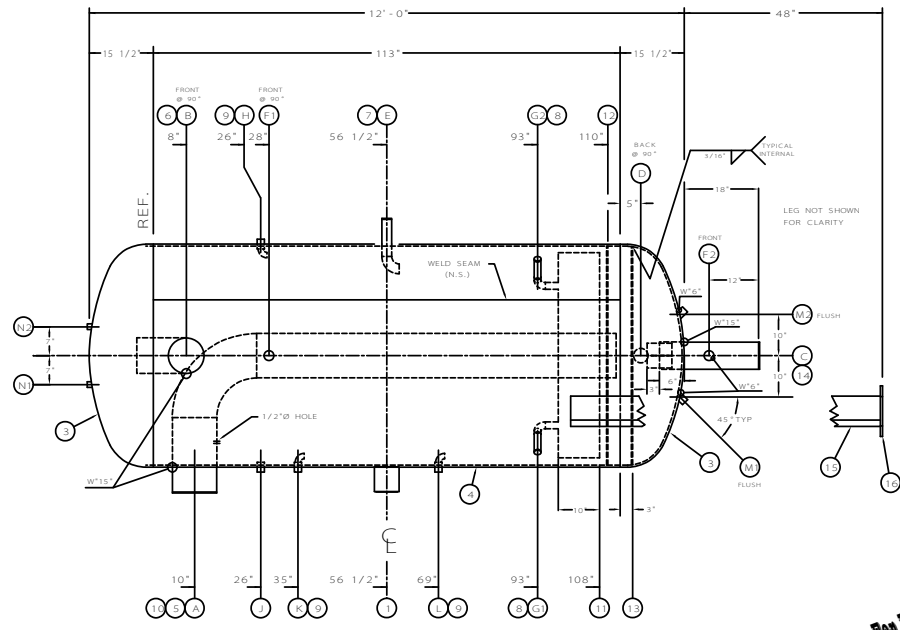
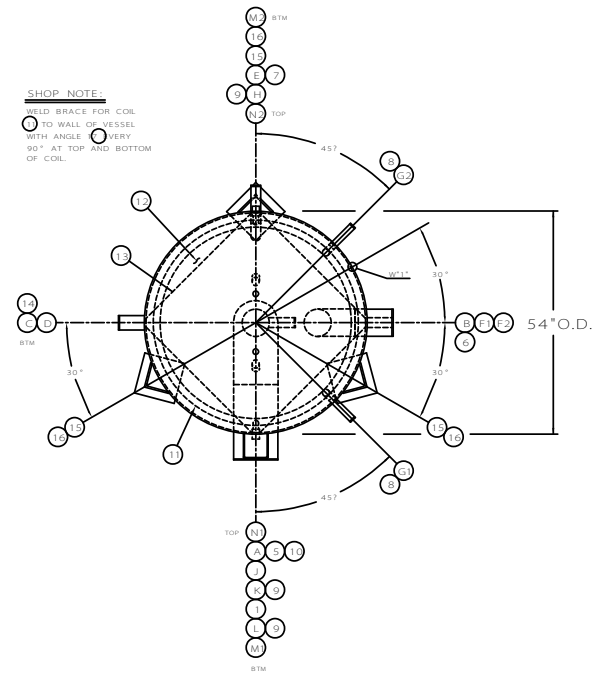
R-7



- #4 LEVEL COLUMN**
- 20.) 3/4" - 3000# FULL SCR'D CPLG - SA105 - (4)
 - 21.) 2" 5/40 PIPE X 4 1/2" LNG - SA106B - (2)
 - 22.) 3" 5/40 B.W. PIPE CAP - SA234-WPB - (2)
 - 23.) 3" 5/40 PIPE X 61" LNG - SA106B - (1)
 - 24.) R.V.S. LI-4 LEVEL INDICATORS - (4)

SHOP NOTE:

- WELD BRACE FOR COIL TO WALL OF VESSEL WITH ANGLE VERY 90° AT TOP AND BOTTOM OF COIL.



FOR REFERENCE ONLY

TEST WITH OIL		ASME DATA PLATE		BILL OF MATERIALS										CUSTOMER: J.P. KEMPF CO., INC.		P.O. NO. 6190	
AIR TEST COIL		U		NOZZLE SCHEDULE										VESSEL DESIGN SPECIFICATIONS		TITLE: 54" O.D. X 12'-0" VERT 250# ASME FLASH INTERCOOLER / RECIRCULATOR	
		MAY 1987		NOZZLE SCHEDULE										DESIGN & CONSTRUCTION IN ACCORDANCE WITH SECTION VIII DIV. 1 ASME CODE FOR PRESSURE VESSELS		SCALE: 1" = 1'-0"	
		250		NOZZLE SCHEDULE										DESIGN & CONSTRUCTION IN ACCORDANCE WITH SECTION VIII DIV. 1 ASME CODE FOR PRESSURE VESSELS		DATE: 2-28-94	
		250		NOZZLE SCHEDULE										DESIGN & CONSTRUCTION IN ACCORDANCE WITH SECTION VIII DIV. 1 ASME CODE FOR PRESSURE VESSELS		DRAWING NO. L0093 - 2	
		250		NOZZLE SCHEDULE										DESIGN & CONSTRUCTION IN ACCORDANCE WITH SECTION VIII DIV. 1 ASME CODE FOR PRESSURE VESSELS		REV. 1	