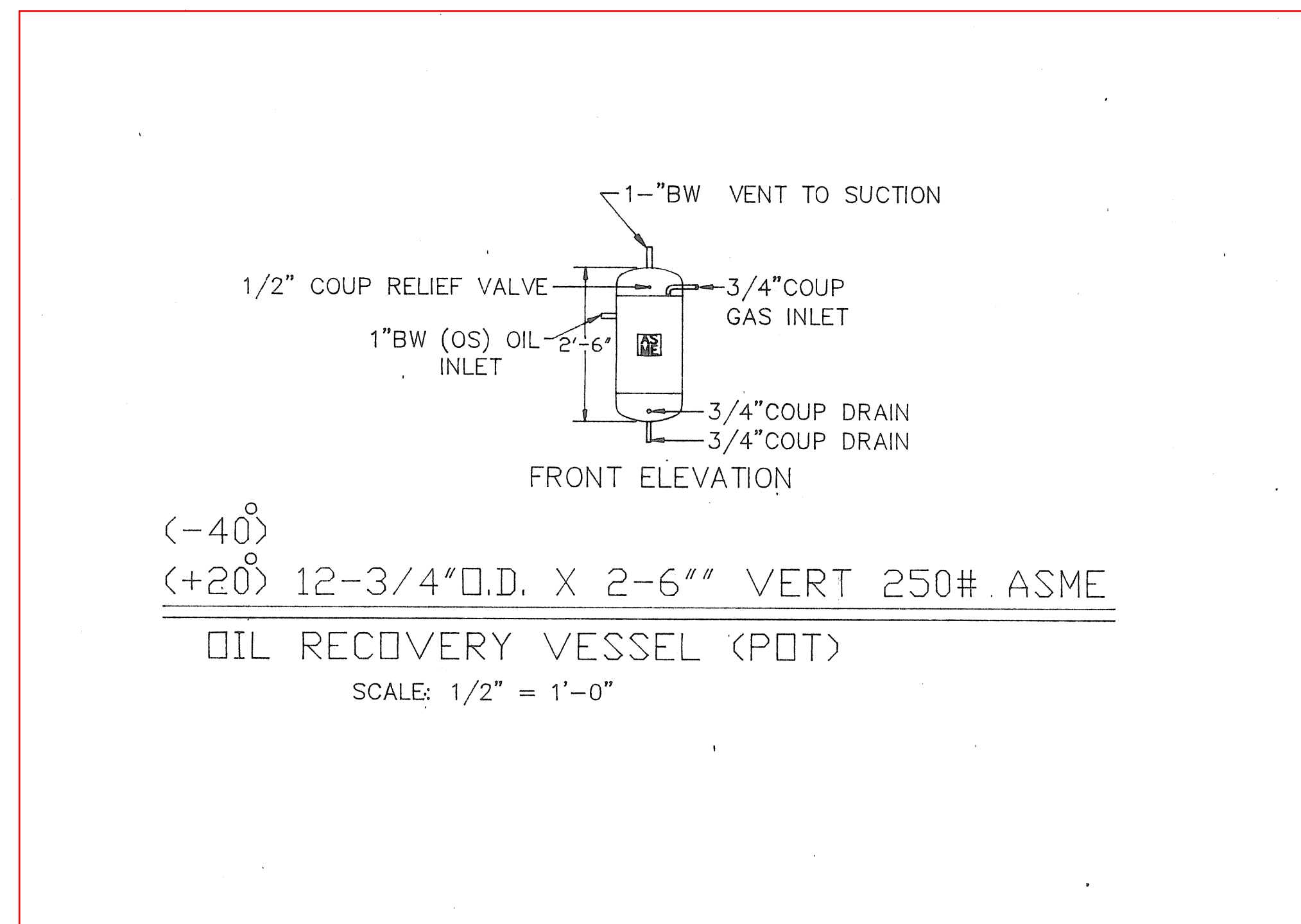
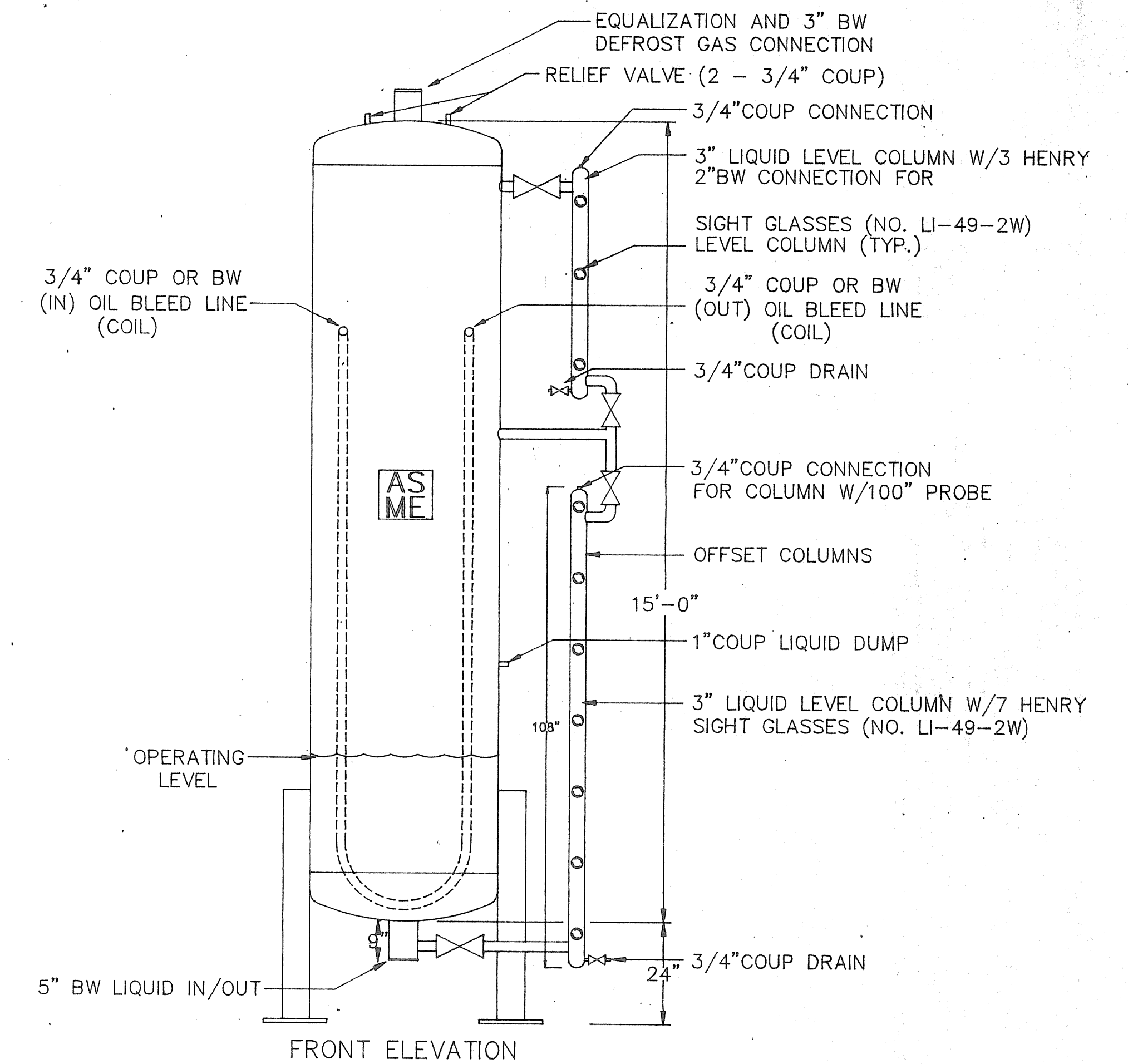


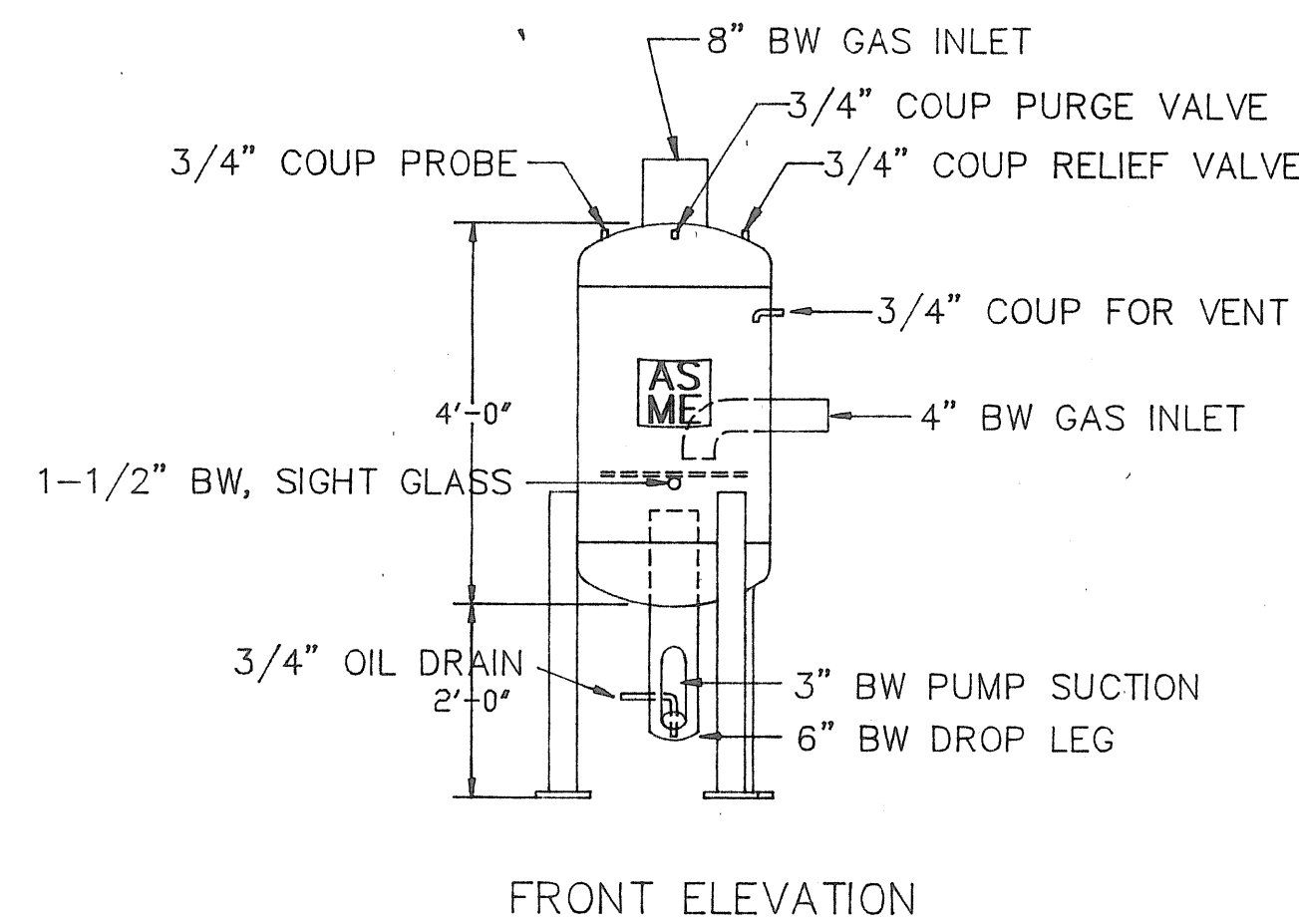
(-40) 60" O.D. X 12'-0" VERT 250# ASME
PUMP LIQUID RECIRCULATION VESSEL
SCALE: 1/2" = 1'-0"



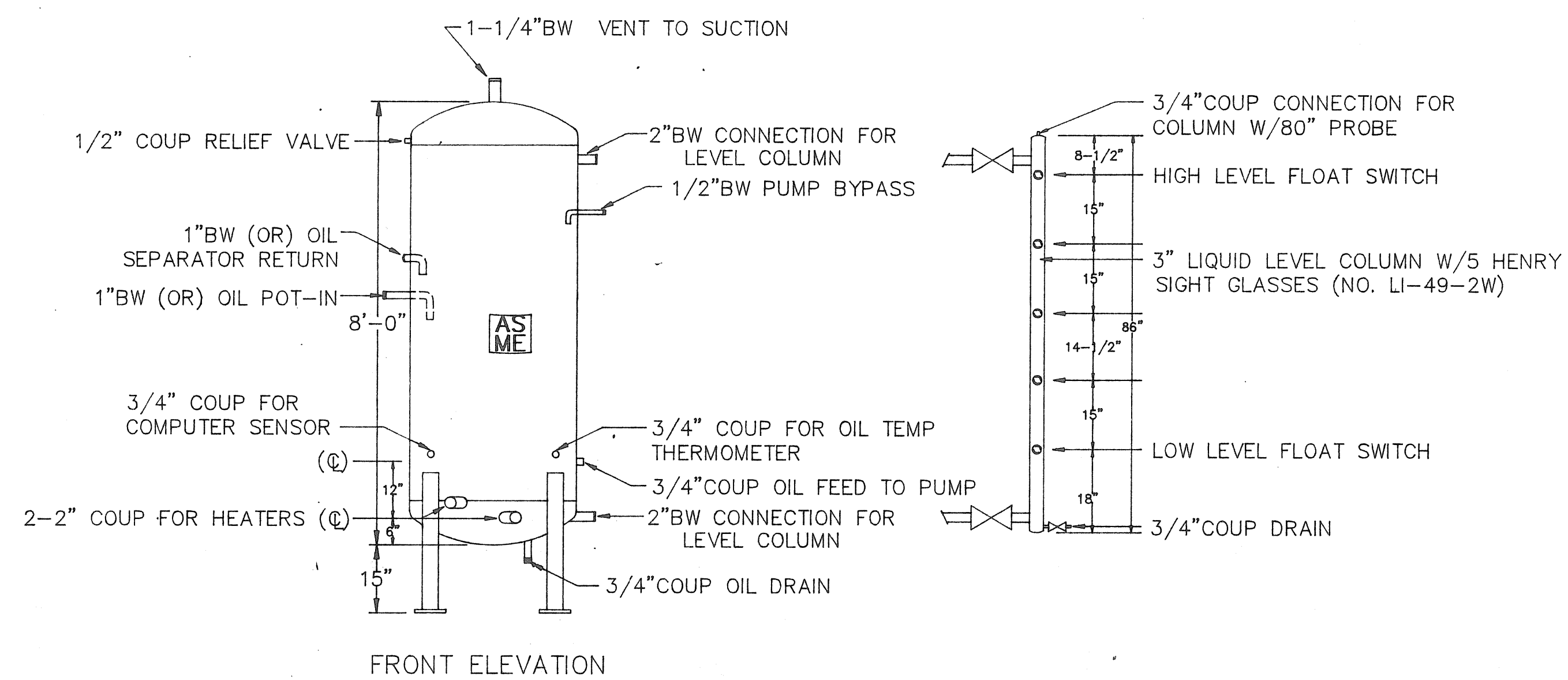
(-40)
(+20) 12-3/4" O.D. X 2-6" VERT 250# ASME
OIL RECOVERY VESSEL (POT)
SCALE: 1/2" = 1'-0"



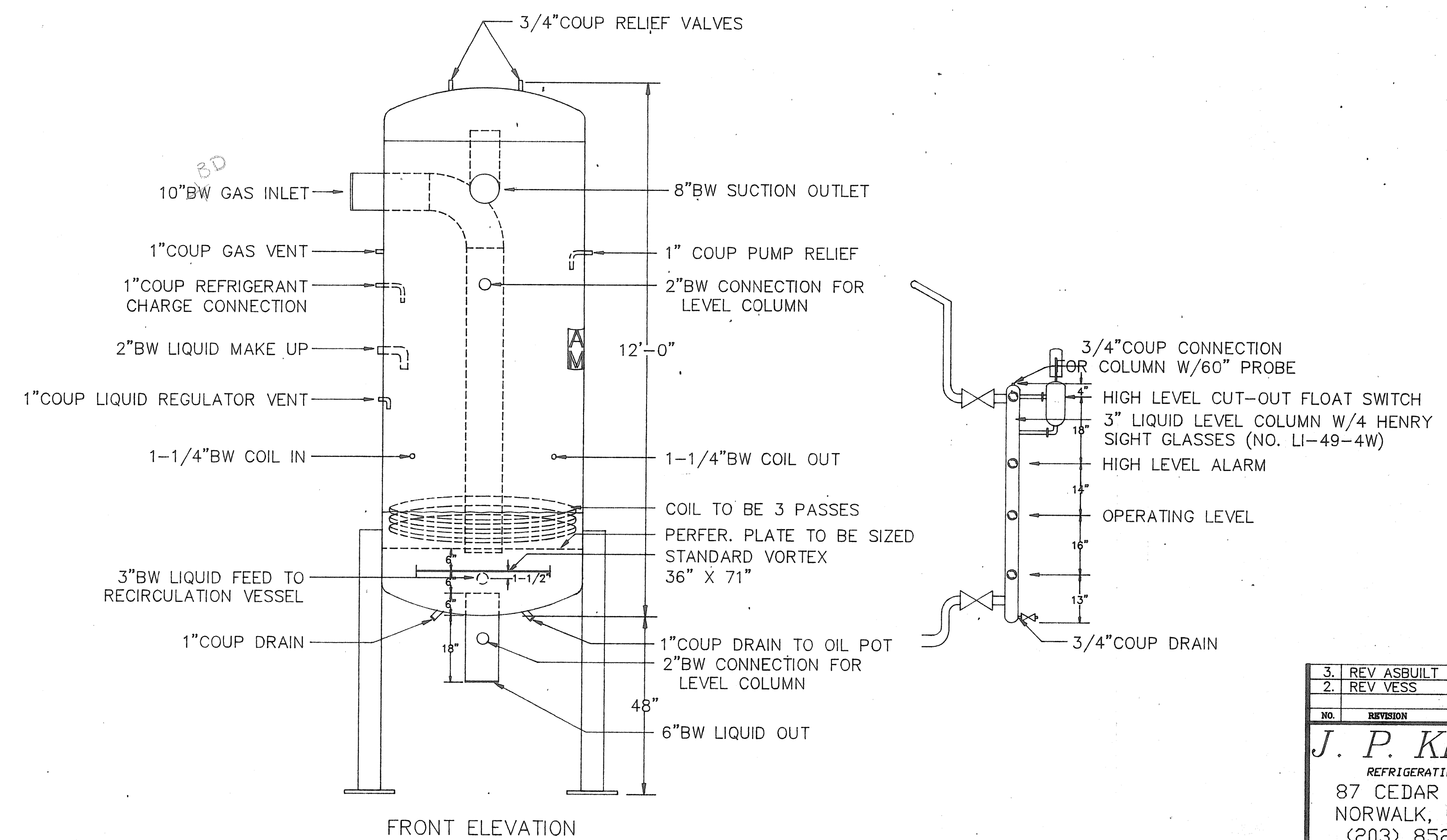
(+93) 42" O.D. X 15'-0" VERT 250# ASME
HIGH PRESSURE RECEIVER VESSEL
SCALE: 1/2" = 1'-0"



24" O.D. X 4'-0" VERT 150# ASME
TRANSFER VESSEL
SCALE: 1/2" = 1'-0"



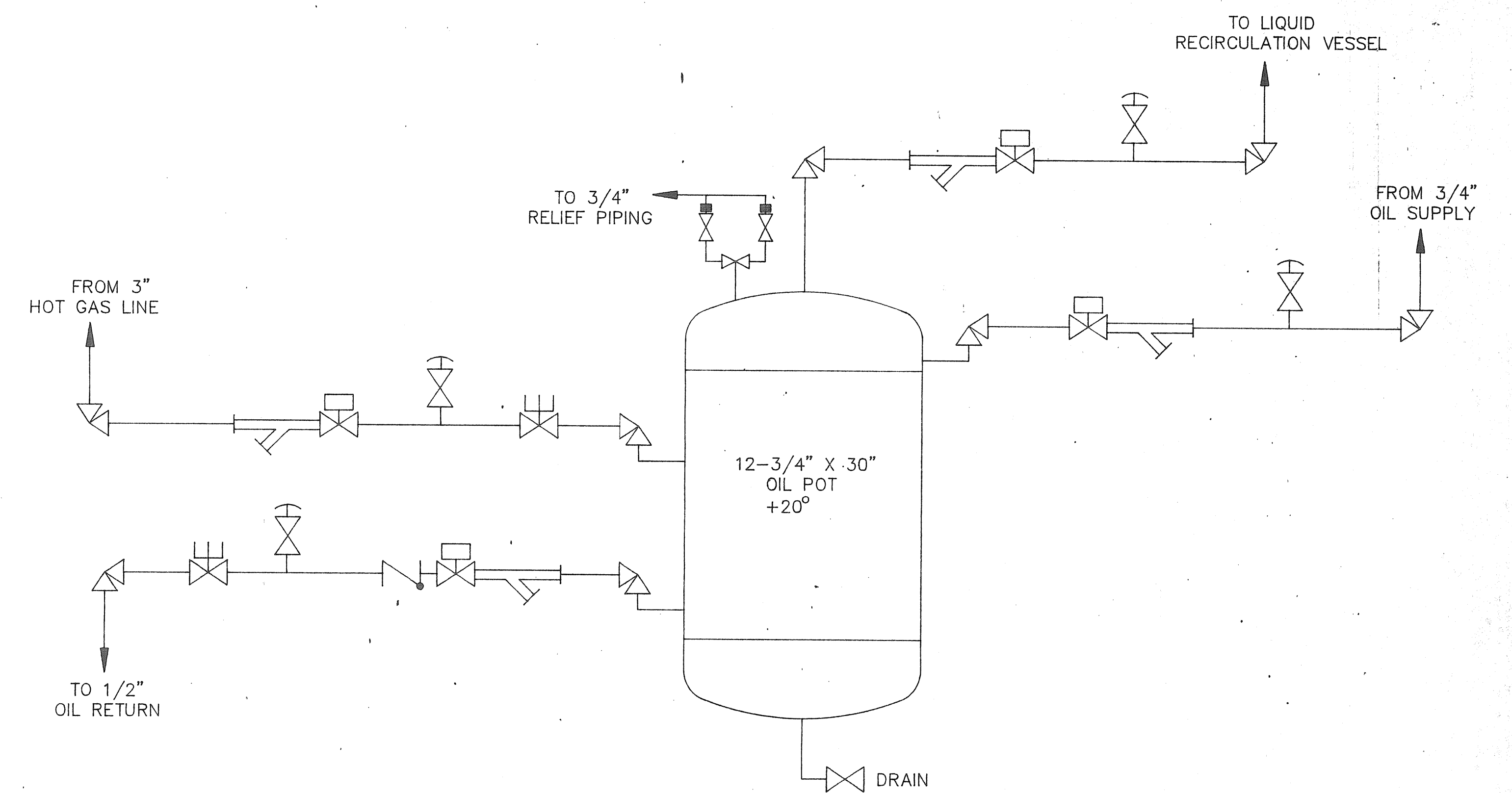
(+90) 36" O.D. X 8'-0" VERT 250# ASME
OIL RECOVERY RECEIVER VESSEL
SCALE: 1/2" = 1'-0"



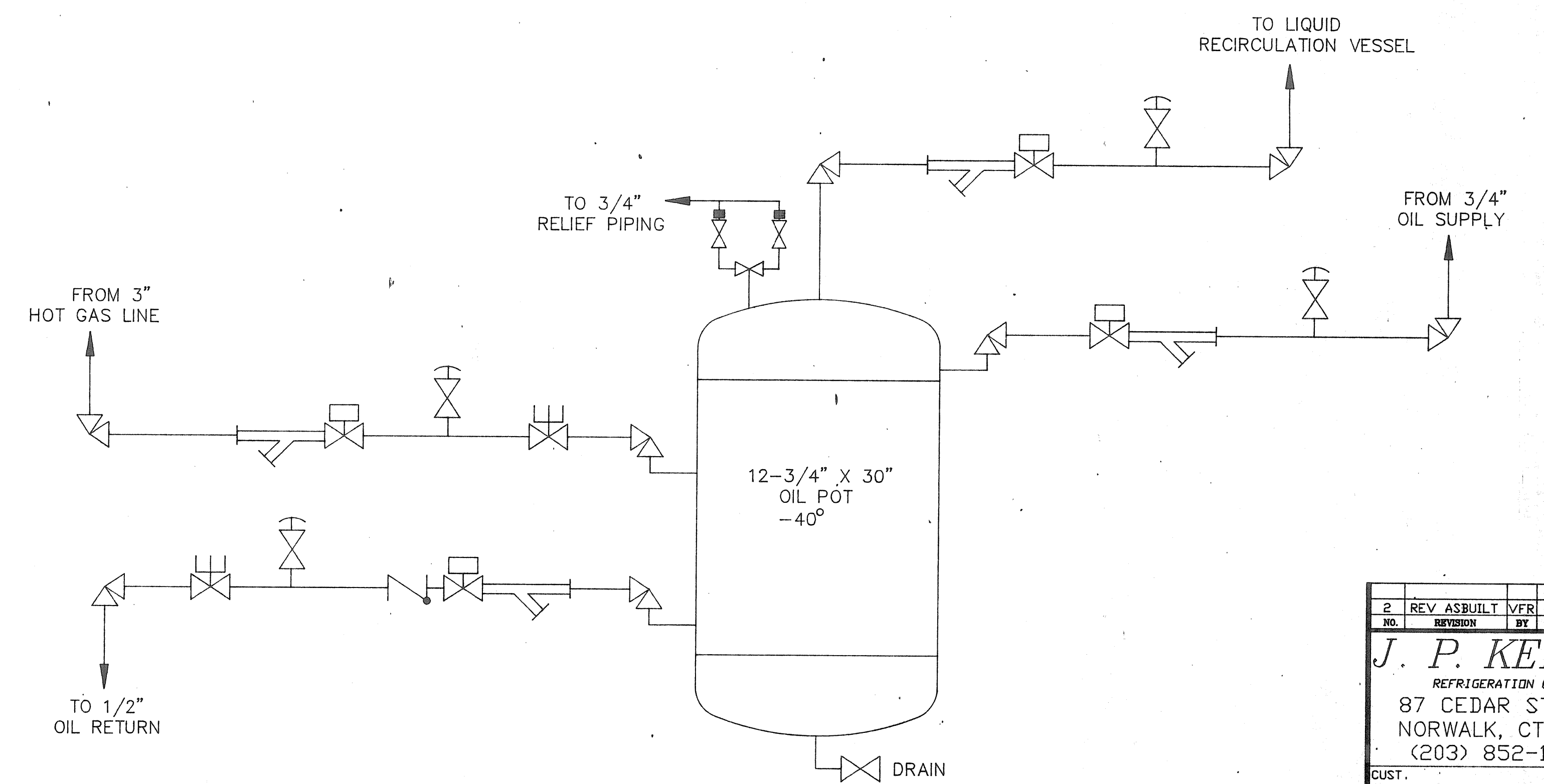
(+20) 54" O.D. X 12'-0" VERT. 250# ASME
FLASH/INTERCOOLER/RECIRCULATION VESSEL
SCALE: 1/2" = 1'-0"

3	REV ASSUILT	VERI	9-15-94	JPKEMPF JR
2	REV VESS	VR	3-1-94	JPKEMPF JR
NO.	REVISION	BY	DATE	APPRO BY
J. P. KEMPF CO. REFRIGERATION CONTRACTORS 87 CEDAR STREET, NORWALK, CT. 06854 (203) 852-1920				
CUST.	PENNY CURTISS			
DESC.	PRESSURE VESSELS DETAIL			
PROJECT NO.	1260	ENG. BY	J.P. KEMPF	
DATE	3-1-94	DWG. BY	V.F.R.	
SCALE	1/2" = 1'-0"			
FILE NAME	PEN-VES			

R-7

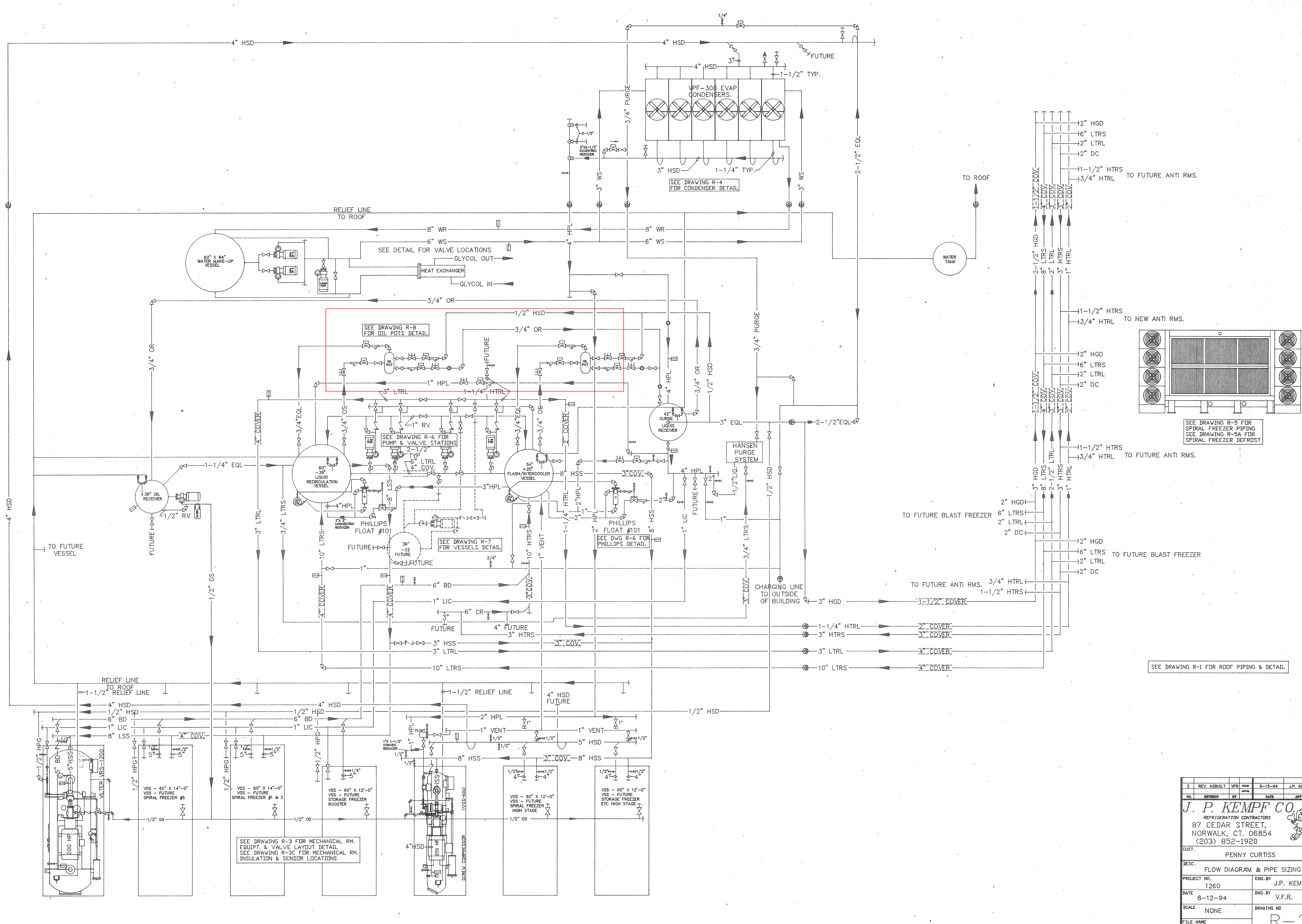


DETAIL: (+20°) VALVE LAYOUT FOR OIL POT
SCALE: NONE



DETAIL: (-40°) VALVE LAYOUT FOR OIL POT
SCALE: NONE

2	REV AS BUILT	VERIFIED	DATE	BY	APPROVED
			3-15-94	J.P. KEMPF	J.R.
J. P. KEMPF CO.					
REFRIGERATION CONTRACTORS					
87 CEDAR STREET, NORWALK, CT. 06854 (203) 852-1920					
CUST. PENNY CURTISS					
DESC. DETAILS OF OIL POTS W/VALVES					
PROJECT NO. 1260			ENG. BY J.P. KEMPF		
DATE 5-5-94			DWG. BY V.F.R.		
SCALE AS NOTED			DRAWING NO.		
FILE NAME PEN-R8			R-8		



SEE DRAWING R-3 FOR MECHANICAL RM. EQUIPT. & VALVE LAYOUT DETAIL. SEE DRAWING R-3C FOR MECHANICAL RM. INSULATION & SENSOR LOCATIONS.

SEE DRAWING R-9 FOR OIL POTS DETAIL.

SEE DRAWING R-6 FOR PUMP & VALVE STATIONS.

SEE DRAWING R-7 FOR VESSELS DETAIL.

SEE DWG R-6 FOR PHILLIPS DETAIL.

SEE DRAWING R-4 FOR CONDENSER DETAIL.

SEE DRAWING R-5 FOR SPIRAL FREEZER PIPING. SEE DRAWING R-5A FOR SPIRAL FREEZER DEFFROST.

SEE DRAWING R-1 FOR ROOF PIPING & DETAIL.

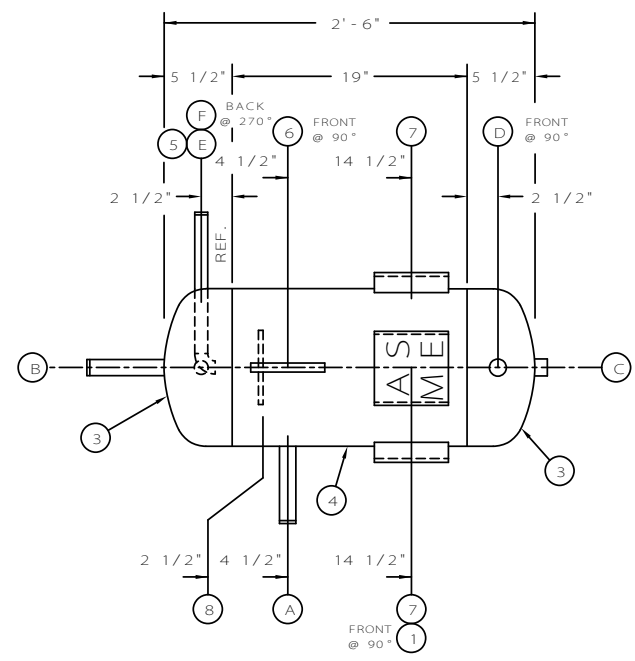
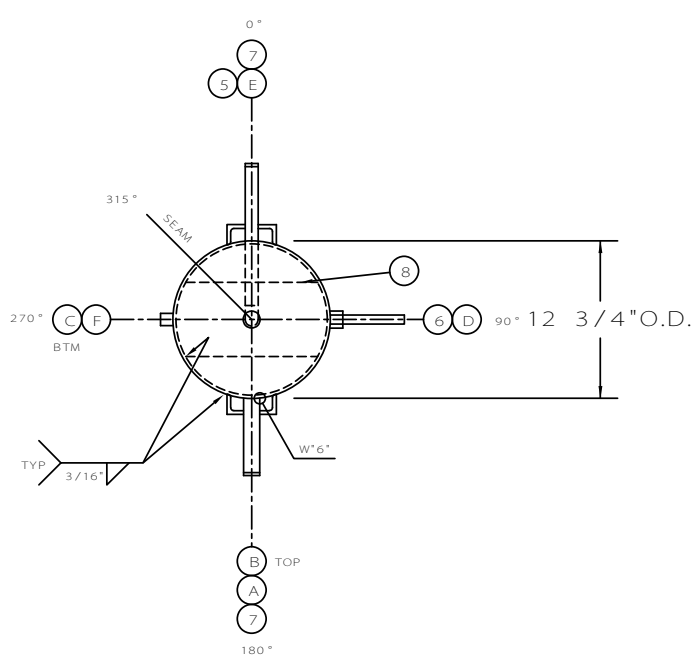
2	REV. ASBULT	VFR	9-15-94	J.P. KEMPF JR.
NO.	REVISION	BY	DATE	APP'D BY
J. P. KEMPF CO.				
REFRIGERATION CONTRACTORS				
87 CEDAR STREET, NORWALK, CT. 06854 (203) 852-1920				
CUST. PENNY CURTISS				
DESC. FLOW DIAGRAM & PIPE SIZING				
PROJECT NO.	1260			
DATE	8-12-94			
SCALE	NONE			
FILE NAME	PEN-FLOW			
ENG. BY	J.P. KEMPF			
DWG. BY	V.F.R.			
DRAWING NO.	R-2			

GENERAL NOTES

- (1) ALL PIPE NOZZLES EXTEND 4" OUTSIDE SHELL UNLESS INDICATED OTHERWISE.
- (2) ALL WELDS WPS IS: 100L, 100H, 100K, AND WPS APPLY UNLESS INDICATED OTHERWISE.
- (3) SIZES TO MAY BE SUBSTITUTED FOR S.A.P.S.
- (4) STANDARD PIPE MAY BE SUBSTITUTED FOR S.A.P.S. SEAMLESS AND VICE VERSA.
- (5) ALL BOLT HOLES STRADDLE CENTERLINE.

TYP. Girth Seam
TYP. Butt Weld Seam
NOZZLE
Nameplate Bracket
Nozzle
Left Legs

TYP. UNLESS INDICATED OTHERWISE



CUSTOMER	J.P. KEMPF				
P.O. NO.	6302				
VESSEL DESIGN SPECIFICATIONS					
DESIGN & CONSTRUCTION IN ACCORDANCE WITH SECTION VIII DIV. 1 VESSEL CODE FOR PRESSURE VESSELS					
NO.	DATE	BY	DESCRIPTION	TITLE	
				12 3/4" O.D. X 2'-6" VERT 250# ASME OIL RECOVERY VESSEL	
DRAWN BY	MM	SERIAL NO.	94406	SCALE	3"=1'-0"
CHECKED BY		TO SHOP		DATE	4-11-94
DRAWING NO.					L0184-2A

ITEM	QTY	SIZE	TYPE	SCHEDULE	MATERIAL	SERVICE	LENGTH	I.D.	O.D.	WEIGHT	NOZZLE SCHEDULE		SHELL, HEADS, INTERNALS, SUPPORTS	
1														
2														
3														
4														
5														
6														
7														
8														

TEST WITH OIL

DUAL STAMP

ASME DATA PLATE

U

MATERIAL SPECIFIC CAPACITY REFRIGERATION SYSTEMS & SYSTEMS CORPORATION BRAVO, TEXAS