

TECHNICAL SHEET

ATSH1-150-A

Open MT SERIES

LEGAL DISCLAIMER:

While Frascold has made every effort at the time of publication to ensure the accuracy of the information provided herein, product specifications and performances could be subject to change without notice. You can find the most updated information in our Product Selection Software FSS3 at the link: https://www.frascold.it/en/download/software/fss_3_frascold_selection_software.



Technical data - ATSH1-150-A



Displacement @ (2900 rpm - 50 Hz)	m ³ /h	150
Displacement @ (3480 rpm - 60 Hz)	m ³ /h	180
Maximum allowable speed	rpm	4000
Minimum allowable speed	rpm	1450
Net weight	kg	160
Maximum operating pressure HP	bar	30
Maximum static pressure LP	bar	20,5
Capacity step	%	100-75

Standard accessories - ATSH1-150-A



Integrated check valve and internal pressure relief valve

Discharge temperature PTC sensor

Packing ensuring proper handling and protection

Electronic Alarm Control Module

T00EC28

2-step capacity control 75-100% and unloaded start

Optional accessories - ATSH1-150-A

Suction valve with soldering connection

Discharge valve with soldering connection

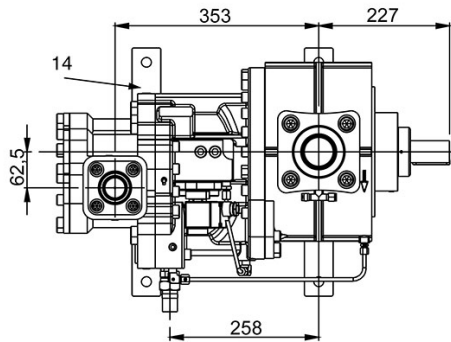
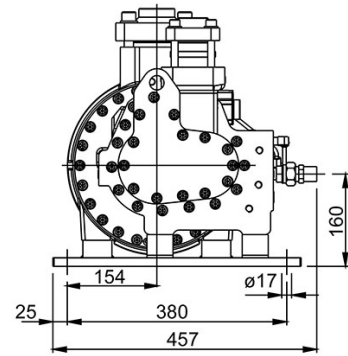
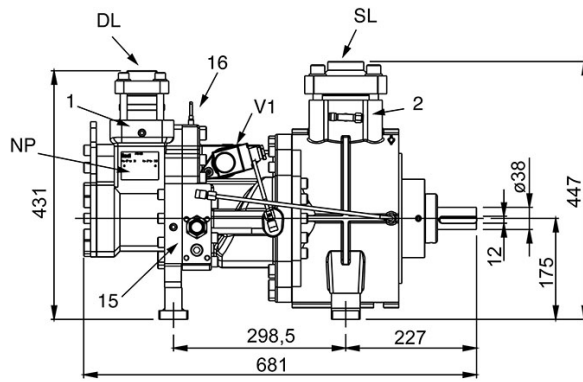
Connection Kit for Economiser or Liquid Injection

Rubber vibration dampers (4 pcs)

Special painting

Coupling

Coupling housing



Position and connections:



SV: Suction Valve	mm	54
SV: Suction Valve	inch	2 1/8"
DV: Discharge valve	mm	42
DV: Discharge valve	inch	1 5/8"
SL: Suction line		2 5/8"
DL: Discharge line		1 5/8"
V1: Capacity control valve		-
1: High pressure connection		-
2: Low pressure connection		-
14: ECO/liquid injection connection		-
15: Oil return connection		-
16: Discharge temperature sensor		-
NP: Nameplate		-