

NTP ORDER DETAIL



EVAPCO, INC.
1234 Brady Blvd.
Owatonna, Minnesota 55060
Telephone: 507-446-8005
Facsimile: 507-446-8239
Email: evapcomn@evapcomn.com

Customer PO #: WN1701017
Evapco Serial #: I029420

Date: March 20, 2002
Plant: Iowa

Sold To: Kraft Foods, Inc
Eng. Finance – GN
P.O. Box 7188
Madison, WI. 53707-7188
Attn: Tammie L. Slade

Ship To: Kraft Foods, Inc
220 Park Center Drive
Winchester, VA. 22603

PROJECT:
ROOM Dock Area

QTY: one
MODEL: NTPA-49-0408

ENGINEER: Stahlman
REP: North Atlantic –Stanton

TERMS
CREDIT APPR
TAX STATUS
NO. PRINTS

FOB FACTORY PPA
SHIPMENT REQD
SCHEDULED
FOR 5/15/2002

SHIP VIA
MARK PKGS
CARRIER CALL 48 HRS PRIOR TO DELV
NAME Candi L. Windsor – 540-678-8386

General Information

Model # NTPA-49-0408-SP (Unit Tagging – AU-34)

Left hand unit.

Left hand cooling coils.

Hot gas pan coil piping (none)

Left hand drain connections.

Casing:

Galvanized steel exterior.

4" foam in place panels. (one piece enclosure, with the exception of the coil connection panel)

Liner is galvanized steel. **(BB)**

Standard galvanized steel drain pan.

Doors standard.

Unit mounted roof deck.

The base shall be designed for a pitched roof. (pitch shall be 10 inches over 70 feet)

Return air opening is in the bottom with grating.

Weights:

Unit _____ 7,710 lbs

Refrigerant _____ lbs

Frost _____ lbs

Discharge plenum 1,265 lbs

TOTAL WEIGHT 8,975 lbs

Fan Section

Fan Model # U2-1810-7-36-REG

Number of fans: 3

Fan diameter: 36"

System pressure drops

external static	<u>0.50</u>	"
cooling coil	<u>0.40</u>	"
TOTAL	<u>0.90</u>	"

29,708 CFM @ 0.5" external static pressure.

1160 RPM

1.95 Brake Horsepower (at +45°F operating temperature)

Fan is Airfoil.

Motors

(3) 2 H.P.

460 volt

3 phase

60 Hz.

1200 RPM

TEFC.

Premium efficiency.

Motor frame size 184T

Accessories

Galvanized steel discharge plenum with nine (9), 18" diameter outlets (special 2-way)

Provide discharge plenum with extended ductwork.

Controls

Main control panel, NEMA 4.

Control voltage is 120 volt.

Non-fused disconnect switch. (BF)

Unit motor starter(s), IEC. (BG)

Refrigeration Valves – None-by others

Misc. Controls

Interior service light without transformer, 120 volt by others.

Cooling Coils

Room temperature: 45° F

8 Rows, 4 FPI

Hand of coil: RH

Number of coils: 1

52.25" high X 134" wide face dimensions

Tonnage: 30

Coil volume: 10.18 cu. Ft.

Saturated suction temperature: 33° F

T.D.: 12° F

Type of refrigerant: recirculated ammonia, 3 to 1 feed

Number of inlets (1) Number of outlets (1)

Feed: bottom

Evapco Serial # I029420

Page 3

Inlet size: 1" Outlet size: 2-1/2"

Material type: all aluminum construction **(BK)**

Flanges included.

Special Outside Air Inlet

Special outside air plenum with 30% filtration. (0-2500 CFM)

One (1) 24" x 24" x 4" 30% prefilter

Galvanized steel holding frame

5C197 blower with 1 HP direct drive blower, 115 volt, 1 phase, 60 Hz, capacitor start, 14 amps

Include on/off switch on side of inlet section

Manual Outside air damper 24" X 24"

3/20/2002

(3/27-02) removed 95% filter – ddn

3/28/02 – removed hot gas pan, 95% filters, added premium motors and duct extensions,
changed discharge plenum to 2-way with nine outlets.

UNIT DATA:

MODEL (ONE) / - NTP-49-0408-SP LEFT HAND (SPECIAL)
 UNIT TAG: AU-34

29,708 CFM @ 0.50" EXTERNAL STATIC PRESSURE

CASING: GALV EXTERIOR, PAINTED WHITE W/ GALV INTERIOR

FANS: (3) 36" DIA FANS, U2-1810-7-36-REG
 MOTORS: (3) 2.0 H.P., 460 VOLT, 3 PHASE, 60HZ, 1200 RPM,
 TPC, PREMIUM EFFICIENT, 184T

SPECIAL OUTSIDE AIR INLET:

BLOWER: 5C197 BLOWER W/ 1 H.P. DIRECT DRIVE MOTOR
 115 VOLT, 1 PHASE, 60 HZ, CAPACITOR START 14 AMPS
 ON-OFF SWITCH ON SIDE OF INLET SECTION

COOLING COIL:

ROOM TEMPERATURE: 45F.
 (1) 8 ROW, 4 FINS PER INCH, 52.25" H X 134" W, L.H.
 TONNAGE: 30
 COIL VOLUME: 10.18 CUBIC FT.
 SATURATED SUCTION TEMPERATURE: 33F.
 T.D: 12° F.
 REFRIGERANT: RECIRCULATED AMMONIA, 3 TO 1 FEED
 INLET: 1.0"
 OUTLET: 2.5"
 BOTTOM FEED

CONSTRUCTION: ALL ALUMINUM CONSTRUCTION (FLANGES INCLUDED)
 HOT GAS PAN: NONE

WEIGHT: UNIT: 7,710 LBS.
 PLENUM: 1,265 LBS.
 TOTAL WEIGHT: 8,975 LBS.

INTERIOR SERVICE LIGHTS (2 PLACES)

48,000 DOORS

102,000

32,000

5,250

38,875

36,000

45,125

106,000

6,813

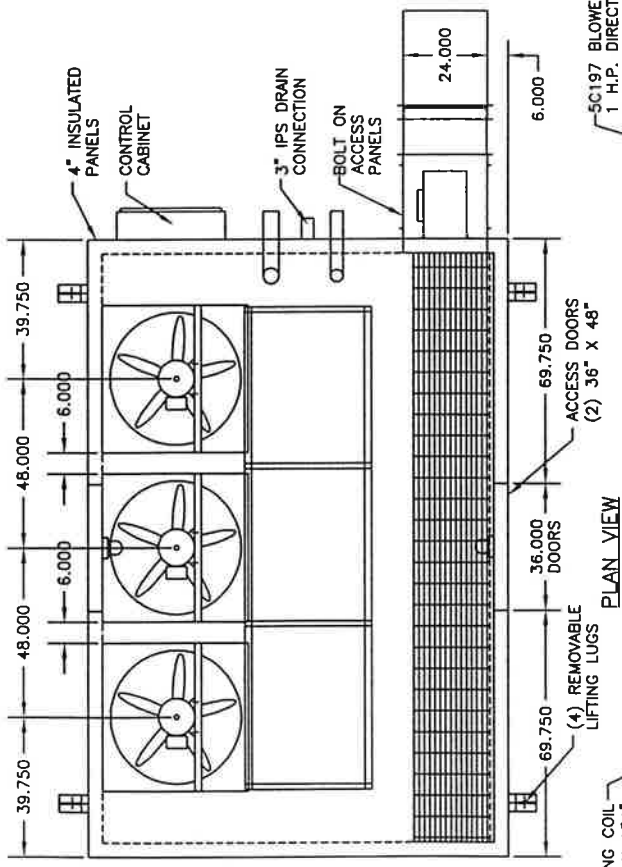
37,000 S/A

21,875 R/A

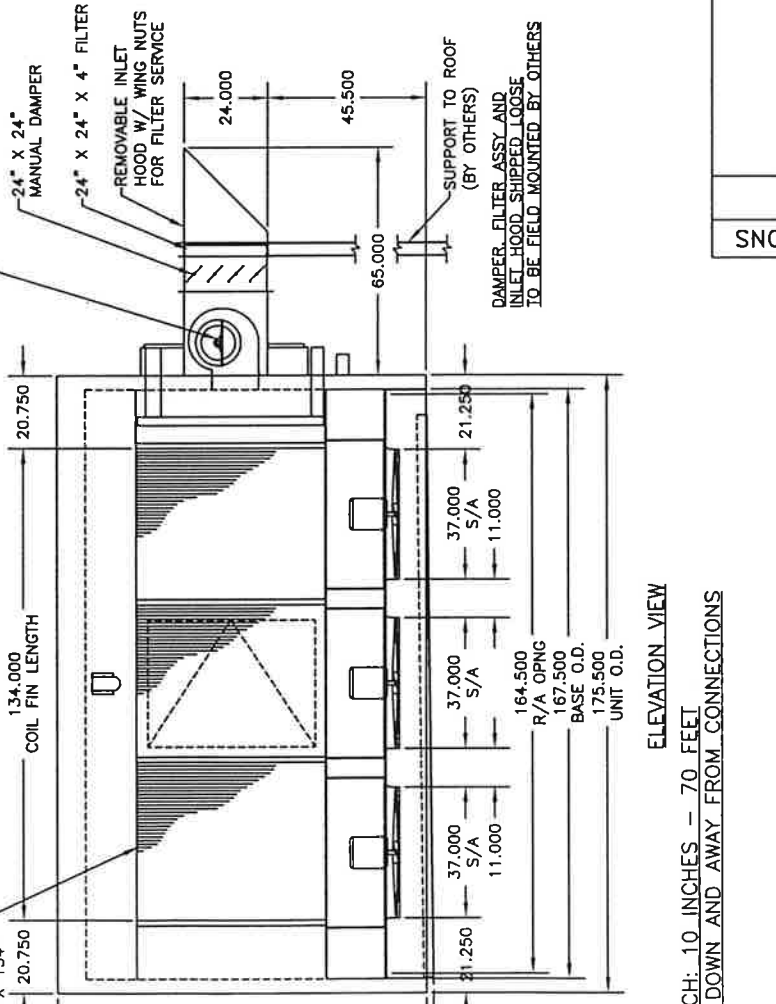
112,000 BASE O.D.

120,000 UNIT O.D.

END VIEW



PLAN VIEW



ELEVATION VIEW

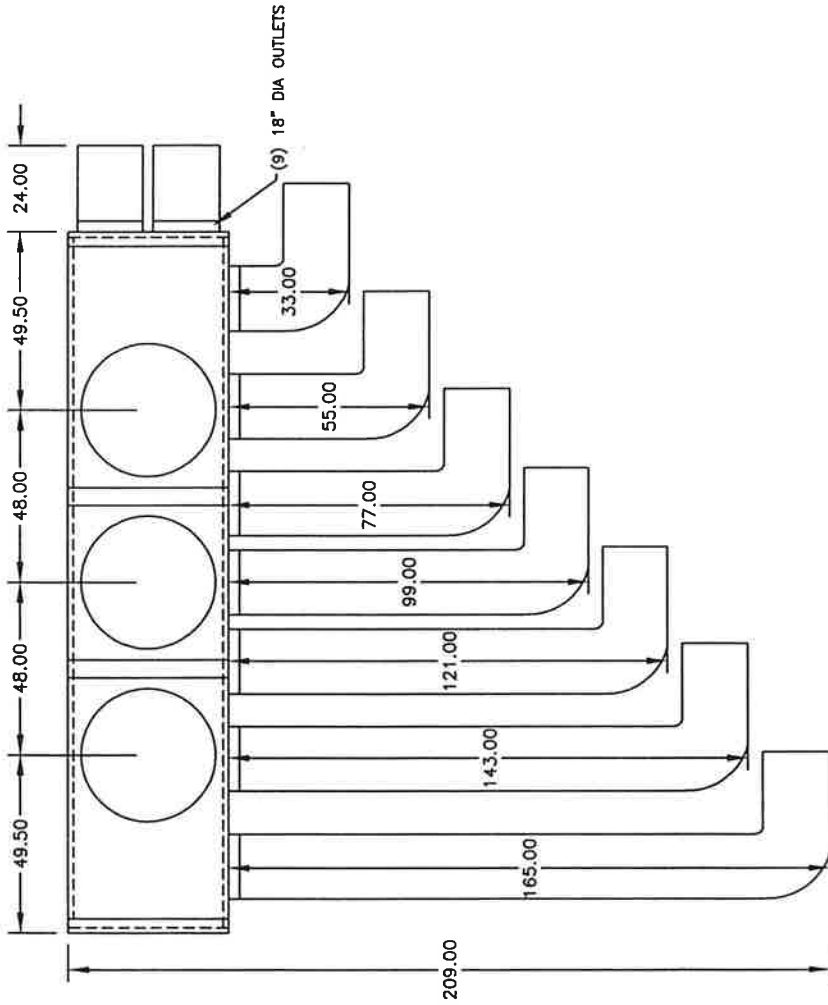
ROOF PITCH: 10 INCHES - 70 FEET
 PITCH IS DOWN AND AWAY FROM CONNECTIONS

NTP-49 LEFT HAND UNIT (SPECIAL WIDTH)
 (SPECIAL PRESSURIZATION BLOWER)
 UNIT TAG: AU-34

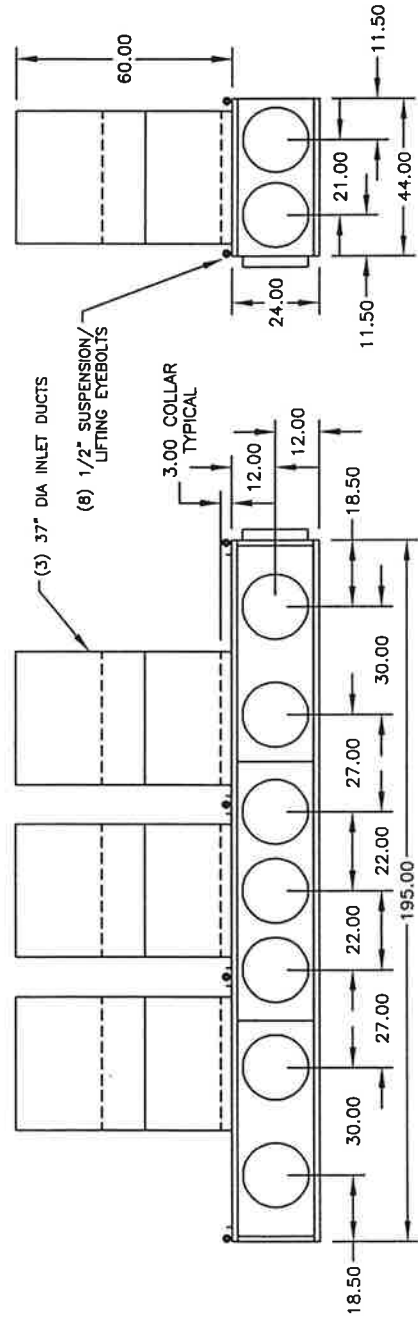
TITLE		KRAFT FOODS	
WINCHESTER, VA			
DATE	3-25-02	ORDER	
BY	DDN	SCALE	
CHKD	DDN	PLG	
DATE		REV. NO.	1029420

REV. NO.	BY	DESCRIPTION
B	DDN	REVISED DATA (3-28-02)
A	DDN	REMOVED 24" X 24" X 12" FILTER (3-27-02)

CONFIDENTIAL
 This document is the property of Evapco, Inc. It should not be copied or disclosed without prior written authorization.



DUCT ELBOWS AND EXTENSIONS ARE
 FURNISHED BY EVAPCO & EXTENSIONS
 ARE TO BE SHIPPED IN 10 FOOT PIECES.

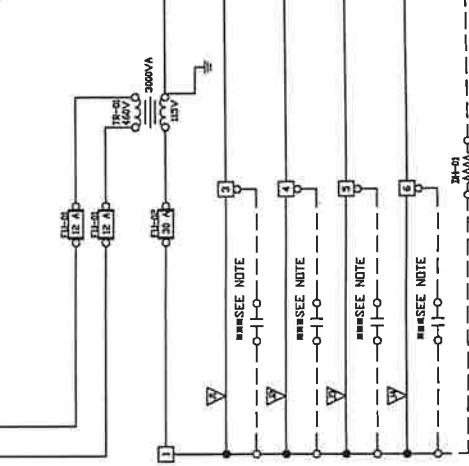
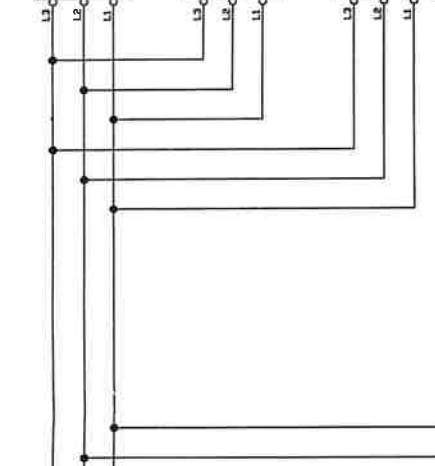
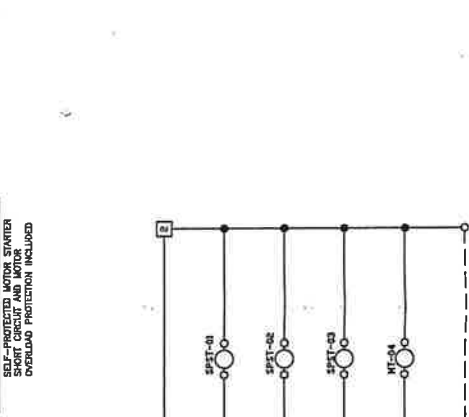
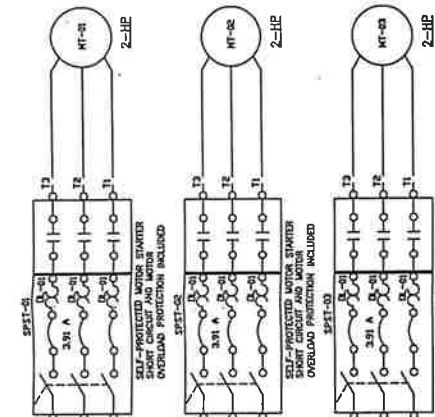


CONFIDENTIAL
 This document is the property of Evapco, Inc. It should not
 be copied or disclosed without prior written authorization.

REVISIONS

TITLE		KRAFT FOODS, WINCHESTER, VA	
MKT.		NTP-49 DISCHARGE PLENUM - 2-WAY	
DATE	3-29-02	ORDER	
SCALE	DDN	SCALE	
BY		BY	
REV. NO.		REV. NO.	
REV. DESCRIPTION		REV. NO.	
			1029420-3





Req. G	Req. D	Interior lights	Blower	2 HP motor, TEAO, 1200 RPM, premium efficiency, 184T frame	Transformer (480 X 115) 3000 VA	Contactor - 5 HP @ 460 VAC(120V COIL)-9 Amp	Motor Protector - (2.5-4 Amps) 140M-D to 100C09...C23	Lugs Included	Fuseholder-Class M 13632 x 1 1/2 (2 poles)	Fuses (1/4 X 1) 30 Amp	Fuses (1/4 X 1) 10 Amp	Fuseholder-Series 8000 1/4 x 1	Switch, Service Light, 20 A
015-02584	P	LT-01,2	Sienco	2 HP motor, TEAO, 1200 RPM, premium efficiency, 184T frame	Transformer (480 X 115) 3000 VA	Contactor - 5 HP @ 460 VAC(120V COIL)-9 Amp	Motor Protector - (2.5-4 Amps) 140M-D to 100C09...C23	Lugs Included	Fuseholder-Class M 13632 x 1 1/2 (2 poles)	Fuses (1/4 X 1) 30 Amp	Fuses (1/4 X 1) 10 Amp	Fuseholder-Series 8000 1/4 x 1	Switch, Service Light, 20 A
015-02551	P	MT-01,2,3	Granger	2 HP motor, TEAO, 1200 RPM, premium efficiency, 184T frame	Transformer (480 X 115) 3000 VA	Contactor - 5 HP @ 460 VAC(120V COIL)-9 Amp	Motor Protector - (2.5-4 Amps) 140M-D to 100C09...C23	Lugs Included	Fuseholder-Class M 13632 x 1 1/2 (2 poles)	Fuses (1/4 X 1) 30 Amp	Fuses (1/4 X 1) 10 Amp	Fuseholder-Series 8000 1/4 x 1	Switch, Service Light, 20 A
015-02574	P	TR-01	Baldor	2 HP motor, TEAO, 1200 RPM, premium efficiency, 184T frame	Transformer (480 X 115) 3000 VA	Contactor - 5 HP @ 460 VAC(120V COIL)-9 Amp	Motor Protector - (2.5-4 Amps) 140M-D to 100C09...C23	Lugs Included	Fuseholder-Class M 13632 x 1 1/2 (2 poles)	Fuses (1/4 X 1) 30 Amp	Fuses (1/4 X 1) 10 Amp	Fuseholder-Series 8000 1/4 x 1	Switch, Service Light, 20 A
015-02587	P	SPST-01,2,3	ACME	2 HP motor, TEAO, 1200 RPM, premium efficiency, 184T frame	Transformer (480 X 115) 3000 VA	Contactor - 5 HP @ 460 VAC(120V COIL)-9 Amp	Motor Protector - (2.5-4 Amps) 140M-D to 100C09...C23	Lugs Included	Fuseholder-Class M 13632 x 1 1/2 (2 poles)	Fuses (1/4 X 1) 30 Amp	Fuses (1/4 X 1) 10 Amp	Fuseholder-Series 8000 1/4 x 1	Switch, Service Light, 20 A
015-02281	P	SW-01	Allen Bradley	2 HP motor, TEAO, 1200 RPM, premium efficiency, 184T frame	Transformer (480 X 115) 3000 VA	Contactor - 5 HP @ 460 VAC(120V COIL)-9 Amp	Motor Protector - (2.5-4 Amps) 140M-D to 100C09...C23	Lugs Included	Fuseholder-Class M 13632 x 1 1/2 (2 poles)	Fuses (1/4 X 1) 30 Amp	Fuses (1/4 X 1) 10 Amp	Fuseholder-Series 8000 1/4 x 1	Switch, Service Light, 20 A
015-02206	P	FU-01	Allen Bradley	2 HP motor, TEAO, 1200 RPM, premium efficiency, 184T frame	Transformer (480 X 115) 3000 VA	Contactor - 5 HP @ 460 VAC(120V COIL)-9 Amp	Motor Protector - (2.5-4 Amps) 140M-D to 100C09...C23	Lugs Included	Fuseholder-Class M 13632 x 1 1/2 (2 poles)	Fuses (1/4 X 1) 30 Amp	Fuses (1/4 X 1) 10 Amp	Fuseholder-Series 8000 1/4 x 1	Switch, Service Light, 20 A
015-02223	P	FU-02	Bussman	2 HP motor, TEAO, 1200 RPM, premium efficiency, 184T frame	Transformer (480 X 115) 3000 VA	Contactor - 5 HP @ 460 VAC(120V COIL)-9 Amp	Motor Protector - (2.5-4 Amps) 140M-D to 100C09...C23	Lugs Included	Fuseholder-Class M 13632 x 1 1/2 (2 poles)	Fuses (1/4 X 1) 30 Amp	Fuses (1/4 X 1) 10 Amp	Fuseholder-Series 8000 1/4 x 1	Switch, Service Light, 20 A
015-02279	P	FU-02,3	Bussman	2 HP motor, TEAO, 1200 RPM, premium efficiency, 184T frame	Transformer (480 X 115) 3000 VA	Contactor - 5 HP @ 460 VAC(120V COIL)-9 Amp	Motor Protector - (2.5-4 Amps) 140M-D to 100C09...C23	Lugs Included	Fuseholder-Class M 13632 x 1 1/2 (2 poles)	Fuses (1/4 X 1) 30 Amp	Fuses (1/4 X 1) 10 Amp	Fuseholder-Series 8000 1/4 x 1	Switch, Service Light, 20 A
015-02861	P	SW-02	Hubbel	2 HP motor, TEAO, 1200 RPM, premium efficiency, 184T frame	Transformer (480 X 115) 3000 VA	Contactor - 5 HP @ 460 VAC(120V COIL)-9 Amp	Motor Protector - (2.5-4 Amps) 140M-D to 100C09...C23	Lugs Included	Fuseholder-Class M 13632 x 1 1/2 (2 poles)	Fuses (1/4 X 1) 30 Amp	Fuses (1/4 X 1) 10 Amp	Fuseholder-Series 8000 1/4 x 1	Switch, Service Light, 20 A

SYMBOLS

- - FACTORY CONNECTION
- - FIELD CONNECTION
- - FACTORY WIRING
- - WIRING BY OTHERS
- ▽ - COMPONENT WIRE NUMBER
- *** - OPTIONAL CONTROL BY OTHERS REMOVE JUMPER WIRE BEFORE INSTALLING

NOTE: WIRE COLORS

- BLACK - HIGH VOLTAGE (480)
- RED - 115 VAC LOAD AND CONTROL
- YELLOW - 24 VAC
- WHITE - NEUTRAL
- GREEN - GROUND

TITLE	KRAFT NTPA-49-0408
DATE	4-1-02
SCALE	GRT
BY	CHOD
CHECKED BY	N.S.
REV. NO.	

WINCHESTER, VA

HYPERCO

EVISONS



EVAPCO, INC.
1234 Brady Boulevard
Owatonna, Minnesota 55060

Telephone: 507-446-8005
Facsimile: 507-446-8239
E-mail: evapcomn@evapcomn.com

Project Name: KRAFT FOODS - DOCK AREA UNIT AU-34

Model Number: NTPA-49-0408-SP

Serial Number: I029420

EVAPCO® STANDARD WARRANTY

The subject unit (s) is warranted against failure caused by defects in materials and workmanship for one-year from the date of start-up, but not to exceed eighteen (18) months from the date of shipment. The evaporator warranty includes all structural components, coil, hot gas coil and pan (if supplied), electric motors, shafts, bearings, pulleys, mechanical equipment supports, fan belts, fans, fan screens and their support, and electrical components.

In addition to the unit warranty above, EVAPCO warrants the thermal performance of the unit as shown on the certified drawings delivered to the customer for a period of one-year from the date installation is completed in accordance with good engineering practices, but in no event shall such warranty period exceed eighteen (18) months from the date the unit is shipped by EVAPCO. If after installation and start-up there is any question regarding thermal performance of the equipment, at the owner's request EVAPCO will send its engineers to the jobsite to conduct a performance test. This test may be observed by the owner and the consulting engineer or by their authorized representatives. If the results of the evaluation show the equipment to be deficient, EVAPCO will make the necessary repairs or alterations to correct the deficiency at no cost to the owner. If the equipment is found to be performing in accordance with its certified drawings, the owner will reimburse EVAPCO for all direct expenses incurred in connection with such performance test.

All other expenses or implied warranties of any kind whatsoever, including without limitation any warranties of merchantability or that the unit and equipment are fit for any particular purpose and any warranties that might otherwise arise out of a course of dealing between the parties or usage of trade, are hereby excluded. The sole remedy for breach of the warranties set out above shall be repair or replacement of the equipment by EVAPCO at its option. Under no circumstances shall EVAPCO be liable for lost profits, lost savings, personal injuries, incidental damages, economic loss, property damage, or other consequential, incidental, special or contingent damages. Even if EVAPCO has been advised of the possibility of such damages. In addition, EVAPCO shall not be responsible for any injuries or damages of any kind whatsoever under any theory of tort to the extent caused by misuse of the product by buyer or any third party.