

Long-seller models with cast steel casing as standard. Acclaimed 4x6 rotor lobes ensure optimal performance.

## Screw Compressor [Single Stage] Open Type UD SERIES

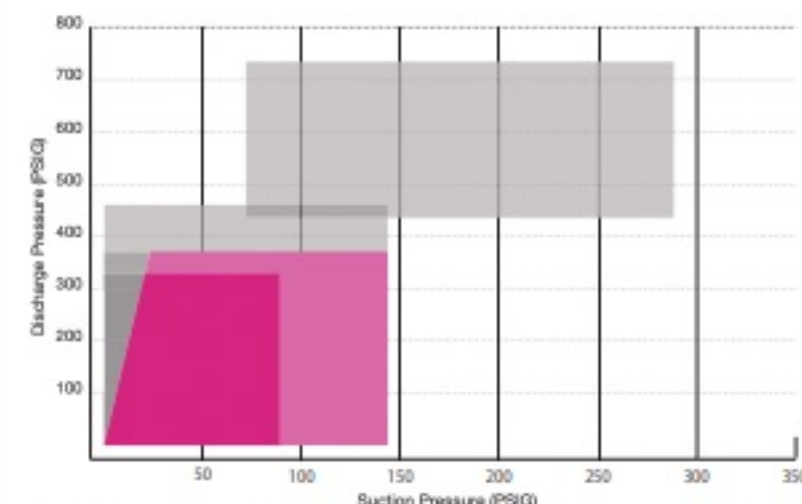


### Wide-Capacity Range

A lineup of high-capacity compressors with a displacement from 116 ~ 9182 CFM\*, which is not available in the SCV series.

\* With a 2 pole direct drive motor.

### Operating Pressure Range



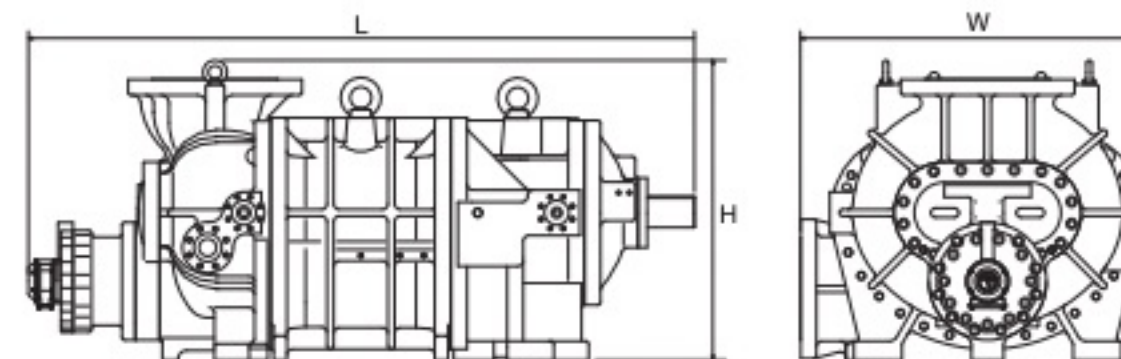
\* For reference only. \*\* Greyed areas indicate pressure ranges of other models.

### API619

Cast steel casing with ductile iron rotors (125 to 400LUD models) is the standard. Forged steel rotors, tilting pad thrust bearings and other API619 compliant options are available.

\* Cast iron casings are available for 125 and 400 UD models. Please consult Mayekawa for ductile iron casings option.

### Swept Volumes, Dimensions & Weight



\* The outer dimension drawings illustrate the model 400LUD.

	Theoretical Displacement				Dimensions			Weight	
	50Hz		60Hz		W in (mm)	L in (mm)	H in (mm)	Cast Steel lbs (kg)	Cast Iron lbs (kg)
	CFM	m <sup>3</sup> /h	CFM	m <sup>3</sup> /h					
125SUD	116	197	139	237	16 (404)	33 (846)	15 (386)	485 (220)	441 (200)
125LUD	174	295	210	356	16 (404)	36 (916)	15 (386)	529 (240)	485 (220)
160SUD	244	415	294	499	19 (470)	41 (1029)	17 (431)	782 (355)	706 (320)
160MUD	305	519	367	624	19 (470)	42 (1074)	17 (431)	882 (400)	794 (360)
160LUD	366	622	441	749	19 (470)	44 (1119)	17 (431)	970 (440)	882 (400)
200SUD	477	810	574	975	26 (657)	47 (1201)	21 (540)	1455 (660)	1323 (600)
200MUD	600	1020	718	1220	26 (657)	50 (1258)	21 (540)	1588 (720)	1433 (650)
200LUD	712	1210	859	1460	26 (657)	52 (1313)	21 (540)	1698 (770)	1544 (700)
250SUD	930	1580	1118	1900	31 (789)	55 (1397)	26 (655)	2580 (1170)	2337 (1060)
250MUD	1165	1980	1401	2380	31 (789)	58 (1469)	26 (655)	2778 (1260)	2514 (1140)
250LUD	1389	2360	1672	2840	31 (789)	61 (1537)	26 (655)	2911 (1320)	2646 (1200)
320SUD	1866	3170	2248	3820	39 (996)	71 (1798)	34 (861)	4939 (2240)	4476 (2030)
320MUD	2331	3960	2802	4760	39 (996)	74 (1886)	34 (861)	5468 (2480)	4961 (2250)
320LUD	2790	4740	3355	5700	39 (996)	78 (1973)	34 (861)	5821 (2640)	5292 (2400)
320LLUD	3295	5600	3966	6740	39 (996)	79 (2018)	34 (861)	7563 (3430)	6858 (3110)
400SUD	3814	6480	4591	7800	51 (1290)	83 (2109)	44 (1120)	11907 (5400)	11709 (5310)
400MUD	4791	8140	5768	9800	51 (1290)	90 (2275)	44 (1120)	13892 (6300)	13583 (6160)
400LUD	5709	9700	6886	11700	51 (1290)	98 (2491)	44 (1120)	15876 (7200)	15457 (7010)
400LLUD	6769	11500	8122	13800	51 (1290)	103 (2613)	44 (1120)	17750 (8050)	17221 (7810)
400XLUD	7593	12900	9182	15600	51 (1290)	107 (2716)	44 (1120)	19850 (8880)	-
400XXLUD **	-	-	-	-	-	-	-	-	-

### Specifications

Item	Model *1	125		160		200			250			320				400							
		SUD	LUD	SUD	MUD	LUD	SUD	MUD	LUD	SUD	MUD	LUD	SUD	MUD	LUD	LLUD	SUD	MUD	LUD	LLUD	XLUD	XXLUD <sup>5</sup>	
Working Fluid		Hydrocarbons and other gas Propane, Propylene / HFCs / Ammonia																					
Minimum rotation speed	rpm	1450 <sup>2</sup>																					
Maximum rotation speed	rpm	4500 <sup>2</sup>											3600 <sup>2</sup>										
Rotation direction		CCW, viewed from motor																					
Capacity control	%	100-10 <sup>3</sup>																					
Gas inlet port		ANSI #300 4" <sup>4</sup>	ANSI #300 5"	ANSI #300 6"	ANSI #300 10"	ANSI #300 14"	ANSI #300 16"																
Gas outlet port		ANSI #300 3" <sup>4</sup>	ANSI #300 3"	ANSI #300 5"	ANSI #300 6"	ANSI #300 8"	ANSI #300 12"																

\* 1. Please contact us separately for 125 models with a designation ending with G (downward discharge).

\* 2. The range of rotation speed varies by operating conditions. Please refer to the ranges of use stated in the operating instructions.

\* 3. The minimum value of capacity control varies by operating conditions and models.

\* 4. MYCOM flanges for iron casing models. \* 5. Please contact us for information on 400XXLUD.

\* Please contact us separately for 125 models with a designation ending with G (downward discharge). \*\* Cast steel casing is not available for 250LLUD.

\*\*\* Please consult us for further details. \*\*\*\* Please contact us for information on 400XXLUD.