



S70-115.3 SPL/DEC 83

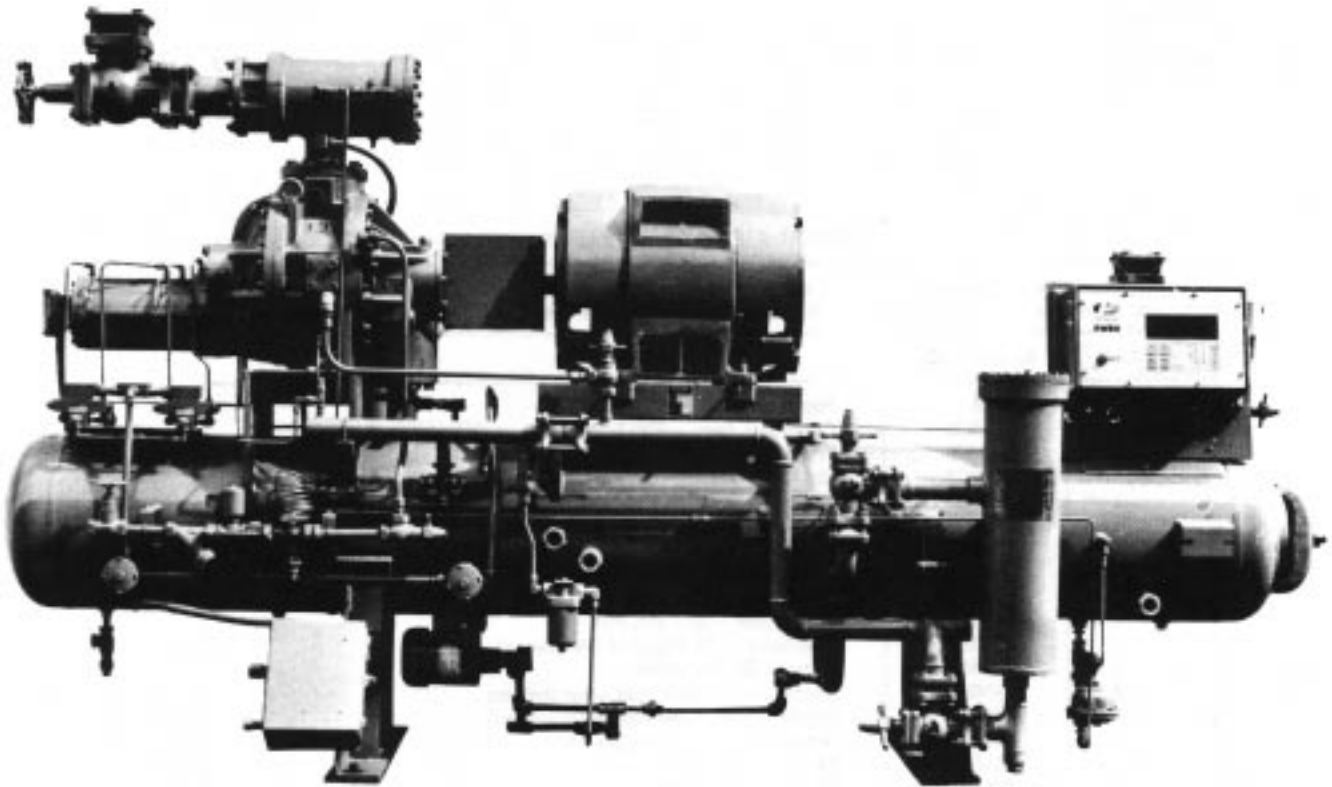
File:  
Replaces:  
Dist:

SERVICE MANUAL - Section 70  
Nothing (New Information)  
3, 3a, 3b, 3c

# SERVICE PARTS LIST

## FRICK ROTARY SCREW COMPRESSOR UNITS

SERIES: RWB II -177 and -222



**SERVICE PARTS LIST  
ROTARY SCREW COMPRESSOR UNITS  
RWB II -177 and -222**

**HOW TO USE SERVICE PARTS LIST**

This service parts list provides identification of Frick RWB II Rotary Screw Compressor Unit detail parts by stock number, part number, nomenclature and illustration. To determine correct replacement part, locate part on exploded view, note index number, refer to corresponding index number in parts list for stock number, part number and nomenclature. Usage codes indicate unit for which the replacement part may be used, Deviations, modifications and conversions are not taken into consideration.

**TABLE OF CONTENTS**

Rotary Screw Compressor Unit	Page(s) 3 thru 6
Rotary Screw Compressor	7 thru 9
Slide Valve and Control	10 and 11
Movable Slide Stop Indicator	12
Oil Separator and Liquid Level Switch	13
Microprocessor Panel	14
Power Supply Junction Box	15
Pre-Lube Oil Pump	16
Liquid Injection	17
Dual Oil Filter	18
Full Lube Oil Pump	18 and 19
Oil Cooler	20 and 21
Numerical	22 and 23

**RECOMMENDED SPARE PARTS**

The quantity of spare parts recommended is based on one (1) compressor unit - when stocking for more than one unit, the quantity should be adjusted to meet your individual requirement.		
QTY	STOCK NO.	NOMENCLATURE
1	040165	Potentiometer
1	040509	Computer Assy - Single Board
1	068896	Power Supply
1	280803	Module - Analog Input
2	280805	Module - Output
2	280806	Module - Input
1	280810	Relay - Solid State
1	280818	Probe - Temperature
1	280851	Transducer - 0 - 85.3 PSI
1	280852	Transducer - 0 - 300 PSI
1	450458	Regulator - Oil Pressure Differential
2	450466	Filter - Oil, 1 5 Micron
2	451030	Heater - Oil, 120V (per your system)
	451032	Heater - Oil, 220V (per your system)
1	451343	Valve - Solenoid, Double "A"
1	451540	Seal - Shaft
5	451543	Fuse - 5 Amp, Pico
FOR UNITS WITH LIQUID INJECTION		
1	451126	Valve Kit (Solenoid Valve, Strainer and Pressure Regulator)
1		Valve - Expansion (check sales order for number)

SERVICE PARTS LIST  
 ROTARY SCREW COMPRESSOR UNITS  
 RWB II -177 and -222

LIST and INDEX	STOCK NUMBER	PART NUMBER	NOMENCLATURE	USAGE CODE	QTY		Per
					ASSY	UNIT	
1	040676	535E0003G80	Unit Assy - RW8 11-177, Ammonia				REF
	040677	535E0003685	Unit Assy - RWB 11-177, Halocarbon				REF
			Unit Assy - RWB 11-222, Ammonia				REF
			Unit Assy - RWB 11-222, Halocarbon				REF
- 1	013753	58000063G02	- Valve - Suction, 6" Ammonia		1		1
	013755	58000064G02	- Valve - Suction, 6" Halocarbon		1		1
			ATTACHING PARTS				
	540092	902A0002H08	- Nut - Hex., 3/4		24		24
	740468	901A0047A14	- Bolt - Hex. Hd, 3/4 x 4-1/2 ***		24		24
- 2	013746	580D0060G01	- Valve - Discharge, 5" Ammonia		1		1
	013748	58000059G01	- Valve - Discharge, 5" Halocarbon		1		1
			ATTACHING PARTS				
	540092	902A0002H08	- Nut - Hex., 3/4		16		16
	060128	901A0021H07	- Stud - 3/4 x 3-1/2 (Valve to Adapter)		8		8
	740468	901A0047A14	- Bolt - Hex. Hd, 3/4 x 4-1/2 (Valve to Flange)		8		8
- 3	040671	535E0003G40	- Oil Pump Instl - Pre-Lube (See List 8 for Details)				REF
- 4	040274	535C0009G01	- Liquid Injection Instl (See List 9 for Details)				REF
	040674	535E0003G02	- Package Assy - RWB II -177				REF
	040675	535E0003G03	- Package Assy - RWB II -222				REF
- 5	019201	959A0024H02	- Gasket - Suction Valve		2		2
- 6	450444	957A0003H02	- Valve - Angle, 3/8 MPT x 3/8 FPT		1		1
- 7	040616	535A0034G01	- Adapter - Suction Valve to Check Valve		1		1
			ATTACHING PARTS				
	110636	901A0047A17	- Capscrew - Hex. Hd, 3/4 x 6 ***		8		8
- 8	046457	959A0005H12	- Gasket - Adapter to Check Valve		2		2
- 9	450758	956A0009P06	- Valve - Check, 6		1		1
- 10	040623	535C0036G01	- Trap Assy - Suction, RWB II -177				
	040624	535C0037G01	- Trap Assy - Suction, RWB II -222		1		1
			ATTACHING PARTS				
	740741		- Capscrew - Soc Hd, M20 x 60 *		8		8
- 11	046165	531A0011H01	- - - Cover - Suction Trap		1		1
			ATTACHING PARTS				
	740509		- - - Capscrew - Soc Hd, 1/2 x 1-3/4		12		12
- 12	046167	531A0012H01	- - - Gasket - Suction Trap Cover		1		1
- 13	040625	535C0038G01	- - - Screen Assy - Suction Trap		1		1
- 14	048575	959A0005H33	- - - Gasket - Suction Screen		1		1
- 15	046457	959A0005H12	- Gasket - Trap to Compressor, RWB II -177		1		1
	046168	959A0005H13	- Gasket - Trap to Compressor, RWB II -222		1		1
- 16	040660	534E0040G01	- Compressor Assy - TDS 2313, RWB II -177 (See List 2 for Details)		1		1
	040659	534E0014G01	- Compressor Assy - TDS 2317, RWB II -222 (See List 2 for Details)				
			ATTACHING PARTS				
	540103	902A0002H10	- Nut - Hex., 1		4		4
	940030		- Washer - Lock, 1		4		4
	740758	901A0049A11	- Bolt - Hex. Hd, 1 x 3-1/2		4		4
	451352	903A0002H22	- Pin - Tapered		2		2
	740741		- Capscrew - Soc Hd, 20M x 60* (Separator)		12		12

SERVICE PARTS LIST  
ROTARY SCREW COMPRESSOR UNITS  
RWB II -177 and -222

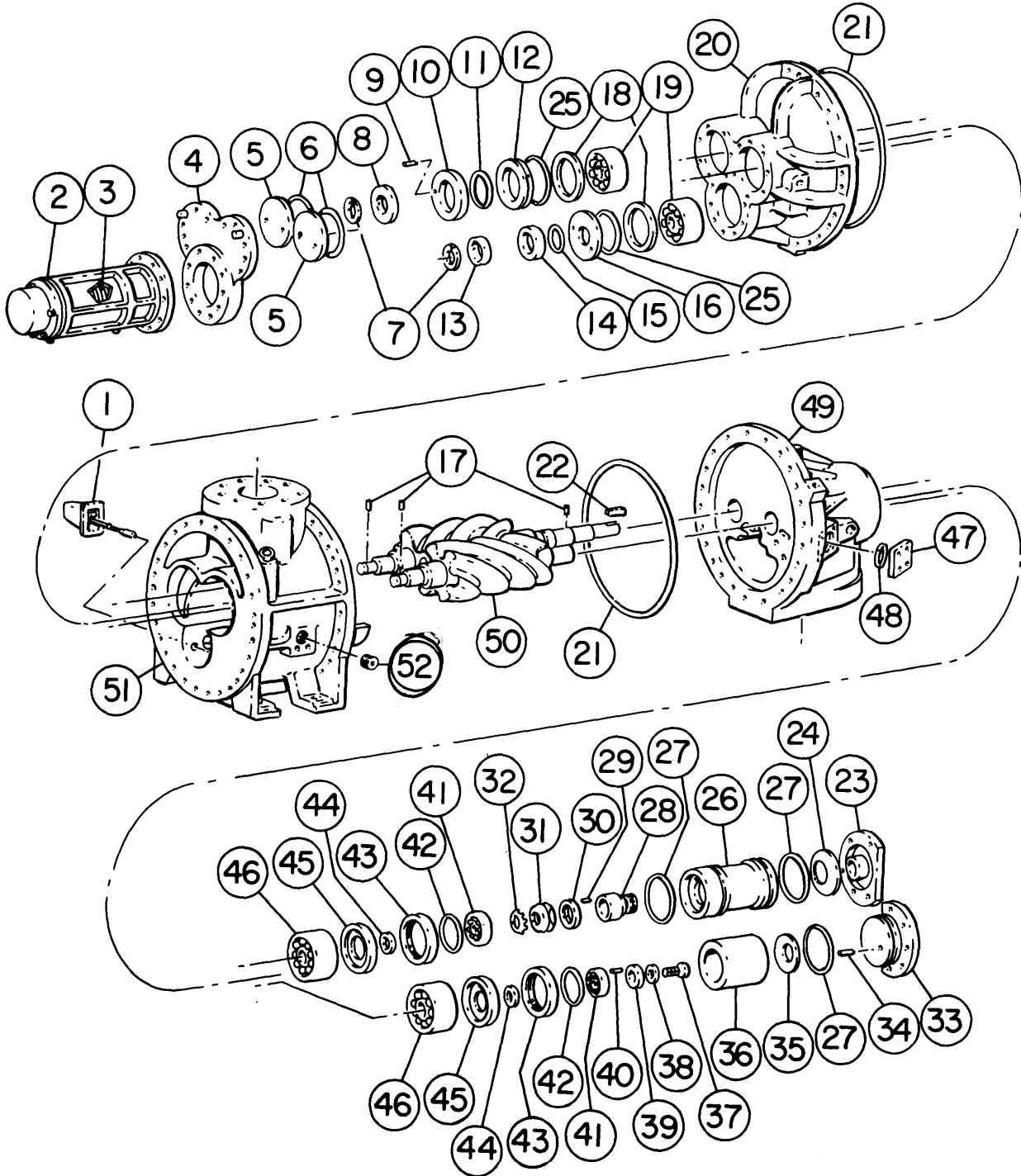
LIST and INDEX	STOCK NUMBER	PART NUMBER	NOMENCLATURE	USAGE CODE	QTY Per	
					ASSY	UNIT
- 17	048302	959A0005H32	- - Gasket - Compressor to Separator		1	1
- 18	019200	959A0024H01	- - Gasket - Discharge Valve		2	2
- 19	049173	531C0142H01	- - Adapter - Discharge to Check Valve		1	1
	110635	901A0047A16	ATTACHING PARTS - - Capscrew - Hex. Hd, 3/4 x 5-1/2		8	8
- 20	049368	959A0005H31	- - Gasket - Adapter and Check Valve		2	2
- 21	450766	956A0010P05	- - Valve - Check, 5"		1	1
- 22	014026	580C0131G13	- - Valve/Manifold - Safety		1	1
	013443	580C0069G300	- - - Valve - Safety, 300 AFS		2	2
	014027	580C0131G50	- - - Manifold - Valve		1	1
- 23	049976	53500002G01	- - Manifold and Bracket - Transducer		1	1
	V30094		ATTACHING PARTS - - Capscrew - Hex. Hd, 1/4 x 5/8		4	4
	940006		- - Washer - Lock, 1/4 ***		4	4
- 24	451354	535C0013H01	- - - Cover - Transducer Manifold		1	1
	740156		ATTACHING PARTS - - - Mach Screw - Rd Hd, No. 10 x 1/2		4	4
- 25	040258	535A0012H01	- - - Gasket - Manifold Cover		1	1
- 26	280852		- - - Transducer - Pressure, 300 PSI		2	2
- 27	280852		- - - Transducer - Pressure, 300 PSI (W/Full Lube OPT)		1	1
- 28	280851		- - - Transducer - Pressure, 85.3 PSI		1	1
- 29	008794	957A0003H01	- - - Valve - Angle, 1/4 MPT x 1/4 Fpt		7	7
- 30	040257	535C0012H01	- - - Manifold - Transducer		1	1
	V30155		ATTACHING PARTS - - - Capscrew - Hex. Hd, 1/4 x 7/8		4	4
	940006		- - - Washer - Lock, 1/4 ***		4	4
- 31	040259	535A0013H01	- - - Bracket - Manifold		1	1
- 32	040207	649E0110G01	- - Panel - Microprocessor (See List 6 for Details)		1	1
- 33	013710	58000047G02	- - Valve - Angle, 1/2		1	1
- 34	451250	950A0019H01	- - Strainer - 1/2		1	1
- 35	450507	953A0012H01	- - Trap - Float, 1/2		1	1
- 36	450444	957A0003H02	- - Valve - Angle, 3/8 MPT x 3/8 FPT		2	2
- 37	008794	957A0003H01	- - Valve - Angle, 1/4 MPT x 1/4 FPT		1	1
- 38	049983	535C0014G01	- - Filter Assy - Oil		1	1
- 39	046244	531A0026H01	--- Cover - Oil Filter		1	1
	110240	944A0045A06	ATTACHING PARTS - - - Capscrew - Hex. Hd, 1/2 x 1-3/4		12	12
- 40	046203	531A0020H01	- - - Gasket - Filter Cover		1	1
- 41	046243	531A0027H01	- - - Retainer - Filter		1	1
	540006	902A0002H01	ATTACHING PARTS - - - Nut - Hex., 1/4		3	3
	940045		- - - Washer - Flat, 1/4 ***		3	3

SERVICE PARTS LIST  
 ROTARY SCREW COMPRESSOR UNITS  
 RWB II -177 and -222

LIST and INDEX	STOCK NUMBER	PART NUMBER	NOMENCLATURE	USAGE CODE	QTY Per	
					ASSY	UNIT
- 42	450466	531A0028H01	- - - Filter - 15 Micron		2	2
- 43	013625	58000019G02	- - Valve - Angle, 2		2	2
			ATTACHING PARTS			
	540085	902A0002H07	- - Nut - Hex., 5/8		8	16
	110311	901A0046A11	- - Capscrew - Hex. Hd, 5/8x 3-1/2		8	16
- 44	018267	959A0001H07	- - Gasket - Valve Flange		4	4
- 45	450866	956A0012G01	- - Valve - Inline Check, 2 (Attaching Parts and Gaskets included)		1	1
- 46						
- 47	451030	913A0047H01	- - Heater - Oil, 500W - 120V		2	2
- 48	040209	649D1000G01	- - Junction Box - Power Supply (See List 7 for Details)		1	1
- 49	013709	58000047G01	- - Valve - Globe, 1/2 (Separator Drain)		2	2
- 50	013710	58000047G02	- - Valve - Angle, 1/2 (Oil Charging)		1	1
- 51	008794	957A0003H01	- - Valve - Angle, 1/4 MPT x 1/4 FPT		8	8
- 52	451343	951A0051H01	- - Control Valve - Double "A" Solenoid		2	2
			ATTACHING PARTS			
	540006	902A0002H01	- - Nut - Hex., 1/4		2	4
	940006		- - Washer - Lock, 1/4		2	4
	740751		- - Bolt - Soc Hd, 1/4 x 3/4 ***		2	4
- 53	040613	54800271G01	- - Separator Assy - Oil (See List 5 for Details)		1	1



SERVICE PARTS LIST  
ROTARY SCREW COMPRESSOR UNITS  
TDS 2213 and 2217



SERVICE PARTS LIST  
ROTARY SCREW COMPRESSOR UNITS  
TDS 2213 and 2217

LIST and INDEX	STOCK NUMBER	PART NUMBER	NOMENCLATURE	USAGE CODE	QTY Per	
					ASSY	UNIT
2 -	040660	534E0040G01	Compressor Assy - Rotary Screw, TDS 2313			REF
	040659	534E0014G01	Compressor Assy - Rotary Screw, TDS 2317			REF
- 1	040656	534C0C196G03	- Indicator Instl - Movable Slide Stop (See List 4 for Details)		1	1
- 2	040657	534C0124G01	- Control Instl - Slide Valve, TDS 2313 (See List 3 for Details)		1	1
	040658	534C0124602	- Control Instl - Slide Valve, TDS 2317 (See List 3 for Details)		1	1
- 3	040652	534E0039G01	- Cylinder Assy - Slide Valve, TDS 2313 (See List 3 for Details)		1	1
	040653	534E0041G01	- Cylinder Assy - Slide Valve, TDS 2317 (See List 3 for Details)		1	1
			ATTACHING PARTS			
	740739		- Capscrew - Soc Hd, Ml 2 x 45		4	4
	740738		- Capscrew - Soc Hd, M 12 x 90 ***		8	8
- 4	040337	53400080C01	- Cover - Suction Housing		1	1
			ATTACHING PARTS			
	740739		- Capscrew - Soc Hd, M 12 x 45 ***		10	10
- 5	040344	53400089C01	- Cover - Bearing/Balance Piston		2	2
- 6	451267		- O-Ring - Cover		2	2
- 7	451372	53480014H06	- Retainer - Balance Piston		2	2
- 8	040333	534C0110H01	- Piston - Balance, Male Rotor		1	1
- 9	451327	534A0037H02	- Pin - Dowel, 5 M 6 x 12		2	2
- 10	040332	534CO106C01	- Sleeve - Balance Piston, Male Rotor		1	1
- 11	451261		- O-Ring - Piston Sleeve, Male Rotor		1	1
- 12	040389	53460108H01	- Spacer - Piston Sleeve, Male Rotor		1	1
- 13	040334	534C0111H01	- Piston - Balance, Female Rotor		1	1
- 14	040388	534C0107C01	- Sleeve - Balance Piston, Female Rotor		1	1
- 15	451542		- O-Ring - Piston Sleeve, Female Rotor		1	1
- 16	040390	534C0109H01	- Spacer - Piston Sleeve, Female Rotor		1	1
- 17	451623	534A0037H12	- Pin - Dowel, 5H 8 x 10		3	3
- 18	451371	534B0014H05	- Retainer - Bearing		2	2
- 19	451240	534B0004H04	- Bearing Assy - Roller, Straight		2	2
- 20	040269	534E0019C01	- Housing - Suction		1	1
			ATTACHING PARTS			
	740744		- Capscrew - Soc Hd, Ml 6 x 65		28	28
	451612	534A0037H07	- Pin - Dowel, 20 M6 x 70		1	1
	451629	53480115H01	- Pin - Dowel, 20 M6 x 70 (Diamond)		1	1
- 21	451627		- O-Ring - Suction and Discharge Housing		2	2
- 22	040383	534A0068H01	- Key - Shaft		1	1
- 23	040581	53400129C01	- Cover - Seal Housing		1	1
			ATTACHING PARTS			
	740723		- Capscrew - Soc Hd, M12 x 55 ***		6	6
- 24	451614	53480102H06	- Washer - Spring		1	1
- 25	451269		- O-Ring		2	2
- 26	040582	53400127C01	- Spacer - Seal Housing		1	1
- 27	451252		- O-Ring - Seal Housing Spacer and Bearing Cover		3	3
- 28	451540	53480109H03	- Seal Assy - Shaft		1	1
- 29	451613	534ACN138H08	- Pin - Roll, 1/4 x 5/8		1	1
- 30	040384	53480075H01	- Ring - Seal Distant		1	1



SERVICE PARTS LIST  
 ROTARY SCREW COMPRESSOR UNITS  
 TDS 2213 and 2217

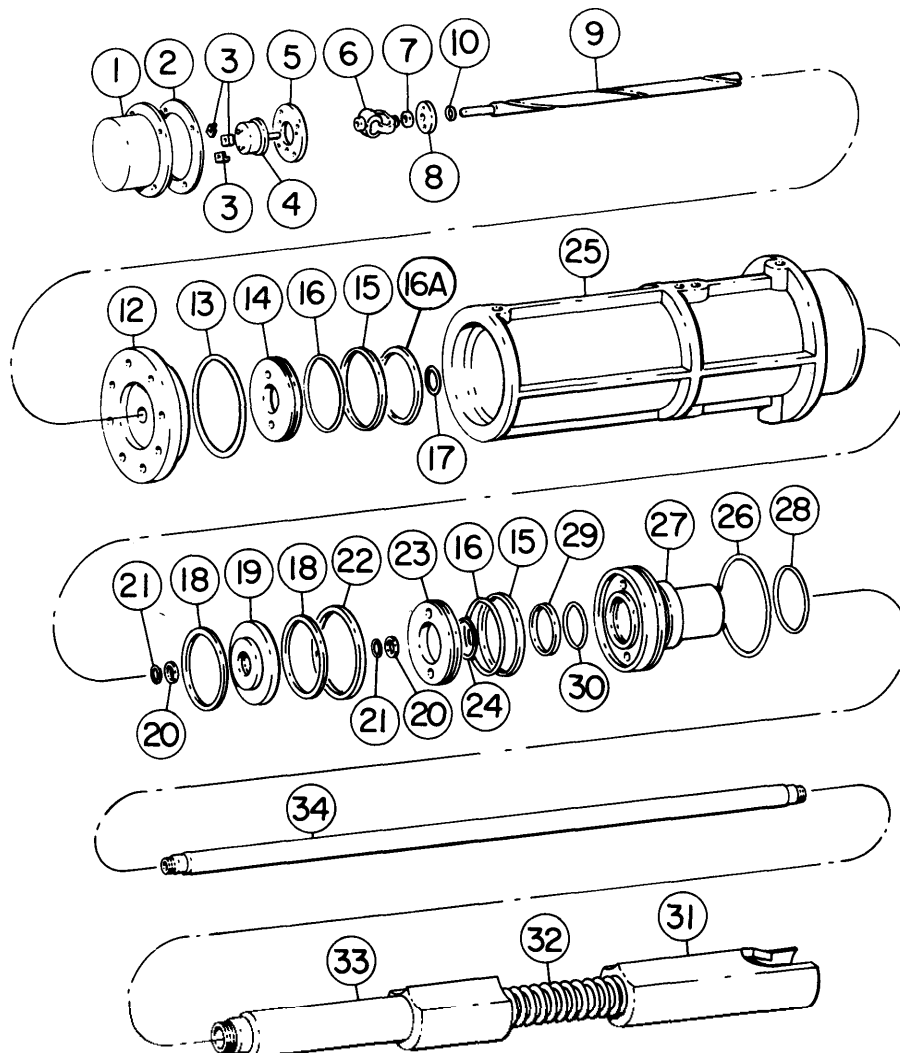
LIST and INDEX	STOCK NUMBER	PART NUMBER	NOMENCLATURE	USAGE CODE	QTY Per	
					ASSY	UNIT
- 3 1	540230	534A0035H05	- Nut - Lock		1	1
- 3 2	940140	534A0036H05	- Washer - Lock		1	1
- 3 3	040392	534C0113C01	- Cover - Bearing		1	1
	740739		ATTACHING PARTS			
			- Capscrew - Soc Hd, M1 2 x 45***		6	6
- 3 4	992242	534A0038H05	- Pin - Roll, 1/8 x 1/2		1	1
- 3 5	451615	53480102H07	- Washer - Spring		1	1
- 3 6	040393	534C0114H01	- Spacer - Bearing Housing		1	1
- 3 7	740761	534A0076H02	- Capscrew - Soc Hd, 3/4 x 2 1/2		1	1
- 3 8	040523	53480103H01	- Washer		1	1
- 3 9	040585	534C0171H01	- Retainer - Bearing		1	1
- 4 0	451626	534A0037H15	- Pin - Dowel, 10H8 x 45			
- 4 1	451462	53480101H04	- Bearing Assy - Ball		2	2
- 4 2	450630		- O-Ring - Bearing to Sleeve		2	2
- 4 3	040584	534C0169H01	- Sleeve - Bearing		2	2
- 4 4	040586	534C0170H01	- Spacer - Bearing, Inboard		2	2
- 4 5	040583	534C0168H01	- Spacer - Bearing		2	2
- 4 6	451460	53480004H11	- Bearing Assy - Roller		2	2
- 4 7	040580	53480051C01	- Cap - Vapor Injection		1	1
	740737		ATTACHING PARTS			
			- Capscrew - Soc Hd, M16 x 50***		4	4
- 4 8	018266	959A0003H05	- Gasket - Cap		1	1
- 4 9	040347	534E0035C01	- Housing - Discharge		1	1
	740744	534A0037H07	ATTACHING PARTS			
	740736	534B0115H01	- Capscrew - Soc Hd, M 16 x 65		22	22
	451612		- Capscrew - Soc Hd, M16 x 90		6	6
	451629		- Pin - Dowel, 20 M6 x 70		1	1
			- Pin - Dowel, 20 M6 x 70 (Diamond)***		1	1
- 5 0	040014	534A0066G01	- Rotor Assy - TDS 2213		1	1
	040017	534A0067G01	- Rotor Assy - TDS 2217		1	1
- 5 1	040346	53400130G01	- Rotor Housing and Slide Valve Guide Assy - TDS 2213		1	1
	040345	53400130G02	- Rotor Housing and Slide Valve Guide Assy - TDS 2217		1	1
- 5 2		?				

SERVICE PARTS LIST  
ROTARY SCREW COMPRESSOR UNITS  
SLIDE VALVE and CONTROL

LIST and INDEX	STOCK NUMBER	PART NUMBER	NOMENCLATURE	USAGE CODE	QTY Per	
					ASSY	UNIT
3 -	040657	534C0124G01	Control Instl - Slide Valve, TDS 2213			REF
- 1	040658	534C0124602	Control Instl - Slide Valve, TDS 2217			REF
	451335	53480062C01	- Cover - Control		1	1
			ATTACHING PARTS			
	740566	901A0085H01	- Capscrew - Soc Hd, M6 x 18		4	4
	940129		- Washer - Lock, M6 ***		4	4
- 2	040202	534A0046H01	- Gasket - Control Cover		1	1
- 3	451314		- Clamp - Servo		3	3
- 4		*534B0501H01	- Potentiometer (Capscrews Included)		1	1
- 5	040131	534C0072H01	- Plate - Potentiometer Mounting		1	1
			ATTACHING PARTS			
	740729		- Capscrew - Hex. Hd, M5 x 60		4	4
	040132	534C0072H02	- Support - Mounting Plate ***		4	4
- 6	451313		- Coupling - Flex		1	1
- 7	451312		- Ring - Retainer		1	1
- 8	040647	53480112H01	- Retainer		1	1
			ATTACHING PARTS			
	740768		- Capscrew - Soc Hd, M5 x 16		4	4
	940141		- Washer - Lock M5 ***		4	4
- 9	451374	534C0123H01	- Shaft - Potentiometer, TDS 2313		1	1
	451375	534C0123H02	- Shaft - Potentiometer, TDS 2317		1	1
- 10	451622	980A0012A62	- O-Ring - Shaft		1	1
- 11			- Not Used			
	040652	534E0039G01	Cylinder Assy - Slide Valve, TDS 2213			REF
	040653	534E0041G01	Cylinder Assy - Slide Valve, TDS 2217			REF
- 12	040399	53400096C01	- Cover - Cylinder		1	1
			ATTACHING PARTS			
	740723		- Capscrew - Soc Hd, M12x55 ***		8	8
- 13	451618	980A0012892	- O-Ring - Cylinder Cover		1	1
- 14	040396	534C0117C01	- Piston - Slide Valve		1	1
			ATTACHING PARTS			
	549228	534A0035H06	- Nut - Lock		1	1
	940138	534A0036H06	- Washer - Lock ***		1	1
- 15	451370	53460187H03	- Glyd Ring - Slide Valve and Movable Slide Stop Piston		2	2
- 16	451621	980A0012H70	- O-Ring - Slide Valve and Movable Slide Stop Piston		2	2
- 16 A	451611	534B0079H01	- Slyd Ring - Slide Valve Piston		1	1
- 17	451359		- O-Ring - Slide Valve Piston to Spindle		1	1
- 18	451373	534B0014H07	- Retainer - Cylinder Bulkhead		2	2
- 19	040398	534C0119C01	- Bulkhead - Cylinder		1	1
- 20	451368	534B0CC6H04	- Glyd Ring - Bulkhead and Movable Slide Stop, Center		2	2
- 21	451620	980A0012H36	- O-Ring - Bulkhead and Movable Slide Stop, Center		2	2
- 22	451617	980A0012893	- O-Ring - Bulkhead to Cylinder		1	1
- 23	040397	534C0118C01	- Piston - Movable Slide Stop		1	1
			ATTACHING PARTS			
	540229	534A0035H07	- Nut - Lock		1	1
	940139	534A0036H07	- Washer - Lock ***		1	1
			* Use Service Kit 534D0523G02 when replacing Mavey Potentiometer 451310			

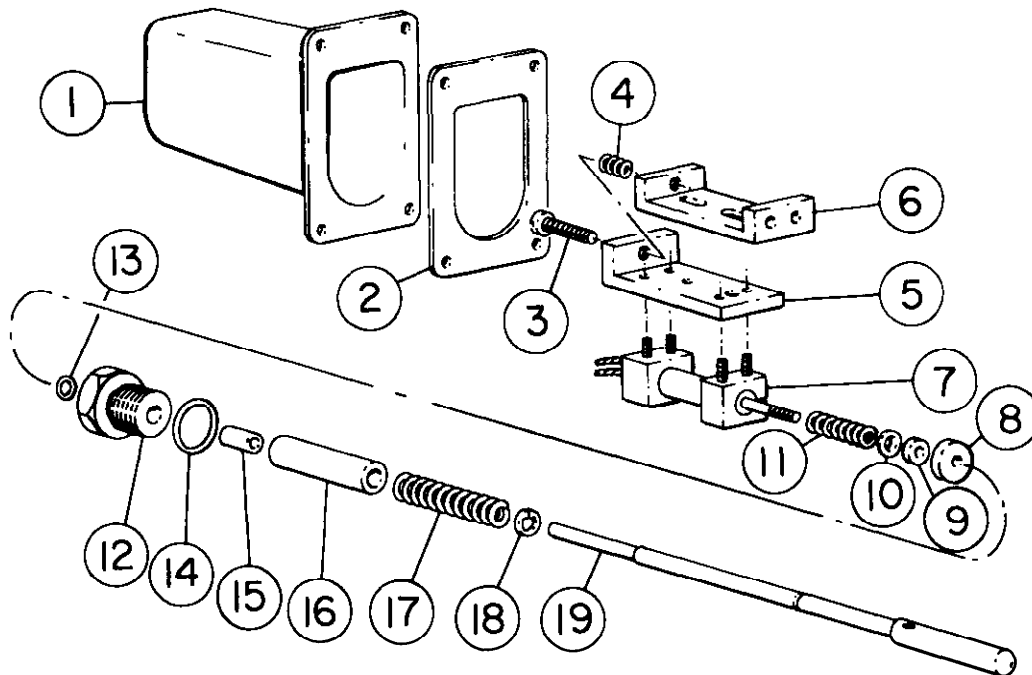
SERVICE PARTS LIST  
 ROTARY SCREW COMPRESSOR UNITS  
 SLIDE VALVE and CONTROL

LIST and INDEX	STOCK NUMBER	PART NUMBER	NOMENCLATURE	USAGE CODE	QTY Per	
					ASSY	UNIT
- 2 4	451616	980A0012B02	- O-Ring - Movable Slide Stop Piston to Stop		1	1
- 2 5	040336	53400079C01	- Cylinder - Slide Valve		1	1
- 2 6	451619	980A0012897	- O-Ring - Cylinder to Movable Slide Stop Guide		1	1
- 2 7	040343	53400088C01	- Guide - Movable Slide Stop		1	1
- 2 8	451261		- O-Ring Movable Slide Stop Guide to Suct. Housing		1	1
- 2 9	451369	53480006H05	- Glyd Ring- Movable Slide Stop to Guide		1	1
- 3 0	450329		- O-Ring - Movable Slide Stop to Guide		1	1
- 3 1	040338	53400082C01	- Valve - Slide, TDS 2213		1	1
	040339	53400083C01	- Valve - Slide, TDS 2217		1	1
			ATTACHING PARTS			
	540228	534A0035H06	- Nut - Lock		1	1
	940138	534A0036H06	- Washer - Lock		1	1
			***			
- 3 2	451366	534B0080H01	- Spring - Slide Valve, TDS2213		1	1
	451367	53480081H01	- Spring - Slide Valve, TDS2217			
- 3 3	040341	53400085C01	- Stop - Movable Slide, TDS 2213		1	1
	040340	53400084C01	- Stop - Movable Slide, TDS 2217			
- 3 4	040645	53460120G01	- Spindle Assy - Slide Valve, 2213		1	1
	040646	534C0120G02	- Spindle Assy - Slide Valve, 2217			



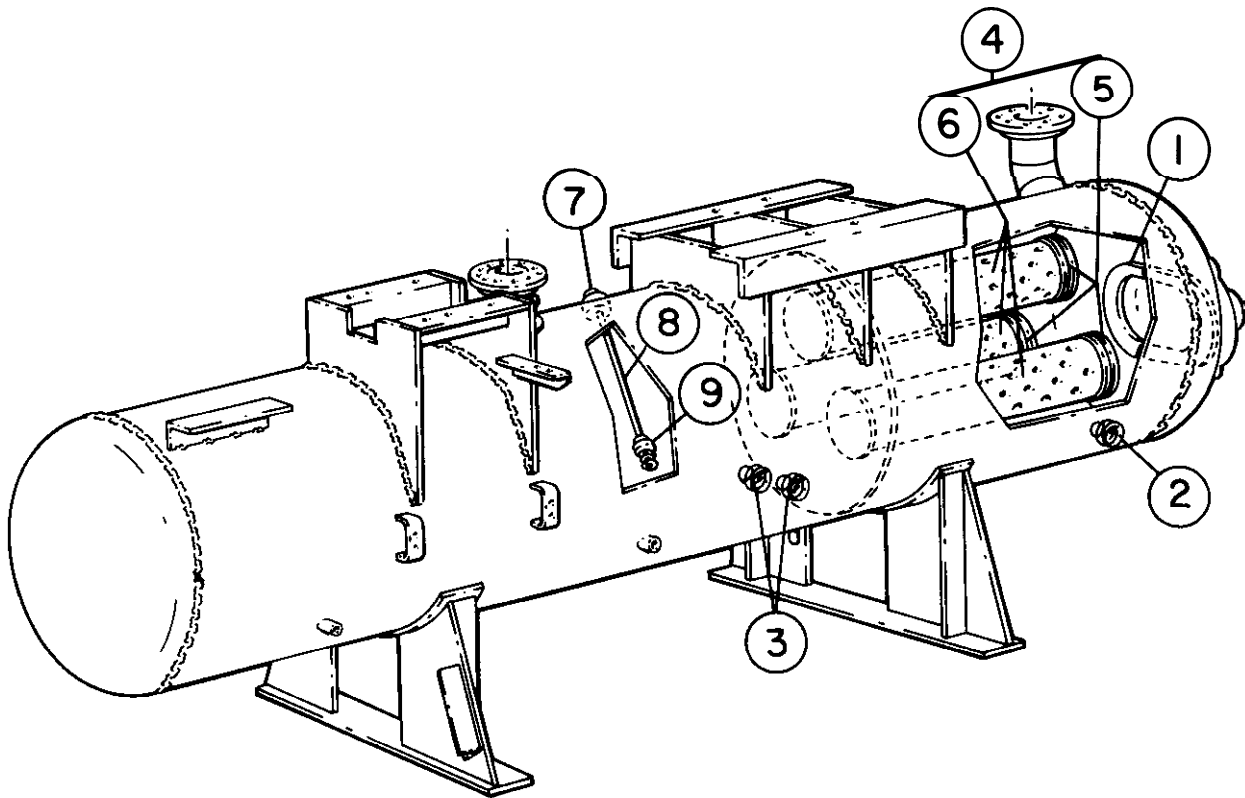
SERVICE PARTS LIST  
ROTARY SCREW COMPRESSOR UNITS  
MOVABLE SLIDE STOP INDICATOR

LIST and INDEX	STOCK NUMBER	PART NUMBER	NOMENCLATURE	USAGE CODE	QTY Per	
					ASSY	UNIT
4 - - 1	040656 451541	534C0096603 534C0166H01	indicator Instl - Movable Slide Stop, TDS2213/2217 - Cover - Indicator Assy		1	REF 1
	740725 940125	534C0096H06 534C0096H05	ATTACHING PARTS - Capscrew - Soc Hd, M8 x 25 - Washer - Lock, M8 ***		4 4	4 4
- 2	040577	53480110H01	- Gasket - Cover		1	1
- 3	740726	534C0096H10	- Screw - Adjusting		1	1
- 4	451308	534C0096H09	- Spring - Tension		1	1
- 5	040153	53480056H01	- Base - Potentiometer Adjusting		1	1
	740727 940127 940126	534C0096H11 534C0096H12 534C0096H07	ATTACHING PARTS - Capscrew - Pan Hd, M6 x 16 - Washer - Lock, M6 - Washer - Flat ***		1 1 1	1 1 1
- 6	040154	53480057H01	- Support - Potentiometer Base		1	1
	740725 940125	534C0096H06 534C0096H05	ATTACHING PARTS - Capscrew - Soc Hd, M8 x 25 - Washer - Lock, M8 ***		2 2	2 2
- 7	040165	53480059G01	- Potentiometer Assy (Includes Mtg Clamps and Attaching Parts)		1	1
- 8	040524	534A0075H01	- Button - Operator		1	1
- 9	540226	902A0008H01	- Nut - Jam		1	1
- 10	451537	534C0096H18	- Seat - Spring		1	1
- 11	451471	534C0096H17	- Spring - Tension		1	1
- 12	040173	534A0034H01	- Plug - Steel		1	1
- 13	451305		- O-Ring - Seal Plug Internal		1	1
- 14	451306	534C0096H04	- O-Ring - Seal Plug External		1	1
- 15	451301	534A0033H01	- Bearing - Rod		1	1
- 16	040172	534A0031H01	- Spacer - Spring		1	1
- 17	451299	534A0032H02	- Spring - Loading		1	1
- 18	451304	534C0096H02	- Ring - Spring Retainer		1	1
- 19	040655	53480055603	- Rod Assy - Indicator		1	1



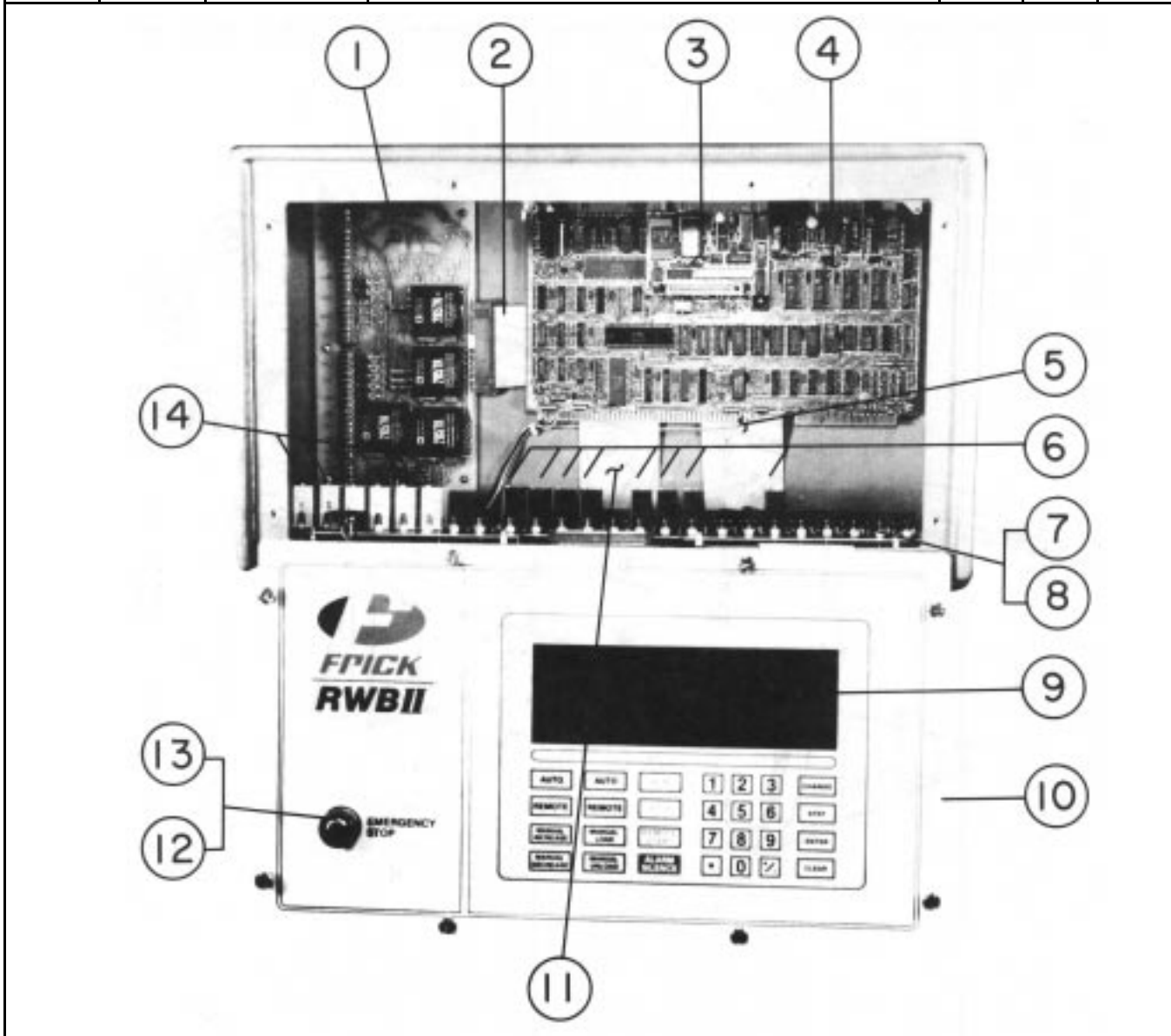
SERVICE PARTS LIST  
 ROTARY SCREW COMPRESSOR UNITS  
 OIL SEPARATOR and LIQUID LEVEL SWITCH

LIST and INDEX	STOCK NUMBER	PART NUMBER	NOMENCLATURE	USAGE CODE	QTY	
					Per ASSY	Per UNIT
5 -	040613	548D0271G01	Separator Assy - Oil, Horizontal			REF
- 1	049023	531A0105H02	- Gasket - Manway		1	1
- 2	009095	947A0001H03	- Indicator - Assy - Liquid Level		1	1
- 3	009969	947A0001H04	- Indicator Assy - Liquid Level		2	2
- 4	048192	531B0015G03	Filter Assy - Oil		1	1
- 5	048220	54000217G02	- Retainer - Filter		3	3
			ATTACHING PARTS			
	540074	902A0002H05	- Nut - Hex., 1/2		1	3
	940051		- Washer - Flat, 1/2		1	3
	048217	54000217H06	- Washer - Seal		1	3
	048221	54000217G03	- Stud and Nut Assy	***	1	3
- 6	450471	531B0019H01 NO NUMBER	- Element - Filter Liquid Level Switch Instl		3	3 REF
- 7	049982	535A0015H01	- Retainer - Switch		1	1
- 8	040668	535A0016H03	- Tube - Extension		1	1
- 9	451511	913A0055H01	- Switch - Liquid Level		1	1



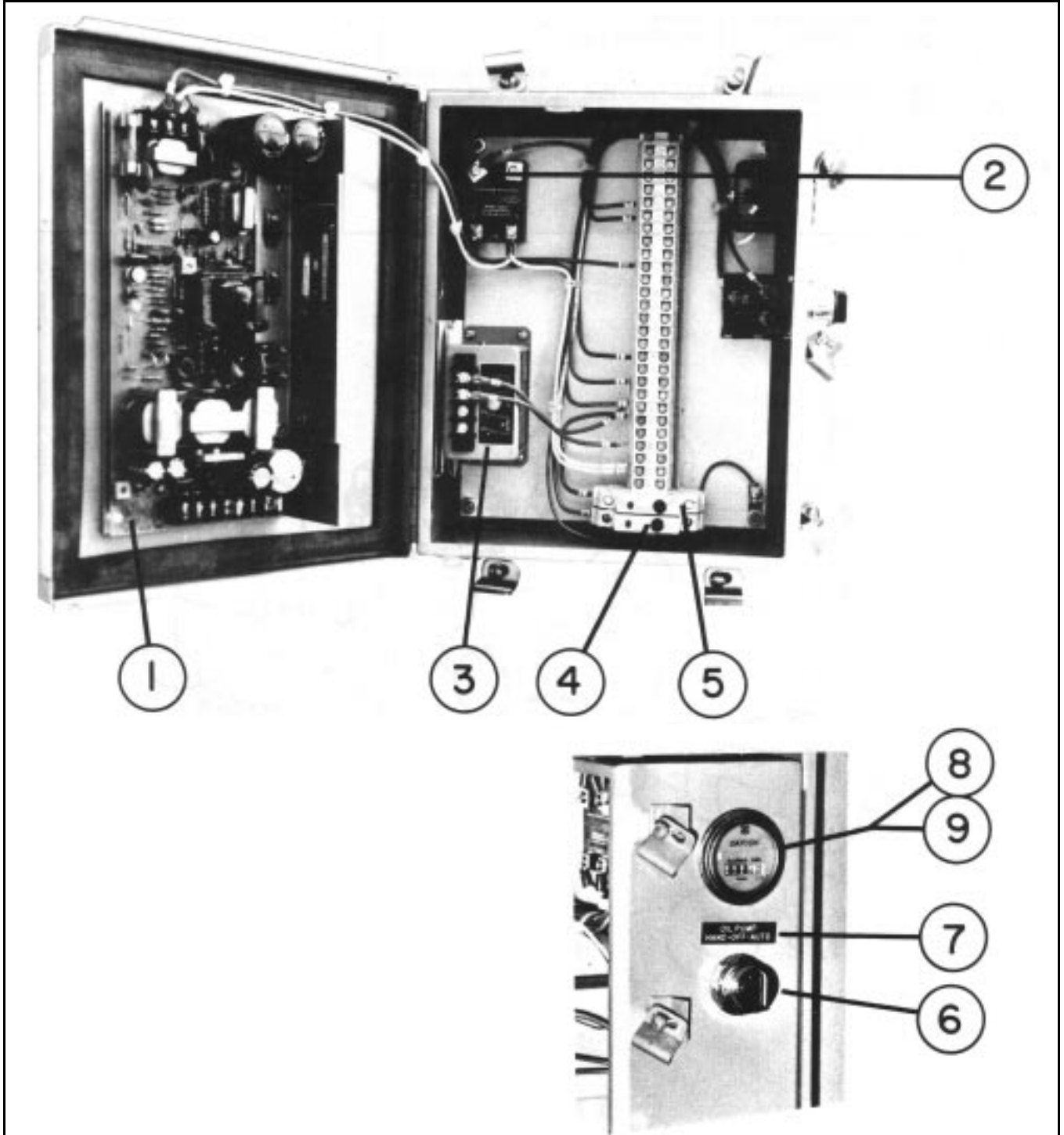
SERVICE PARTS LIST  
ROTARY SCREW COMPRESSOR UNITS  
MICROPROCESSOR PANEL

LIST and INDEX	STOCK NUMBER	PART NUMBER	NOMENCLATURE	USAGE CODE	QTY Per	
					ASSY	UNIT
6 -	040207	649E0110G01	Panel - Microprocessor			REF
- 1	029960		- Board - Signal Conditioning		1	1
- 2	280827		- Cable - Analog		1	1
- 3	280803		- Module - Analog Input		1	1
- 4	040509	649C0176G01	- Computer Assy - Single Board (with - 5V Regulator, Line Drivers and I/O Terminators)		1	1
			Note: Prom memory and additional Ram chips are determined and programmed per application. When replacing computer assy refer to IOM or consult Service Dept., Frick Co. for instructions.			
- 5	280825		- Cable - Keypad/Display		1	1
- 6	280805		- Module - Output		8	8
- 7	280807		- Rack - I/O		1	1
- 8	451543		- Fuse - I/O 5 Amp, Pico		24	24
- 9	280809		- Display		1	1
- 10	280823		- Membrane Assy - Keyboard/Front Panel		1	1
- 11	280826		- Cable - A.C. I/O		1	1
- 12	280832		- Button Assy Emergency Switch Latch		1	1
- 13	280833		- Block - Emergency Switch Contact		1	1
- 14	280806		- Module - Input		6	6



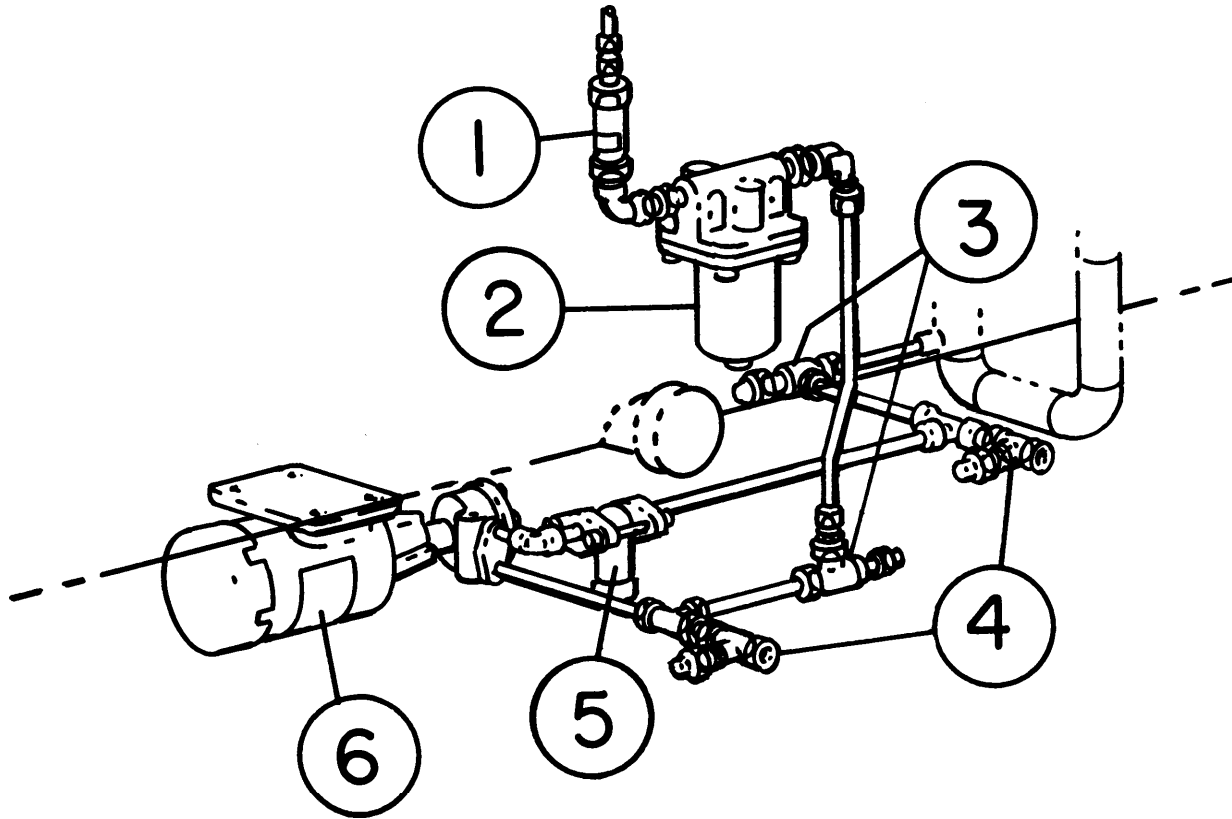
SERVICE PARTS LIST  
 ROTARY SCREW COMPRESSOR UNITS  
 POWER SUPPLY JUNCTION BOX

LIST and INDEX	STOCK NUMBER	PART NUMBER	NOMENCLATURE	USAGE CODE	QTY Per	
					ASSY	UNIT
7 -	040209	649D1000G01	Junction Box - Power Supply			REF
- 1	068896		- Power Supply		1	1
- 2	280810		- Relay - Solid State		1	1
- 3	280828		- Transducer - A.C. Current		1	1
- 4	280831		- Circuit Breaker - 15 Amp		1	1
- 5	280830		- Circuit Breaker - 10 Amp		1	1
- 6	451178		- Switch - Selector		1	1
- 7	040268	649A0097H01	- Nameplate - Oil Pump		1	1
- 8	280829		- Meter - Time Elapse		1	1
- 9	040217	649D1000H01	- Gasket - Meter		1	1



SERVICE PARTS LIST  
ROTARY SCREW COMPRESSOR UNITS  
PRELUBE OIL PUMP

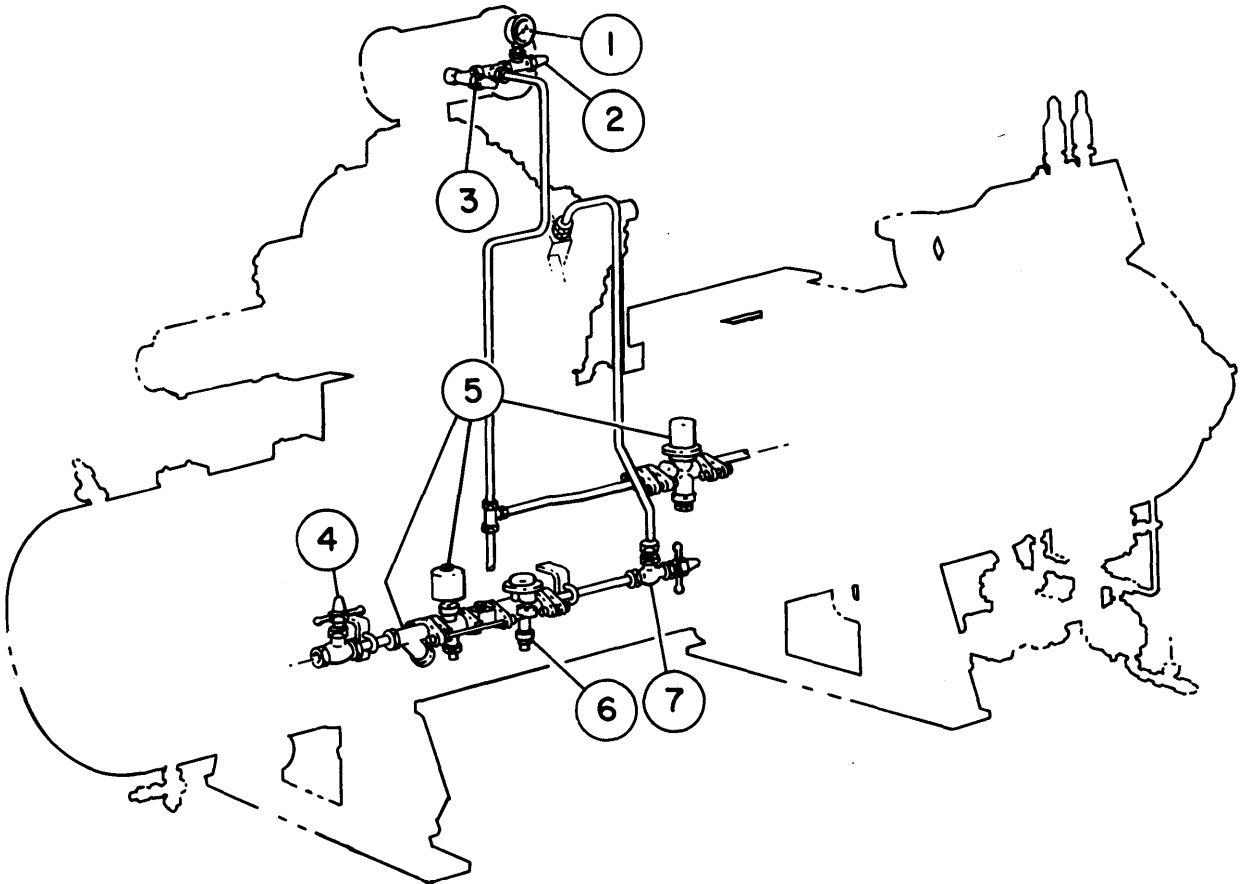
LIST and INDEX	STOCK NUMBER	PART NUMBER	NOMENCLATURE	USAGE CODE	QTY Per	
					ASSY	UNIT
8 -	040671	535E0003G40	Pump Instl - Pre-lube Oil			REF
- 1	451341	956A0014H03	- Valve - Check, 1/2 In-line		1	1
- 2	451342	950A0020H01	- Filter - In-line		1	1
	110113	901A0043A05	ATTACHING PARTS			
	940012		- Capscrew - Hex. Hd, 3/8 x 1		2	2
			- Washer - Lock, 3/8		2	2
			***			
- 3	013710	55000047G02	- Valve - Angle, 1/2		2	2
- 4	013709	58000047G01	- Valve - Globe, 1/2		2	2
- 5	451250	950A0019H01	- Strainer - 1/2		1	1
- 6	451345	960A0043H02	- Pump/Motor - Oil		1	1
	110091	901A0042A04	ATTACHING PARTS			
	940009		- Capscrew - Hex. Hd, 5/16 x 3/4		4	4
			- Washer - Lock, 5/16		4	4
			***			





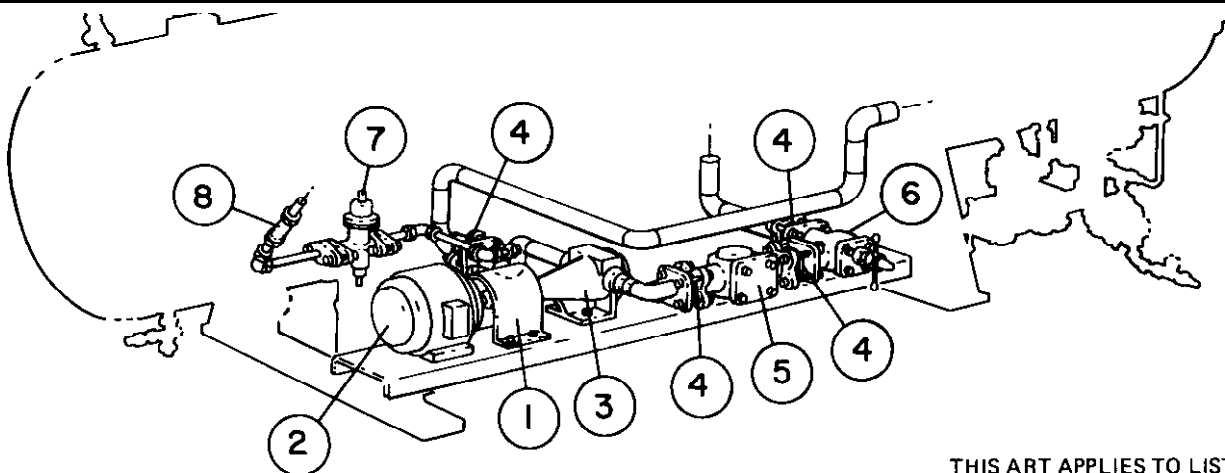
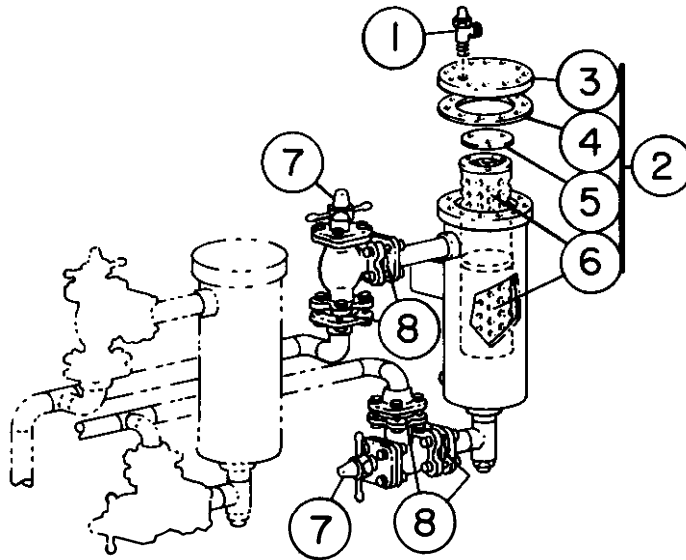
SERVICE PARTS LIST  
 ROTARY SCREW COMPRESSOR UNITS  
 LIQUID INJECTION

LIST and INDEX	STOCK NUMBER	PART NUMBER	NOMENCLATURE	USAGE CODE	Q t y Per	
					ASSY	UNIT
9 -	040274	535C0009G01	Liquid Injection Instl			REF
- 1	390044	990A0011H01	- Gauge - Pressure, 30" - 150 PSI		1	1
- 2	008794	957A0003H01	- Valve - Angle, 1/4 MPTX 1/4 FPT		1	1
- 3	450444	957A0003H02	- Valve - Angle, 3/8 MPT x 3/8 FPT		2	2
- 4	013703	580D0043G01	- Valve - Globe, 3/4		1	1
	451126	950A0018G01	- Kit - Solenoid Valve, Strainer and Pressure Regulator		1	1
1 ;		NO NUMBER	- Valve - Expansion (See Sales Order)		1	1
- 7	013704	580D0043G02	- Valve - Angle, 3/4		1	1



SERVICE PARTS LIST  
ROTARY SCREW COMPRESSOR UNITS  
DUAL OIL FILTER

LIST and INDEX	STOCK NUMBER	PART NUMBER	NOMENCLATURE	USAGE CODE	QTY	
					Per ASSY	Per UNIT
10 -	040356	53580004G02	Filter Assy - Oil (Optional)			REF
- 1	008794	957A0003H01	- Valve - Angle, 1/4 MPT x 1/4 FPT		1	1
- 2	049983	535C0014G01	- Filter Assy - Oil		1	1
- 3	046244	531A0026H01	- - Cover - Filter		1	1
	110716	901A0054D06	ATTACHING PARTS - - Capscrew - Hex. Hd, 1/2 x 1-3/4		12	12
- 4	046203	531A0020H01	- - Gasket - Cover		1	1
- 5	046243	531A0027H01	- - Retainer - Filter		1	1
	540006	902A0002H01	ATTACHING PARTS -- Nut - Hex, 1/4		3	3
	940045		- - Washer - Flat, 1/4 ***		3	3
- 6	450466	531A0028H01	- - Filter - 15 Micron		2	2
- 7	013625	58ODOO19G02	- Valve - Angle, 2		2	2
	540085	902A0002H07	ATTACHING PARTS - Nut - Hex., 5/8		8	16
	110311	901A0046A11	- Bolt - Hex. Hd, 5/8 x 3-1/2 ***		8	16
- 8	018267	959A0001H07	- Gasket - Valve		8	16
					4	4



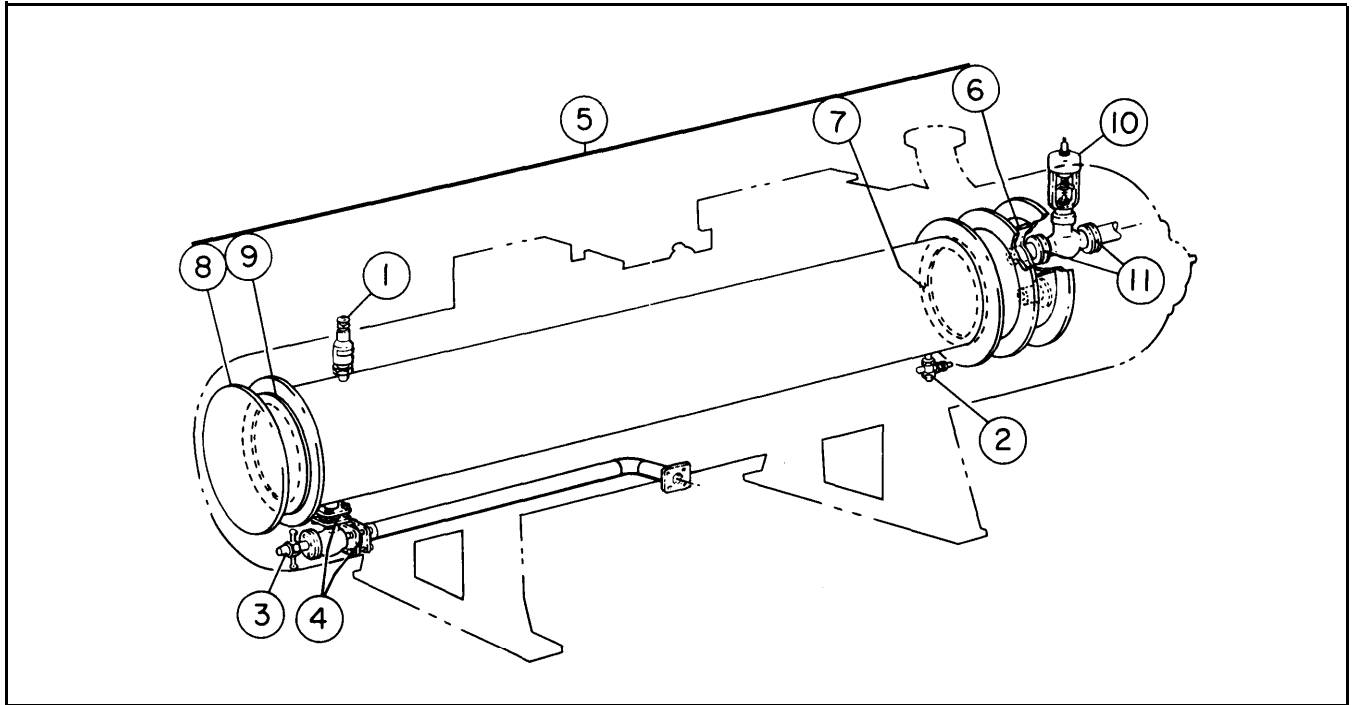
THIS ART APPLIES TO LIST 11



SERVICE PARTS LIST  
ROTARY SCREW COMPRESSOR UNITS  
OIL COOLER

LIST and INDEX	STOCK NUMBER	PART NUMBER	NOMENCLATURE	USAGE CODE	QTY		Per
					ASSY	UNIT	
12 -	040691	535C0041G01	Cooler Instl - Oil, 10 x 120	PSO		REF	
	040692	535C0041G02	Cooler Instl - Oil, 12 x 120	PSO		REF	
	040693	535C0041G03	Cooler Instl - Oil, 16 x 120	PSO		REF	
	040694	535C0041G04	Cooler Instl - Oil, 16 x 144	PSO		REF	
- 1	013443	580C0069G300	- Valve - Safety		1	1	
- 2	013709	580D0047G01	- Valve - Globe, 1/2		1	1	
- 3	013625	580D0019G02	- Valve - Angle, 2		1	1	
			ATTACHING PARTS				
	540085	902A0002H07	- Nut - Hex., 5/8		8	8	
	110311	901A0046A11	- Bolt - Hex. Hd, 5/8 x 3-1/2 ***		8	8	
- 4	018267	959A0001H07	- Gasket		2	2	
- 5	048414	547C0008G01	- Cooler Assy - 10 x 120,6 Pass		1	1	
	048438	547C0012G01	- Cooler Assy - 12 x 120,6 Pass		1	1	
	048439	547C0013G01	- Cooler Assy - 16 x 120,6 Pass		1	1	
	042058	547C0188G01	- Cooler Assy - 16 x 144,4 Pass		1	1	
- 6	049240	540C0604G05	- - Bonnet - Front, 10 - 6 Pass		1	1	
	047233	540C0605G05	- - Bonnet - Front, 12 - 6 Pass		1	1	
	047236	540C0606G03	- - Bonnet - Front, 16 - 6 Pass		1	1	
	047238	540C0607G03	- - Bonnet - Front, 16 - 4 Pass		1	1	
			ATTACHING PARTS				
	540089	902A0002D07	- - Nut - Hex., 5/8 (10,12 Dia)		12	12	
	540089	902A0002D07	- - Nut - Hex., 5/8 (16 Dia)		16	16	
	940055		- Washer - Flat, 5/8 (10, 12 Dia)		12	12	
	940055		- Washer - Flat, 5/8 (16 Dia)		16	16	
	110646		- Stud - 5/8 x 4 (10 Dia)		12	12	
	110643		- Stud - 5/8 x 4-3/4 (12 Dia)		12	12	
	110643		- Stud - 5/8 x 4-3/4 (16 Dia) ***		16	16	
- 7	046389	540C0608H01	- - Gasket - Front Bonnet, 10 - 6 Pass		1	1	
	046399	540C0608H03	- - Gasket - Front Bonnet, 12 - 6 Pass		1	1	
	046410	540C0608H05	- - Gasket - Front Bonnet, 16 - 6 Pass		1	1	
	046420	540C0608H07	- - Gasket - Front Bonnet, 16 - 4 Pass		1	1	
- 8	049239	540C0604G06	- - Bonnet - Rear, 10 - 6 Pass		1	1	
	047234	540C0605G06	- - Bonnet - Rear, 12 - 6 Pass		1	1	
	047237	540C0606G04	- - Bonnet - Rear, 16 - 6 Pass		1	1	
	047239	540C0607G04	- - Bonnet - Rear, 16 - 4 Pass		1	1	
			ATTACHING PARTS				
			- - See Index 6 ***				
- 9	046390	540C0608H02	- - Gasket - Rear Bonnet, 10 - 6 Pass		1	1	
	046401	540C0608H04	- - Gasket - Rear Bonnet, 12 - 6 Pass		1	1	
	046411	540C0608H06	- - Gasket - Rear Bonnet, 16 - 6 Pass		1	1	
	046421	540C0608H08	- - Gasket - Rear Bonnet, 16 - 4 Pass		1	1	
- 10	048012	531M0027G03	Regulator Instl - Water	PSO		REF	
	048913	531M0027G04	Regulator Instl - Water	PSO		REF	
	048014	531M0027G05	Regulator Instl - Water	PSO		REF	
	450181		- Valve - Water Regulator, 2		1	1	
	450182		- Valve - Water Regulator, 2-1/2		1	1	
- 11	450456		- Valve - Water Regulator, 3		1	1	
	047068	959A0005H06	- Gasket - 2		2	2	
	047069	959A0005H07	- Gasket - 2-1/2		2	2	
	047070	959A0005H08	- Gasket - 3		2	2	

SERVICE PARTS LIST  
ROTARY SCREW COMPRESSOR UNITS  
OIL COOLER



SERVICE PARTS LIST  
ROTARY SCREW COMPRESSOR UNITS  
NUMERICAL

STOCK NUMBER	PART NUMBER	LIST - INDEX	STOCK NUMBER	PART NUMBER	LIST - INDEX	STOCK NUMBER	PART NUMBER	LIST - INDEX
V30094		1-23	040339	53400083C01	3-31	046165	531A0011H01	1-11
V30155		1-30	040340	534B0084C01	3-33	046167	531A0012H01	1-12
008702	951A0037H14	11-5	040341	534B0085C01	3-33	046168	959A0005H13	1-15
008794	957A0003H01	1-29	040343	534D0088C01	3-27	046203	531A0020H01	1-40
		-37	040344	534D0089C01	2-5			10-4
		-51	040345	534D0130G02	2-51	046243	531A0027H01	1-41
		9-2	040346	534D0130G02	2-51			10-5
		10-1	040347	534E0035C01	2-49	046244	531A0026H01	1-39
008936	914A0006H05	11-2	040383	534A0068H01	2-22			10-3
008961	914A0006H04	11-2	040384	53480075H01	2-30	046389	540C0608H01	12-7
008965	914A0006H06	11-2	040388	534C0107C01	2-14	046390	540C0608H02	12-9
009095	947A0001H03	5-2	040389	534C0108H01	2-12	046399	540C0608H03	12-7
009969	947A0001H04	5-3	040390	534C0109H01	2-16	046401	540C0608H04	12-9
013443	580C0069G300	1-22	040392	534C0113C01	2-33	046410	540C0608H05	12-7
		12-1	040393	534C0114H01	2-36	046411	540C0608H06	12-9
013625	580D0019G02	1-43	040396	534C0117C01	3-14	046420	540C0608H07	12-7
		10-7	040397	534C0118C01	3-23	046421	540C0608H08	12-9
		11-6	040398	534C0119C01	3-19			1-8
		12-3	040399	534D0096C01	3-12	046457	959A0005H12	-15
013703	580D0043G01	9-4	040509	649C0176G01	6-4	047068	959A0005H06	12-11
013704	580D0043G02	9-4	040523	53480103H01	2-38	047069	959A0005H07	12-11
013709	580D0047G01	1-49	040524	534A0075H01	4-8	047070	959A0005H08	12-11
		8-4	040577	53480110H01	4-2	047233	540C0605G05	12-6
		12-2	040580	534B0051C01	2-47	047234	540C0605G06	12-8
013710	580D0047G02	1-33	040581	534D0129C01	2-23	047236	540C0606G03	12-6
		-50	040582	53400127C01	2-26	047237	540C0606G04	12-8
		8-3	040583	534C0168H01	2-45	047238	540C0607G03	12-6
013746	580D0060G01	1-2	040584	534C0169H01	2-43	047239	540C0607G04	12-8
013748	580D0059G01	1-2	040585	534C0171H01	2-39			
013753	580D0063G02	1-1	040586	534C0170H01	2-44			
013755	580D0064G02	1-1	040613	54800271G01	1-53	048012	531M0027G03	12-REF
014026	580C0131G13	1-22			5-REF	048013	531M0027G04	12-REF
014027	580C0131G50	1-22	040616	535A0034G01	1-7	048014	531M0027G05	12-REF
018266	959A0003H05	2-48	040623	535C0036G01	1-10			
018267	959A0001H07	1-44	040624	535C0037G01	1-10			
		10-8	040625	535C0038G01	1-13	048192	531B0015G03	5-4
		11-4	040645	534C0120G01	3-34	048217	540D0217H06	5-5
		12-4	040646	534C0120G02	3-34	048220	540D0217G02	5-5
019200	959A0024H01	1-18	040647	53480112H01	3-8	048221	54000217G03	5-5
019201	959A0024H02	1-5	040652	534C0124602	2-3	048302	959A0005H32	1-17
029784		11-2			3-REF	048414	547C0008G01	12-5
029785		11-2	040653	534E0039G01	2-3	048438	547C0012G01	12-5
029960		6-1			3-REF	048439	547C0013G01	12-5
040014		2-50	040655	534B0055603	4-19	048575	959A0005H33	1-14
040017		2-50	040656	534C0096G03	2-1	049012	531A0103H01	11-1
040131	534C0072H01	3-5			4-REF	049023	531A0105H02	5-1
040132	534C0072H02	3-5	040657	534C0124G01	2-2	049173	531C0142H01	1-19
040153	53480056H01	4-5			3-REF	049239	540C0604G06	12-8
040154	534B0057H01	4-6	040658	534C0124602	2-2	049240	540C0604G05	12-6
040165	534B0059G01	4-7			3-REF	049368	959A0005H31	1-20
040172	534A0031H01	4-16	040659	534E0014G03	1-16	049976	535D0002G01	1-23
040173	534A0034H01	4-12			2-REF	049982	535A0015H01	5-7
040202	534A0046H01	3-2	040660	534E0040G01	1-16	049983	535C0014G01	1-38
040207	649E0110G01	1-32			2-REF			10-2
		6-REF	040668	535A0016H03	5-8	060128	901A0021H07	1-2
040209	64901000G01	1-48	040671	535E0003G40	1-3	068896		7-1
		7-REF			8-REF	110091		8-6
040217	649DI000H01	7-9	040674	535E0003G02	1-REF	110106		11-1
040257	535C0012H01	1-30	040675	535E0003G03	1-REF	110113		8-2
040258	535A0012H01	1-25	040676	535E0003G80	1-REF			11-3
040259	535A0013H01	1-31	040677	535E0003685	1-REF			-5
040268	649A0097H01	7-7	040686	535C0040G01	11-REF			-6
040269	534E0019C01	2-20	040687	535C0040G02	11-REF			12-3
040274	535C0009G01	1-4	040688	535C0040G03	11-REF	110118		11-3
		9-REF	040689	535C0040G04	11-REF	110123	7R51263	11-2
040332	534C0106C01	2-10	040690	535C0040G05	11-REF	110237	154R51264	11-3
040333	534C0110H01	2-8	040691	535C0041G01	12-REF	110240	944A0045A06	1-39
040334	534C0111H01	2-13	040692	535C0041G02	12-REF	110311	901A0046A11	1-43
040336	534D0079C01	3-25	040693	535C0041G03	12-REF			10-7
040337	534D0080C01	2-4	040694	535C0041G04	12-REF			11-3
040338	534D0082C01	3-31	042058	547C0188G01	12-5	110635	901A0047A16	1-19

SERVICE PARTS LIST  
 ROTARY SCREW COMPRESSOR UNITS  
 NUMERICAL

STOCK NUMBER	PART NUMBER	LIST - INDEX	STOCK NUMBER	PART NUMBER	LIST - INDEX	STOCK NUMBER	PART NUMBER	LIST - INDEX
110636	901A0047A17	1-7	451335	53480062C01	3-1	740726		4-3
110643		12-6	451341	956A0014H03	8-1	740727		4-5
110646		12-6	451342	950A0020H01	8-2	740729		3-5
110648	901A0043A09	11-2	451343	951A0051H01	1-52	740737		2-47
110716	901A0045D06	10-3	451345	960A0043H02	8-6	740738		2-3
110720	901A0043A11	11-2	451352	903A0002H22	1-16	740739		2-3
280803		6-3	451354	535C0013H01	1-24			- 4
280805		6-6	451359		3-17			- 33
280806		6-14	451366	53480080H01	3-32	740741		1-10
280807		6-7	451367	53480081H01	3-32			- 16
280809		6-9	451368	534B0006H04	3-20	740744		2-20
280810		7-2	451369	53480006H05	3-29	740751		1-52
280823		6-10	451370	534C0187H03	3-15	740758	901A0049A11	1-16
280825		6-5	451371	534B0014H05	2-18	740761	534A0076H02	2-37
280826		6-11	451372	534B0014H06	2-7	740768		3-8
280827		6-2	451373	53480014H07	3-18	940006		1-23
280828		7-3	451374	534C0123H01	3-9			- 30
280829		7-8	451375	534C0123H02	3-9			- 52
280830		7-5	451460	534B0004H11	2-46			10-5
280831		7-4	451462	534B0101H04	2-41	940009		8-6
280832		6-12	451471	534C0096H17	4-11	940012		8-2
280833		6-13	451511	913A0055H01	5-9			11-1
280851		1-28	451537	534C0096H18	4-10			- 2
280852		1-26	451540	53480109H03	2-28			- 3
		- 27	451541	534C0166H01	4-1	940017		11-3
390044	990A0011H01	9-1	451542		2-15	940030		1-6
450181		12-10	451543		6-8	940045		1-41
450182		12-10	451611	534B0079H01	3-16 A			10-5
450329		3-30	451612	534A0037H07	2-20	940051		5-5
450444	957A0003H02	1-6			- 49	940055		12-6
		- 36	451613	534A0038H08	2-29	940125	534C0096H05	4-1
		9-3	451614	53480102H06	2-24			- 6
450456		12-10	451615	534B0102H07	2-35	940126	534C0096H07	4-5
450458	954A0007H01	11-7	451616	980A0012B02	3-24	940127	534C0096H12	4-5
450466	531A0028H01	1-42	451617	980A0012B93	3-22	940138	534A0036H06	3-14
		10-6	451618	980A0012892	3-13			- 31
450471	53180019H01	5-6	451619	980A0012897	3-26	940139	534A0036H07	3-23
450507	953A0012H01	1-35	451620	980A0012H36	3-21	940140	534A0036H05	2-32
450511	960A0026H01	11-3	451621	980A0012H70	3-16	940141		3-8
450512	960A0026H02	11-3	451622	980A0012A62	3-10	992242	534A0038H05	2-34
450513	960A0026H03	11-3	451623	534A0037H12	2-17			
450514	960A0026H04	11-3	451626	534A0037H15	2-40			
450515	960A0026H05	11-3	540006	902A0002H01	1-41			
450630		2-42			- 52			
450752	956A0014H02	11-8	540074	902A0002H05	5-5			
450758	956A0009P06	1-9	540085	902A0002H07	1-43			
450766	956A0010P05	1-21			10-7			
450866	956A0012G01	1-45			11-3			
451030	913A0047H01	1-47			- 5			
451126	950A0018G01	9-5			- 6			
451178		7-6			12-3			
451240	53480004H04	2-19	540089	902A0002D07	12-6			
451250	950A0019H01	1-34	540092	902A0002H08	1-1			
		8-5			- 2			
451252		2-27	540103	902A0002H10	1-16			
451261		2-11	540226	902A0008H01	4-9			
		3-28	540228	534A0035H06	3-14			
451267		2-6			- 31			
451299	534A0032H02	4-17	540229	534A0035H07	3-23			
451301	534A0033H01	4-15	540230	534A0035H05	2-31			
451304	534C0096H02	4-18	740156		1-24			
451305		4-13	740468	901A0047A14	1-1			
451306		4-14			- 2			
451308	534C0096H09	4-4	740509		1-11			
451310		3-4	740566	901A0085H01	3-1			
451312		3-7	740723		2-23			
451313		3-6			3-12			
451314		3-3	740725		4-1			
451327	534A0037H02	2-9			- 6			



100 CV Avenue, P.O. Box 997 Waynesboro, Pennsylvania USA 17268-0997  
Phone: 717-762-2121 · Fax: 717-762-8624

**Subject To Change Without Notice**