

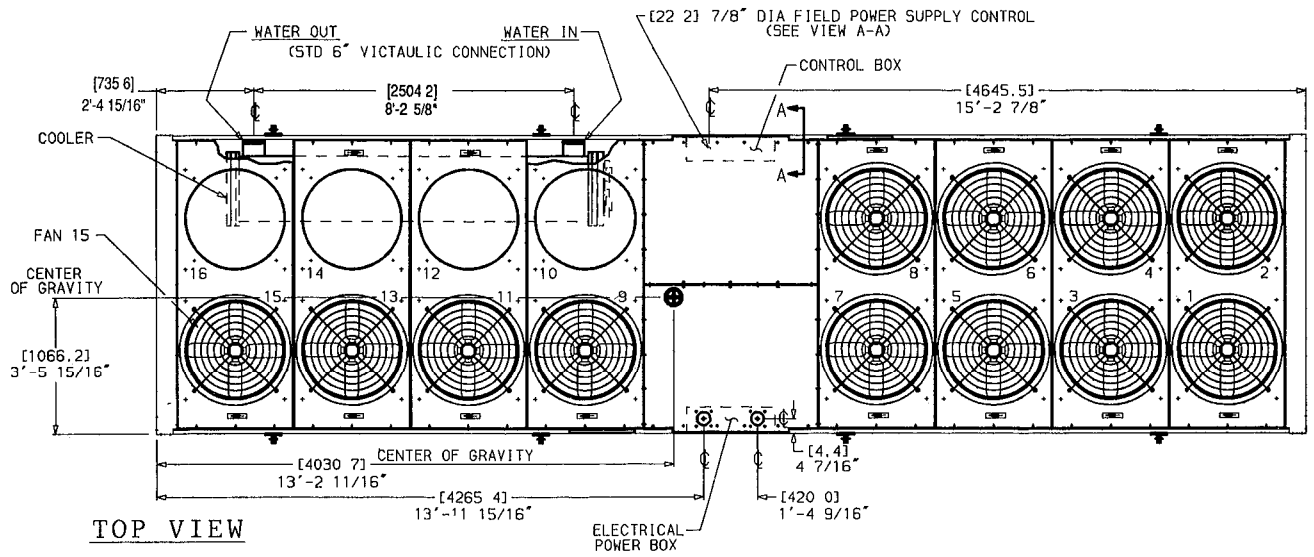
Physical data — 30GT

UNIT 30GT		225	250	280	
APPROX OPERATING WT (lb)					
Aluminum Coils		15,340	19,290	19,590	
Copper Coils		17,240	21,730	22,270	
REFRIGERANT CHARGE, R-22 (lb)					
Total — Over Clear Glass		190-41	280-41	305-45	
(see Note 1)		190-41	335-65	371-72	
COMPRESSORS, TYPE		Reciprocating, Semi Hermetic			
Rpm		1750			
Oil Charge, pt		19			
Capacity Control Steps		8			
Percent Capacity		50	50	50	
		Ckt A	50	50	
		Ckt B	50	50	
Compressor Model Numbers According to Compressor Locations in A-B Circuits		Compressor Model Numbers — 06E			
		Ckt Location			
		A1	275	275	299
		A2	275	275	299
		A3	275	299	299
		A4	299	299	299
		B1	275	275	299
		B2	275	275	299
CONDENSER FANS, TYPE		Propeller, Direct Drive			
Qty — Diameter, in.		16-30	20-30	22-30	
Rpm		1140			
Total kW		24.8	31.0	34.1	
Blades Per Fan		4			
Total Airflow, cfm		136,000	170,000	187,000	
CONDENSER COILS; TYPE, DIAM-SPACING, in.		Copper Tubes, 3/8-17 FPI			
Rows (Qty)		3,3			
Total Face Area, sq ft		168	212	232	
		Ckt A	218.7	242.4	
		Ckt B			
COOLER, QTY — TYPE		One — Direct Expansion, Shell and Tube			
Model No. 10HB400- - -		026-01	023-01		
Weight (less water), lb		1865	2800		
Refrigerant Ckts (Qty)		2			
Net Water Volume (incl. nozzles), gal		70.4	100.7		
Max. Working Pressure, psig		235 Refrigerant Side — 300 Water Side			
Relief Valve Setting, psig		235			
WATER CONNECTIONS, WORKING PRESSURE, psig		Nozzles Grooved for Victaulic Fitting, 300			
Inlet and Outlet Nominal Diameter, in.		6	8		
Drain, in.		3/4 FPT			

NOTES

- 1 Over clear glass — the amount of refrigerant added after sight glass shows clear liquid (charging while unit running)
- 2 Facing the compressor, Circuit A is right and Circuit B is left

→ Base unit dimensions (30GT225)



- NOTES:**
- Dimensions in [] are in millimeters
 - Approximate operating weight of the unit is:
 30GT225 — 15,340 lbs [6958 kg]
 30GT225C — 17,240 lbs [7820 kg]
 - Units must have clearances for airflow as follows:
 Top — Do not restrict in any way
 Ends — [1524 mm] 5 feet
 Sides — [1829 mm] 6 feet

