

1999 Mueller Refrigerated Silo Stainless Steel 30,000 Gallon

Mfg: Mueller

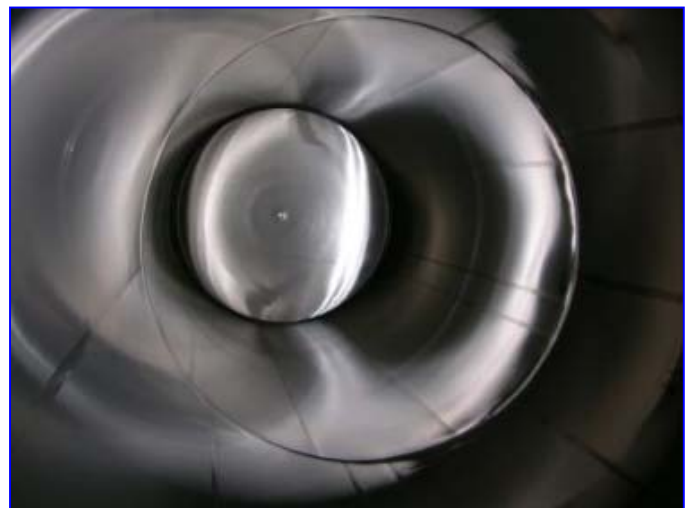
Model: SVW

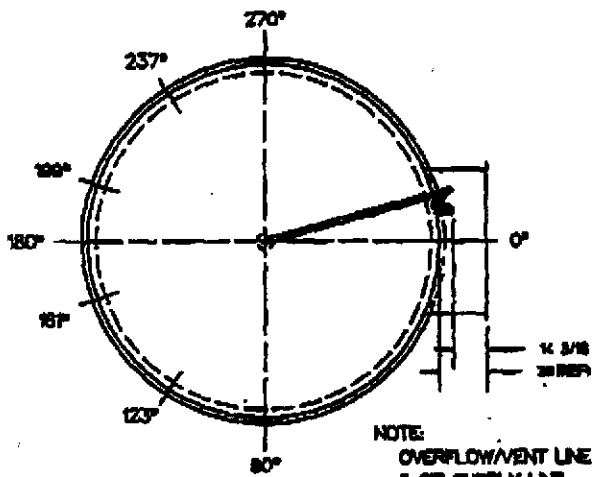
Stock No. CG-MM542.150

Serial No. 230343

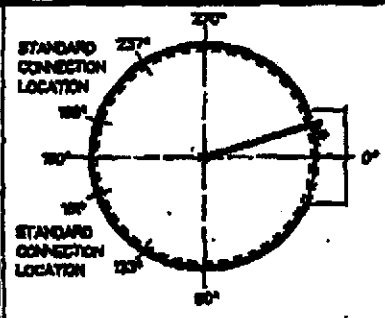
1999 Mueller Refrigerated Silo Stainless Steel 30,000 Gallon.

- Model SVW
- S/N 230343.
- Design Pressure 150, test pressure: 188,
- Medium: VATR/Glycol/ R-22 Ammonia
- Design Temp 100 °F, Vac: 0, Volume: 800 3A#22-07,
- Agitation
- Agitator mount
- Refrigerated. Heating Area 8 sections x 75 sq. ft. = 600 square feet.
- Cost new today around \$50,000.

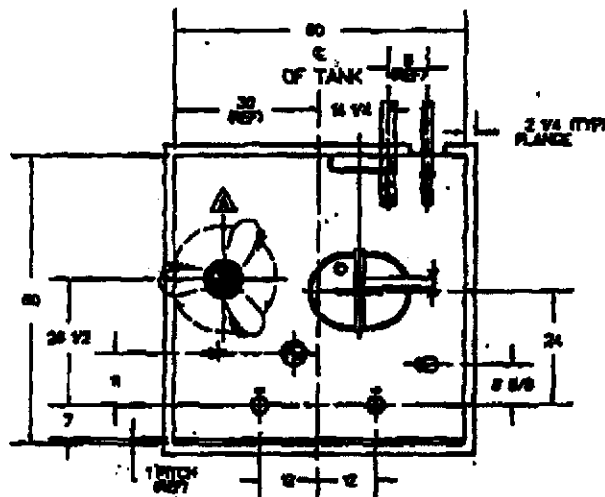
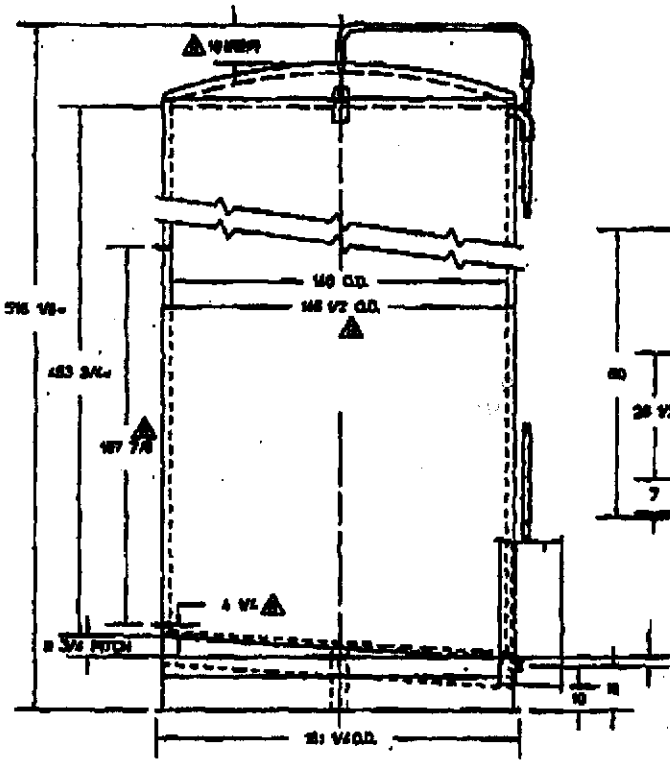




NOTE:
OVERFLOW/VENT LINE
& CP SUPPLY LINE
ARE SHOWN WITH 1" THK
INSULATION.



STANDARD LOCATION OF REFRIGERATION
CONNECTIONS SHOWN ABOVE IF SINGLE
INLET/OUTLET CONNECTIONS REQUIRED.
USE EXTERNAL MANFOLD. SHOW
PREFERRED LOCATION.



WORKING CAPACITY: 30,000 GAL.
EST. WEIGHT EMPTY: 22,000 LBS.
EST. GROSS WEIGHT: 250,000 LBS.

CUSTOMER NAME _____

ALL MATERIALS OR COMPONENT PARTS CALLED OUT ON THE DRAWING SHALL BE AS SPECIFIED OR APPROVED EQUAL.			
DESIGNED BY D. GREEN		CHECKED BY J.M. FERGUSON	
DATE 7-13-58		DATE 8-30-58	
BY DMT		BY JBF	
DATE 5-18-58		DATE 5-18-58	
REVISIONS			
B	148 1/2 WAS 146 1/2	DMT	5-18-58
A	148 TO NEW STYLE 2017	JBF	5-18-58
SYL	CHANGE	BY	DATE

VERTICAL 30,000 GAL SLO DRAWING NO. **G002121A**