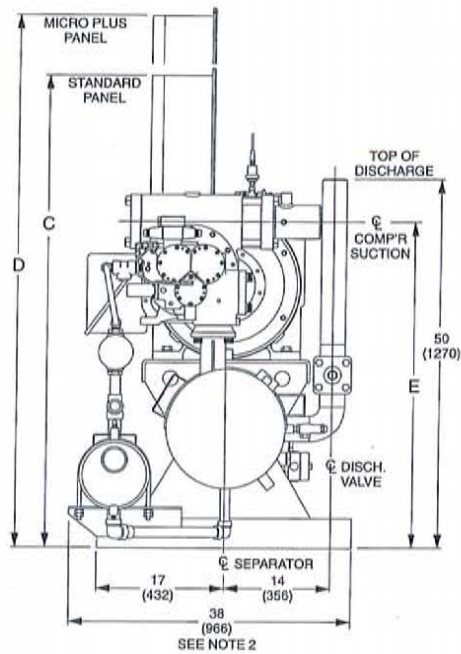
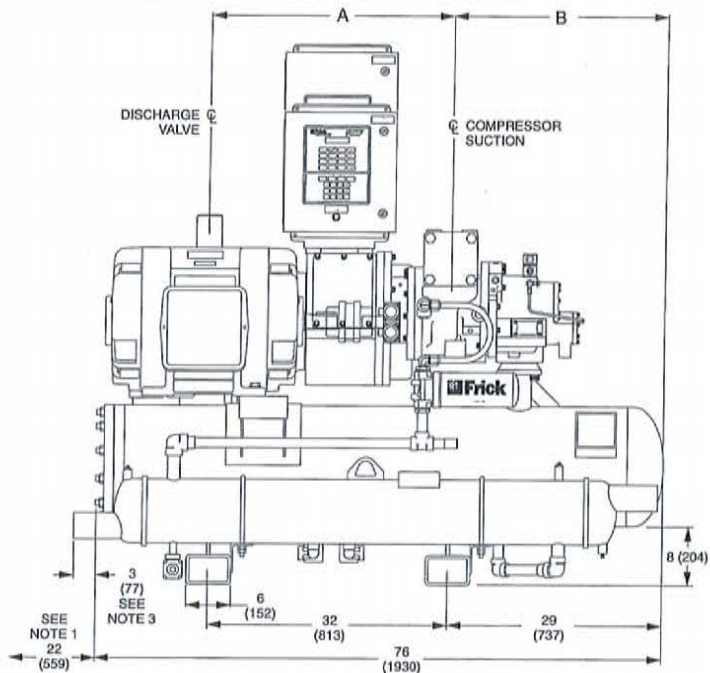


STANDARD DESIGN DATA (with metric equivalents)

RXF MODEL NO.	MOTOR SPEED RPM	COMPRESSOR DISPLACEMENT		RATINGS R-717 (1)				RATINGS R-22 (2)				UNIT MINIMUM (3) WEIGHT WITH MOTOR		UNIT MAXIMUM (4) WEIGHT WITH MOTOR	
				CAPACITY		POWER		CAPACITY		POWER		lb.	kg	lb	kg
				CFM	M3/HR	TR	kw	BHP	kw	TR	kw				
12	1750	71.5	122	25.3	88.9	30.3	22.5	22.4	78.7	33.1	24.6	1713	770	2038	924
15	3550	89.2	152	31.6	111.1	37.9	28.2	27.9	98.1	41.3	30.7	1713	770	2188	992
19	3550	110.5	188	39.1	137.4	46.9	34.9	34.6	121.6	51.2	38.1	1728	784	2203	999
24	1750	144.1	245	51.0	179.3	61.1	45.5	45.1	158.6	66.7	49.7	2434	1105	3145	1427
30	3550	179.8	306	63.7	224.0	76.3	58.9	56.3	198.0	83.3	62.1	2414	1096	3125	1418
39	3550	222.6	378	78.9	277.5	94.5	70.5	69.7	245.1	103.1	76.8	2471	1122	3182	1443
50	3550	292.3	497	103.6	364.3	124.0	92.4	91.6	322.1	135.4	100.9	2559	1162	3270	1483

1. R-717: +20° F (-6.7° C) suction and 95° F (35° C) condensing with 10° F (5.5° C) liquid subcooling and 10° F (5.5° C) suction superheat.
2. R-22: +20° F (-6.7° C) suction and 105° F (40.6° C) condensing with 10° F (5.5° C) liquid subcooling and 10° F (5.5° C) suction superheat.
3. Minimum weight for R-22 or R-717 LIOC.
4. Maximum weight for R-22 or R-717 TSOC or WCOC.



1. Allow for coalescer element accessibility.
 2. Dimension applies to 8 x 5 Thermosyphon and Water-Cooled Oil Coolers only. The 6 x 5 Oil Coolers and Liquid Injection Oil Cooling are within the RXF Screw Compressor unit envelope.
 3. Dimension applies to Thermosyphon Oil Coolers only.
 4. Dimensions shown are inches with millimeters in parentheses.
- NOTE: Drawing for reference only! Use certified drawings for erection.

MOD. NO.	CONN. (in./mm)		DIMENSIONS (in./mm)				
	SUCTION	DISCH.	A	B	C	D	E
12	2-1/2/63.5	2/50.8	29/734	26/660	61/1549	69/1753	39/991
15	2-1/2/63.5	2/50.8	30/762	26/660	61/1549	69/1753	39/991
19	3/76.2	2/50.8	30/762	26/660	61/1549	69/1753	39/991
24	3/76.2	3/76.2	32/813	28/711	64/1626	72/1829	44/1118
30	4/101.6	3/76.2	33/838	28/711	64/1626	72/1829	44/1118
39	4/101.6	3/76.2	33/838	28/711	64/1626	72/1829	44/1118
50	4/101.6	3/76.2	33/838	28/711	64/1626	72/1829	44/1118

NOTE: The suction stop valve is shipped separately for field installation. Make allowances for piping.



100 CV Avenue, P.O. Box 997
 Waynesboro, Pennsylvania USA 17268-0997
 Phone: 717-762-2121 • Fax: 717-762-8624

RXF 30