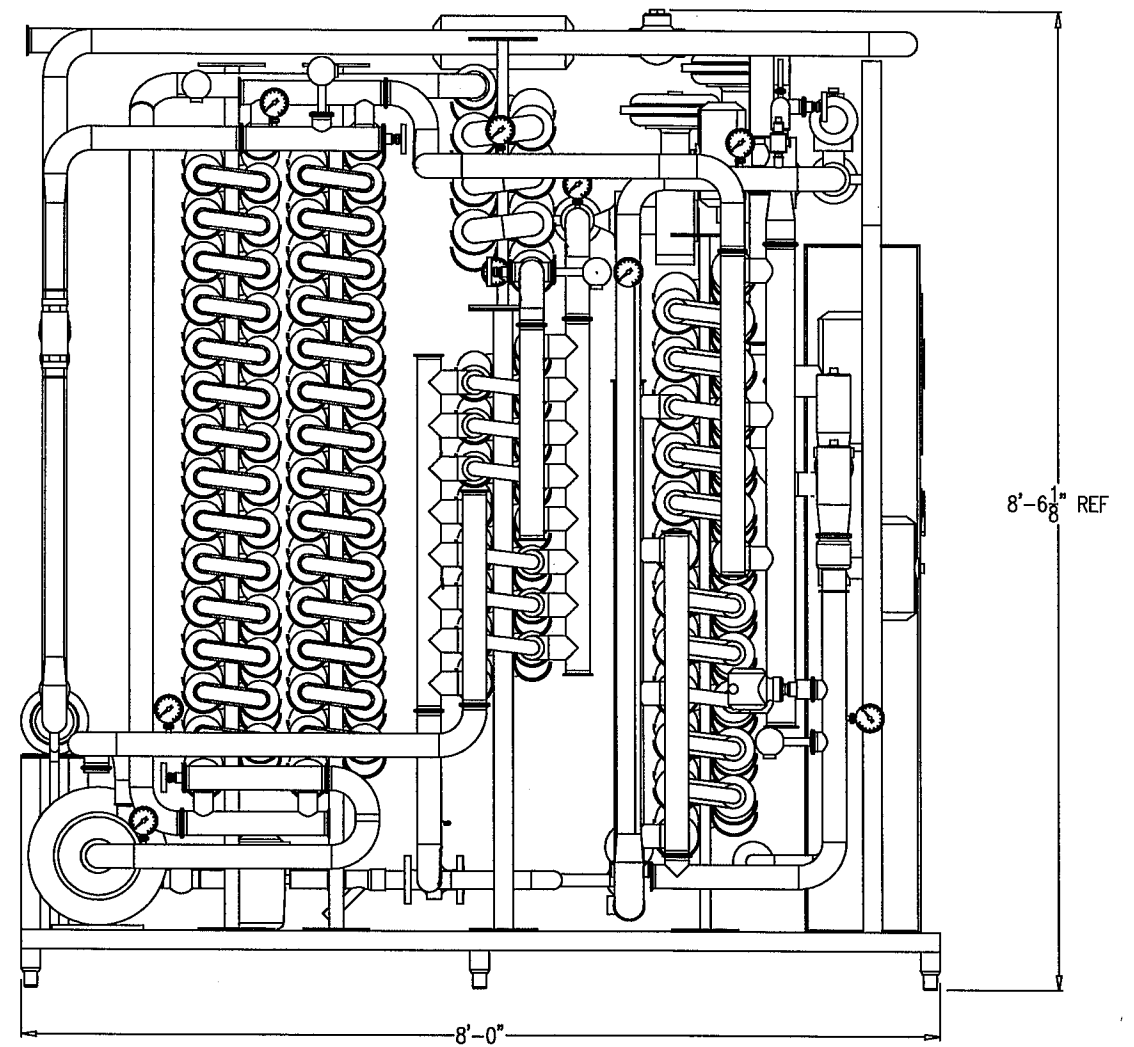
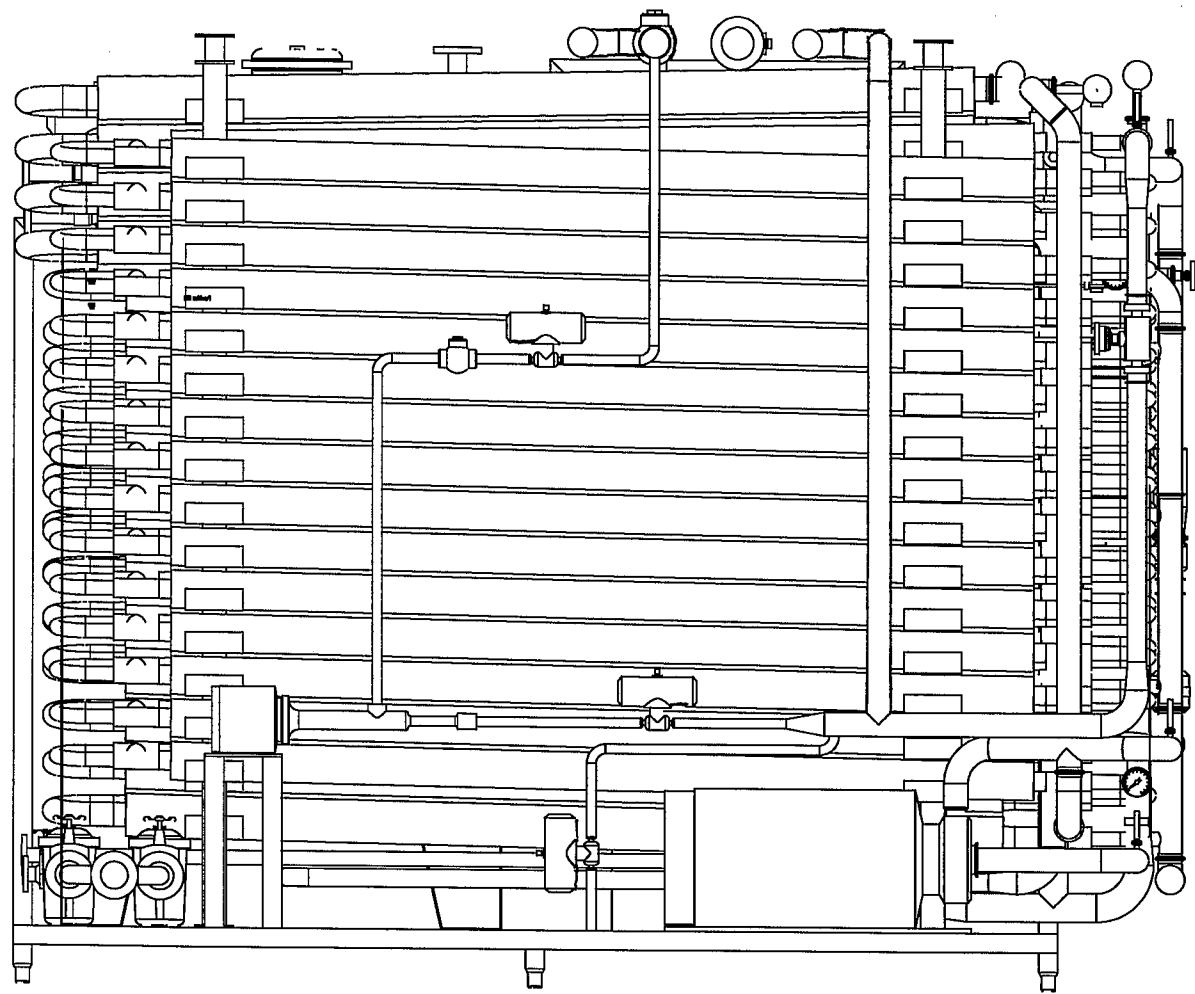


PLAN VIEW

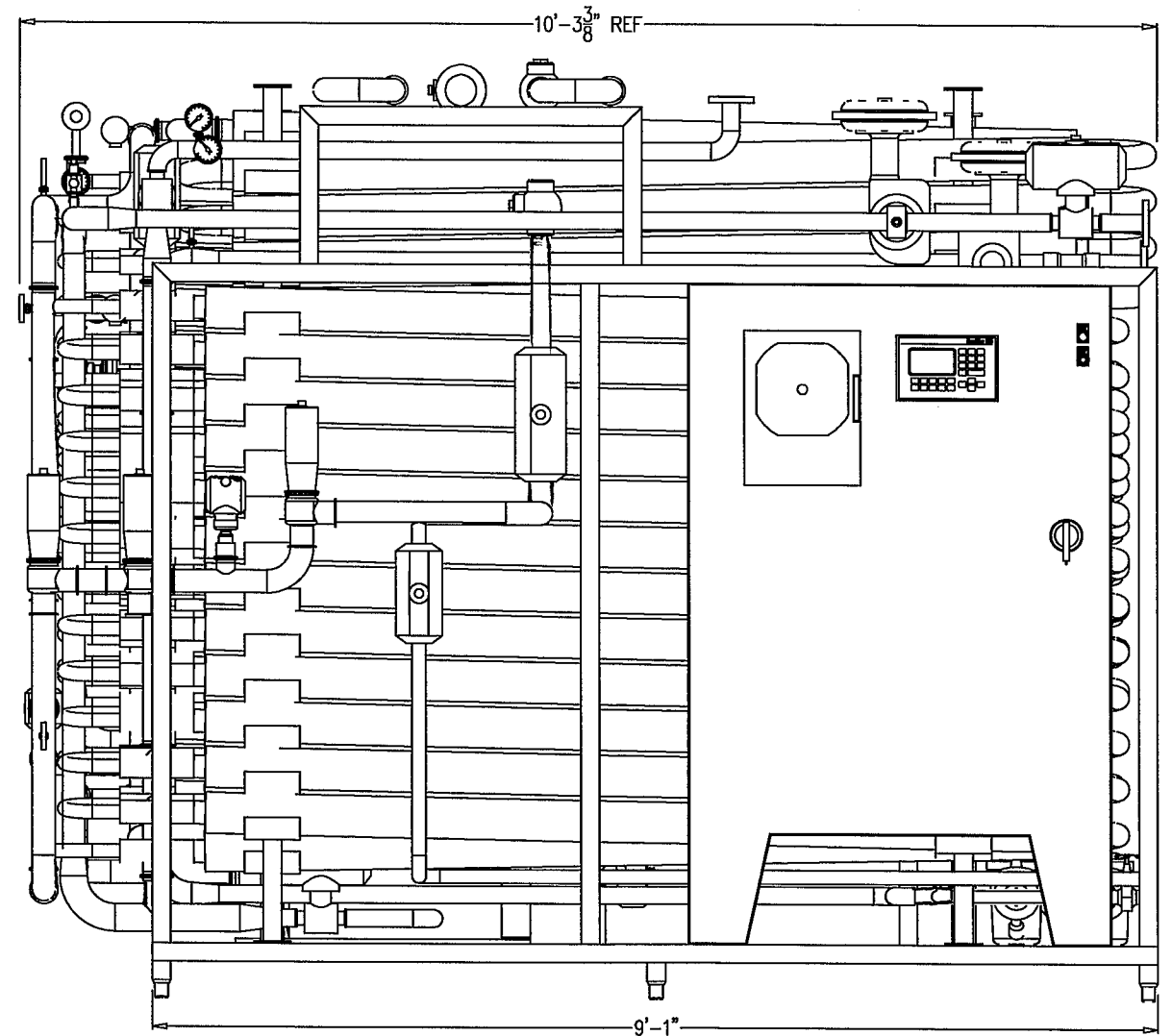


FRONT VIEW

FILE NAME: \DWGS\ 00010306		P.O. No.	
<b>FELDMEIER EQUIPMENT</b> Syracuse, New York			
DRAWN BY:	ENGRG. Approved By	AI	REV
DATE			SHEET: 1 of 4
50 GPM			
ROSS LABS- DOVER BROOK			DRAWING NO.

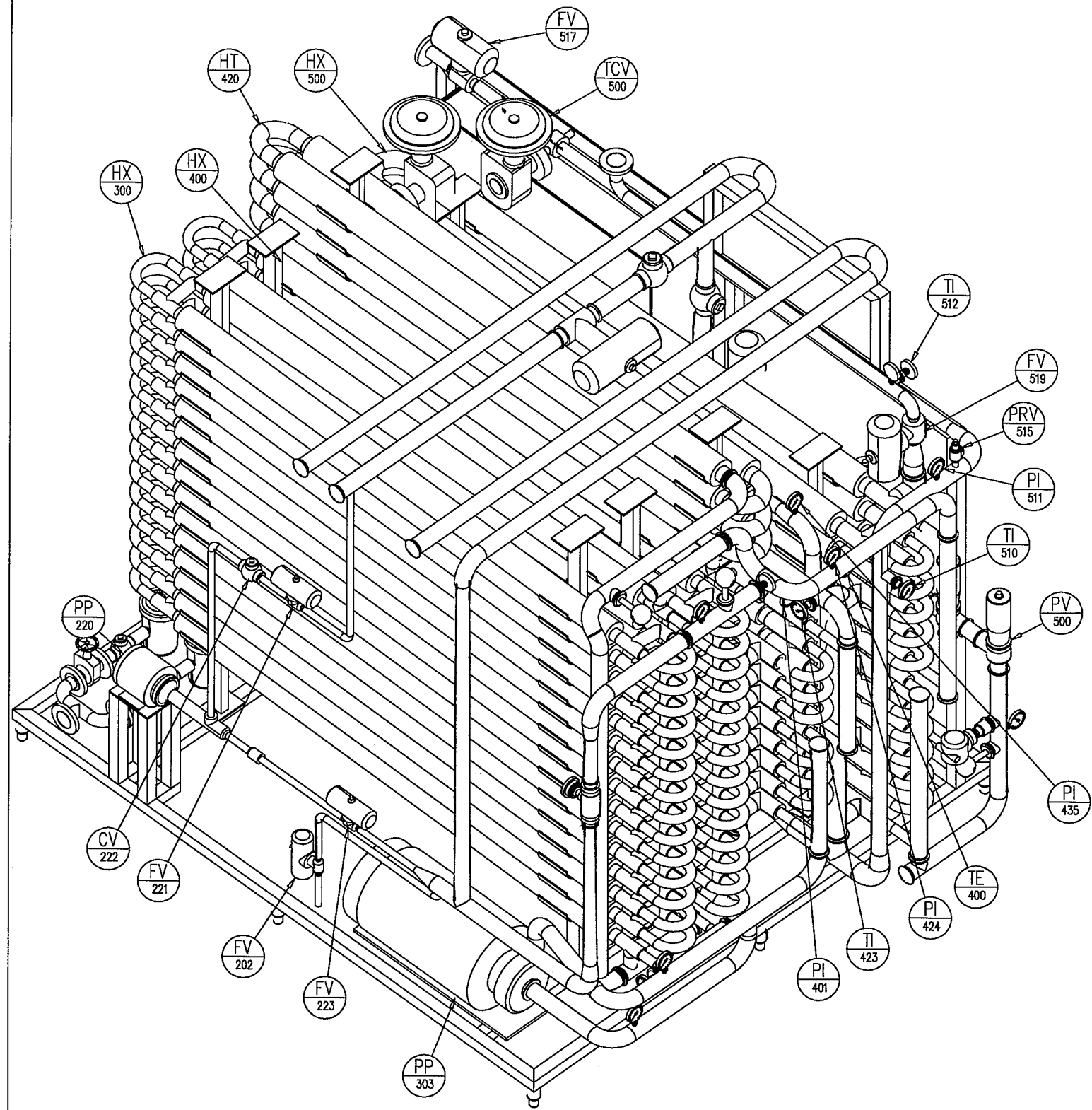


LEFT SIDE VIEW

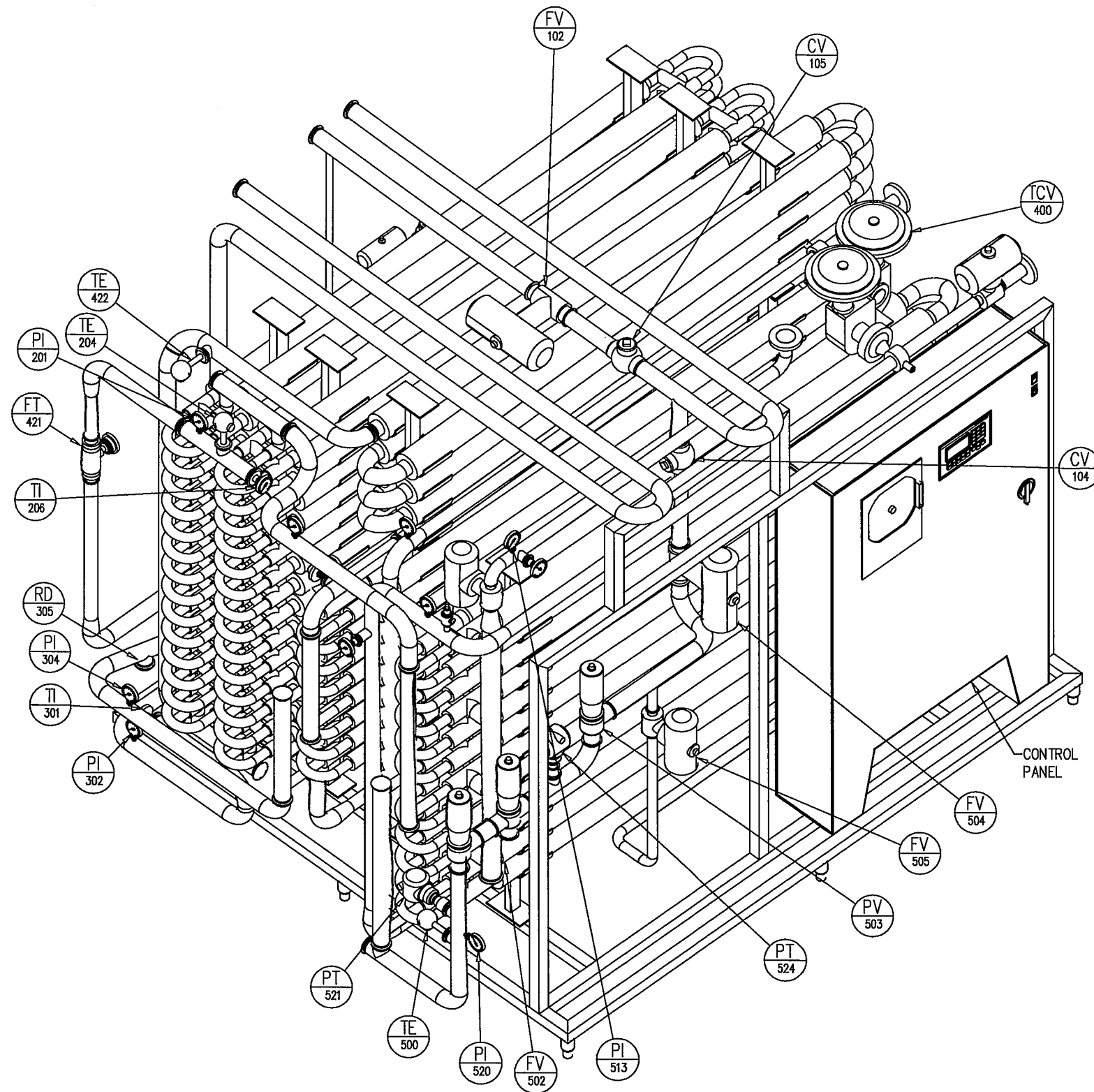


RIGHT SIDE VIEW

FILE NAME: \DWGS\ 00010307		P.O. No.	
<b>FELDMER EQUIPMENT</b> Syracuse, New York			
DRAWN BY:	ENGRG. Approved By	AI	REV
DATE			SHEET: 2 of 4
50 GPM			
ROSS LABS- DOVER BROOK			DRAWING NO.



*LEFT ISOMETRIC*



*RIGHT ISOMETRIC*

NON-VISIBLE EQUIPMENT (SEE PLAN VIEW)

HV 440	HV 442	STR 446	ST 447	CHV 445	HV 443	STR 434
FV 518	HV 430	STR 436	ST 431	CHV 432	HV 433	

FILE NAME: \DWGS\ 00010308		P.O. No.	
<b>FELDMER EQUIPMENT</b> Syracuse, New York			
DRAWN BY:	ENGRG. Approved By	AI	REV
DATE			SHEET: 3 of 4
50 GPM			
ROSS LABS- DOVER BROOK			DRAWING NO.

DEVICE	DESCRIPTION	MFG/SIZE	SANITARY
CV-432	CHECK VALVE	1.0"	NO
CV-445	CHECK VALVE	1.0"	NO
FV -518	AUTO BALL VALVE	1.5"	NO
FV-517	AUTO BALL VALVE	2.0"	NO
FV-519	AUTO BALL VALVE	2.0"	NO
HV-430	MANU. BALL VALVE	1.0"	NO
HV-433	MANU. BALL VALVE	1.0"	NO
HV-440	MANU. BALL VALVE	1.0"	NO
HV-442	MANU. BALL VALVE	1.0"	NO
HV-443	MANU. BALL VALVE	1.0"	NO
PI-435	PRESSURE GAUGE, 0.25" npt	ASHCROFT	NO
PI-511	PRESSURE GAUGE, 0.25" npt	ASHCROFT	NO
PI-513	PRESSURE GAUGE, 0.25" npt	ASHCROFT	NO
PRV-515	PRESSURE RELIEF VALVE, 0.25 npt	KUNKLE	NO
ST-431	STEAM TRAP, Model 813	ARMSTRONG	NO
ST-447	STEAM TRAP, Model 813	ARMSTRONG	NO
STR-434	Y-TYPE STRAINER	1.0"	NO
STR-436	Y-TYPE STRAINER	1.0"	NO
STR-446	Y-TYPE STRAINER	1.0"	NO
TCV-400	TEMP. CONTROL VALVE	1" FISHER	NO
TCV-500	TEMP. CONTROL VALVE	1.5" FISHER	NO
TI-510	THERMOMETER, 0.25" npt	ANDERSON	NO
TI-512	THERMOMETER, 0.25" npt	ANDERSON	NO
CV-104	CHECK VALVE	2.5" 2.0	YES
CV-105	CHECK VALVE	2.5" 2.0	YES
CV-222	CHECK VALVE	1.0"	YES
FT-421	FLOWMETER, 1.5" TC	ROSE.8705/8712	YES
FV-102	AUTO. BALL VALVE	2.0"	YES
FV-202	AUTO BALL VALVE	0.5"	YES
FV-221	AUTO. BALL VALVE	0.5"	YES
FV-223	AUTO. BALL VALVE	0.5"	YES
FV-500	AUTO THROTTLING	1.5" , Cv 40	YES
FV-502	AUTO. CROSS BODY	2.5"	YES
FV-503	AUTO. THROTTLING	1.5" , Cv 40	YES
FV-504	AUTO. BALL VALVE	2.0"	YES
FV-505	AUTO. BALL VALVE	2.0" 1.0"	YES
HV-106	MANU. BALL VALVE	0.5"	YES
HX-300	REGENERATOR	MODEL 215	YES
HX-400	HEATER	MODEL 252	YES
HX-420	HOLDING TUBE	2.5"	YES
HX-500	COOLER	MODEL 252	YES
PI-201	PRESSURE GAUGE, 1.5 " TC	ANDERSON	YES
PI-302	PRESSURE GAUGE, 1.5 " TC	ANDERSON	YES
PI-304	PRESSURE GAUGE, 1.5 " TC	ANDERSON	YES
PI-401	PRESSURE GAUGE, 1.5 " TC	ANDERSON	YES
PI-424	PRESSURE GAUGE, 1.5 " TC	ANDERSON	YES
PI-520	PRESSURE GAUGE, 1.5 " TC	ANDERSON	YES
PT-521	PRESS. TRANSMITTER, 1.5" TC	ROSE. 305IT	YES
PT-524	PRESS. TRANSMITTER, 1.5" TC	ROSE. 305IT	YES
RD-305	RUPTURE DISK, 1.5" TC		YES
TI-206	THERMOMETER, 1.5 "TC	ANDERSON	YES
TI-301	THERMOMETER, 1.5 "TC	ANDERSON	YES
TI-423	THERMOMETER, 1.5 "TC	ANDERSON	YES
TT-400	TEMP. TRANSMITTER, 1.5" TC	ROSE. 644R	YES
TT-422	TEMP. TRANSMITTER, 1.5" TC	ROSE. 644R	YES
TT-500	TEMP. TRANSMITTER, 1.5" TC	ROSE. 644R	YES
TT-204	TEMP. TRANSMITTER, 1.5" TC	ROSE. 644R	YES
PP-220	DOSING PUMP	MOYNO, 1.1 GPM	
PP-303	CENTRIFUGAL PUMP W # 70/40, 20HP	APV	

\* placement position will vary

FILE NAME: \DWGS\ 00010308		P.O. No.	
<b>FELDMEIER EQUIPMENT</b> Syracuse, New York			
DRAWN BY:	ENGRG. Approved By	AI	REV
DATE			SHEET: 4 of 4
50 GPM			
ROSS LABS- DOVER BROOK			DRAWING NO.