

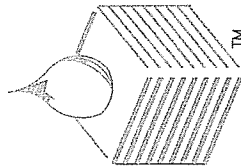
MODULAR FIBERGLASS COOLING TOWER

KRAFT FOODS
BENTONVILLE, AR

MODULAR FIBERGLASS COOLING TOWER
TWO MODEL NUMBER TTXT-84-319
PURCHASE ORDER NUMBER: D-6776

DRAWING INDEX

1	TITLE PAGE
2	GENERAL NOTES PAGE
3	PLAN AND ELEVATION
4	ANCHOR PAD LAYOUT
5	ANCHOR FOOT DETAIL
6	J-BOX & CONDUIT LAYOUT
7	CLEAN OUT PORT DETAIL
8	OVERFLOW/EQUALIZATION DETAIL
9	RIGGING INSTRUCTIONS
10	SUMP DETAIL SHEET




TOWER TECH, Inc.
The Technology Company

Telephone 405-290-7788 FAX 405-979-2131
E-MAIL: cad@towertechinc.com
WEB PAGE: <http://www.towertechinc.com>
P.O. Box 891810
Oklahoma City, Oklahoma 73189-1810

Copyright © 1998 Tower Tech, Inc.
U.S. and Foreign Patents Pending
All Rights Reserved

July 15/99


TOWER TECH, Inc.
 THE TECHNOLOGY COMPANY
 TELEPHONE: (405) 290-7788
 FAX: (405) 979-2131
 E-MAIL: cad@towertechinc.com
 WEBSITE: <http://www.towertechinc.com>
 P.O. BOX 891810
 OKLAHOMA CITY, OKLAHOMA 73189-1810

MODULAR
 FiberGlas
 COOLING TOWER
 MODEL# TTXT-04
 © 1998 BY TOWER TECH, INC.

TITLE PAGE

FOR APPROVAL BY	DATE
TOWER TECH	
REVISIONS	
NO.	DATE

DATE:	07/27/99
DRAWING:	31231-1
PROJECT#:	515250
CUSTOMER:	P-979
DRAWN BY:	RS
CHECKED BY:	
	1

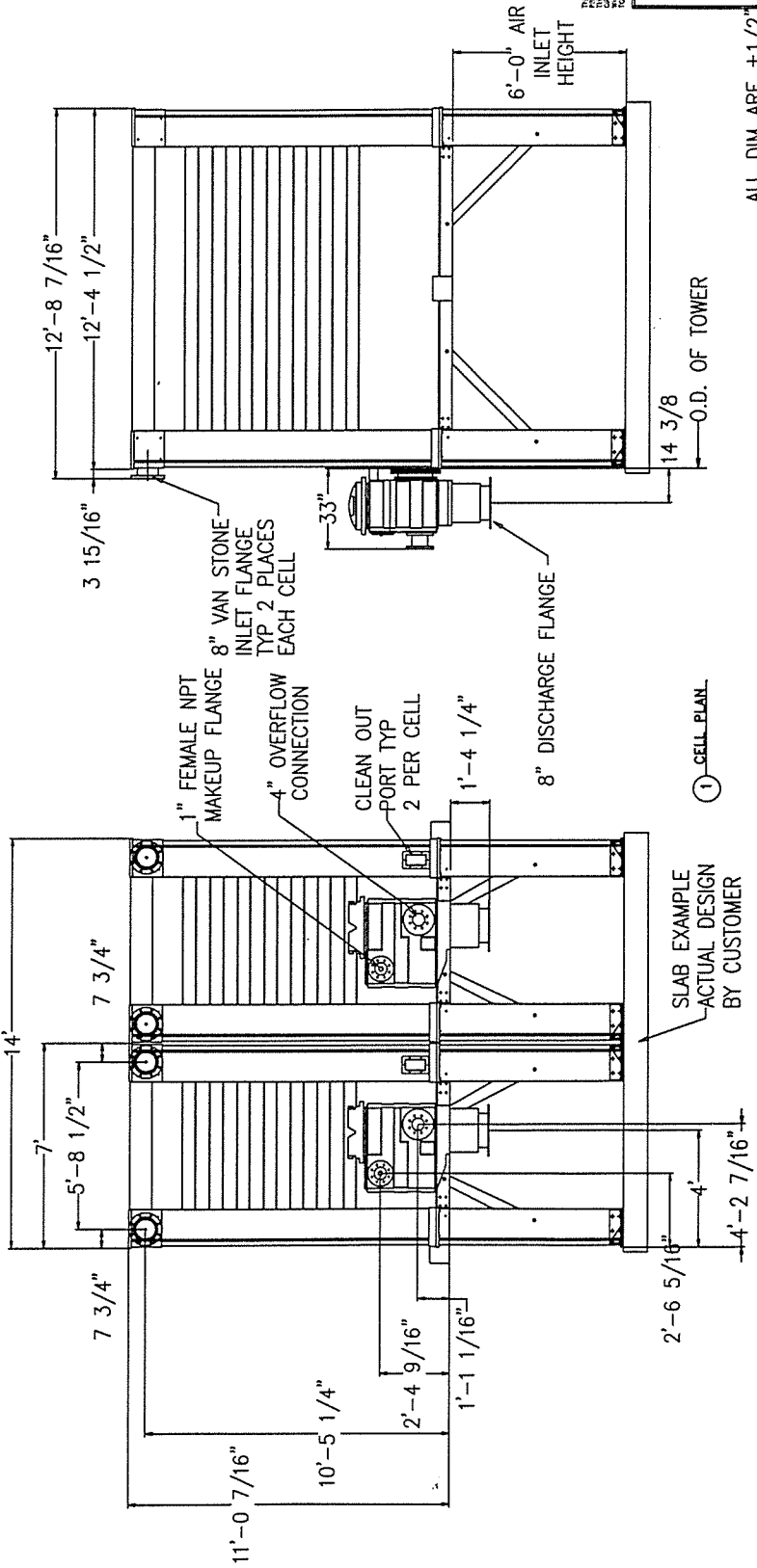
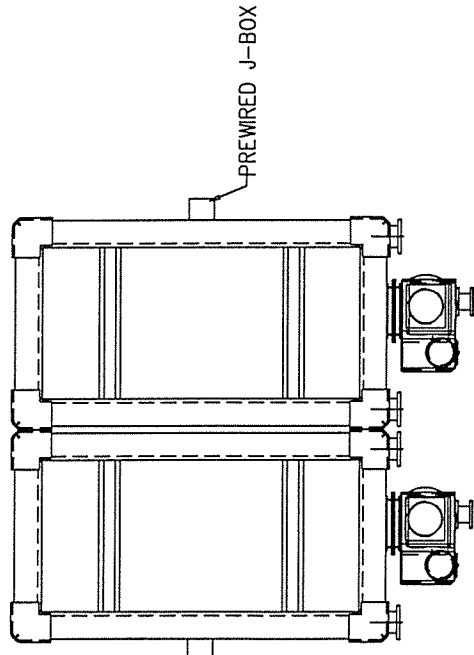
TOWER TECH, Inc.
 THE TECHNOLOGY COMPANY
 TELEPHONE: (405) 280-7726
 FAX: 888/777-7777
 E-MAIL: info@towertechinc.com
 WEBSITE: www.towertechinc.com
 OFFICE: 1119 W. WILSON BLVD., SUITE 100
 BOX 691610
 HOMA CITY, OKLAHOMA 73159-1210

©1998 BY TOWER TECH, INC.
 BENTONVILLE, AZ
KRAFT FOODS
2 UNIT INSTALLATION
 Model # TTF-84
 Cooling Tower
 Modular
 Fiberglass

FOR APPROVAL BY _____ DATE _____
 TOWER TECH _____
 REVISIONS _____
 MO. DATE REVISION _____

DATE:	02/01/98
DRAWING:	84T201-3
PROJECT:	STANDARD
CUST. P.O.#:	D-4776
DRAWN BY:	RS
CHECKED BY:	
PLAN & ELEVATION:	3

GENERAL INFORMATION:
 TOWER DATA:
 TOTAL GPM - 500
 HWT - 95.00
 CWT - 85.00
 WBT - 78.00
 MOTOR DATA: BALDOR
 EFFICIENCY - HIGH
 HP - 7.5
 VOLT - 460
 HZ - 60
 PHASE - 3
 NUMBER PER CELL - 2
 OVERFLOW/EQUALIZATION CENTER LINE IS AT 31".
 CUSTOMER TO SUPPLY SHIPON BREAKER ON OVERFLOW PIPING.
 ALL PIPING CONNECTIONS ARE TO BE FIELD VERIFIED BY CUSTOMER.
 ALL EXTERNAL PIPING PROVIDED BY CUSTOMER
 EXTERNAL PIPING TO BE SUPPORTED INDEPENDENT OF TOWER
 NO LOAD TO BE APPLIED TO TOWER TECH TOWER OR SUMP



① CELL PLAN

ALL DIM ARE ±1/2"

PROPERTY OF TOWER TECH, INC.
 THIS DRAWING IS THE PROPERTY OF TOWER TECH, INC.
 IT IS TO BE USED ONLY FOR THE PROJECT AND SITE SPECIFICALLY IDENTIFIED ON THIS DRAWING.
 IT IS NOT TO BE REPRODUCED OR TRANSMITTED IN ANY FORM OR BY ANY MEANS, ELECTRONIC OR MECHANICAL, INCLUDING PHOTOCOPYING, RECORDING, OR BY ANY INFORMATION STORAGE AND RETRIEVAL SYSTEM.