

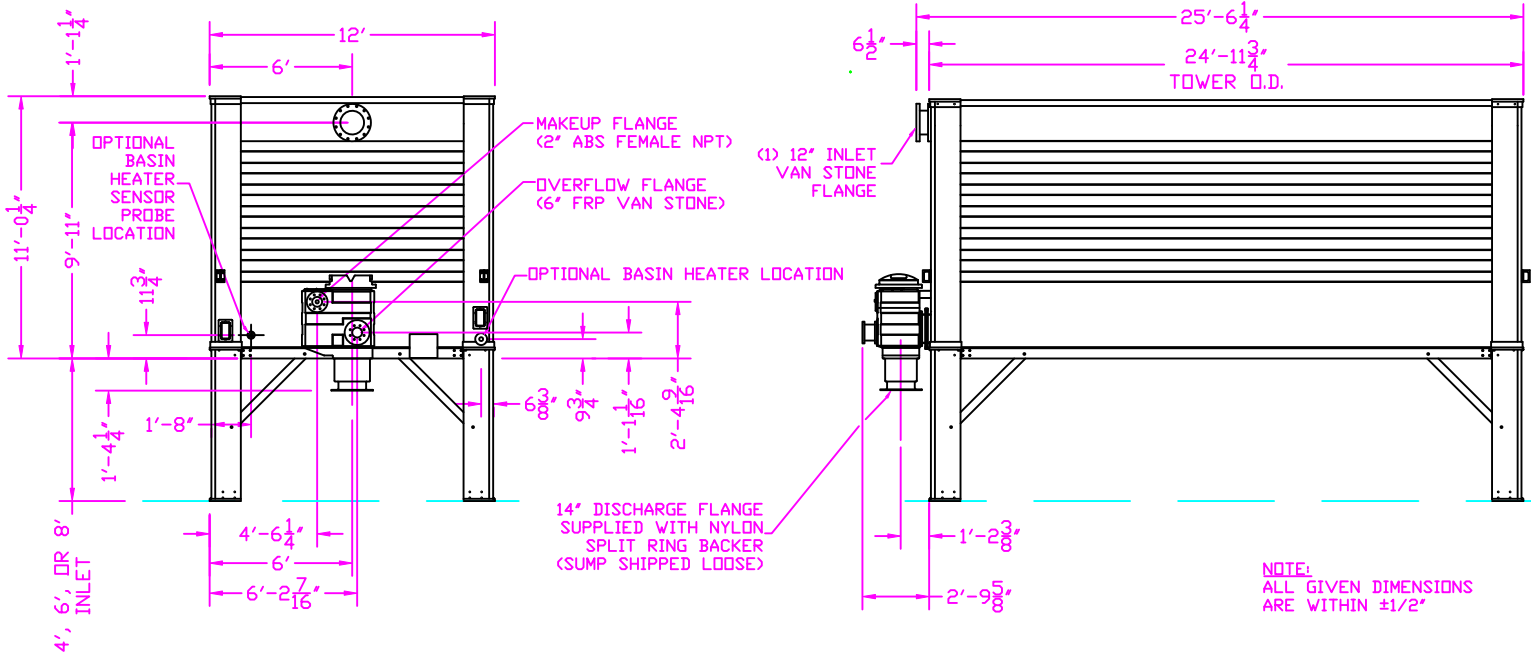
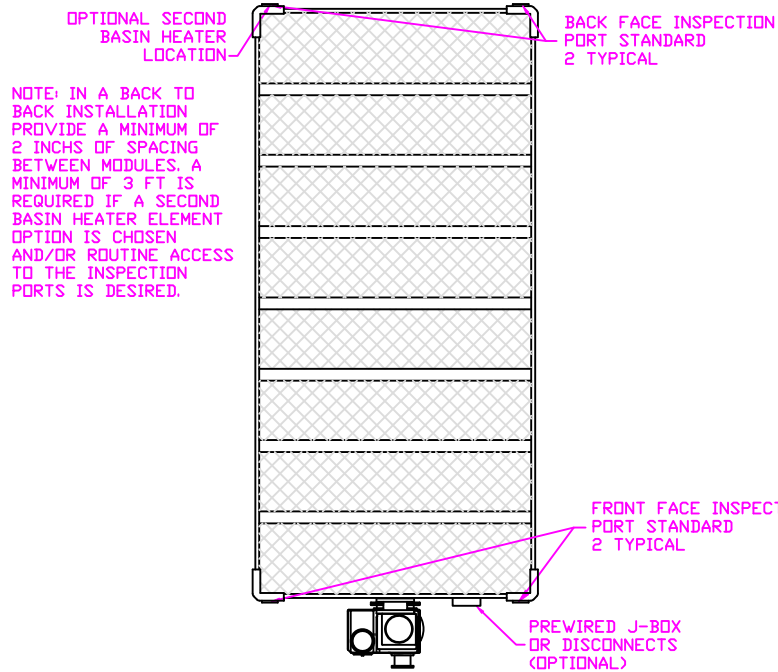
GENERAL INFORMATION:

BASIC DATA (PER CELL):  
 MIN/MAX GPM RANGE - 800/2,400  
 ACTUAL DESIGN GPM -  
 HWT(\*F) -  
 CWT(\*F) -  
 WBT(\*F) -

MOTOR DATA (PER CELL):  
 BRAND - U.S. MOTOR (OR EQUIV)  
 EFFICIENCY - HIGH  
 HP - 7.5/5.0/3.0  
 VOLTAGE - 460  
 HZ - 60  
 PHASE - 3  
 NUMBER - 8

WEIGHTS (PER CELL):  
 DRY SHIPPING WEIGHT - 13,950 lbs  
 OPERATING WEIGHT - 25,090 lbs

1. ALL EXTERNAL PIPING PROVIDED BY CUSTOMER.
2. EXTERNAL PIPING TO BE "STAND ALONE" (INDEPENDENTLY SUPPORTED).
3. NO LOAD TO BE APPLIED TO TOWER TECH TOWER OR SUMP.
4. FOR APPROPRIATE WATER LEVEL REFER TO STARTUP SECTION IN TOWER TECH'S DESIGN, INSTALLATION & OPERATION MANUAL.



Modular  
 Fiberglass  
 Cooling Tower  
 Model # TTXE-08

**TOWER TECH., INC.**  
**1-Unit Installation**  
**TTXE-08 Plan/Elevation**

FOR APPROVAL BY	DATE		
Tower Tech Design Team	01 JUN 08		
REVISIONS	NO.	DATE	REVISION

DATE:	20 NOV
DRAWING#:	XE-08-
PROJECT#:	LIBRARY
CUST PO#:	
DRAWN BY:	RFB
CHECKED BY:	
Plan & Elevation	<b>2</b>